

## YUME ESPOIR YUME SUITE YUME NOBLE

# Installation Instructions

### ■ YUME ESPOIR

### ■ YUME SUITE

### ■ YUME NOBLE

#### ○ Basin body

EX-ESYM\* [For Back wash (same as YUME basin)]

#### ○ Seat body

SC-ESF\* [ESPOIR Fixed Legrest]

SC-ESL\* [ESPOIR Movable Legrest]

SC-YMSIN\* [SUITE]

#### ○ Seat

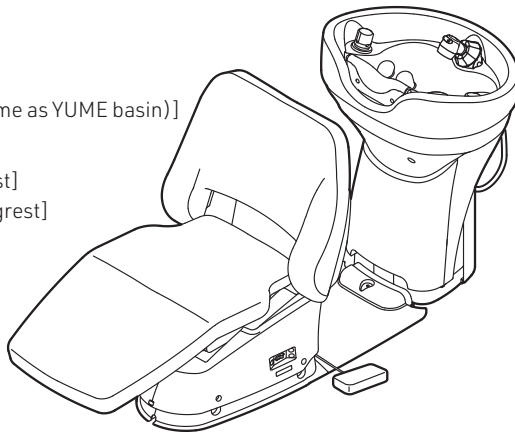
SU-ESB\* [ESPOIR Basic]

SU-YMSI\* [SUITE]

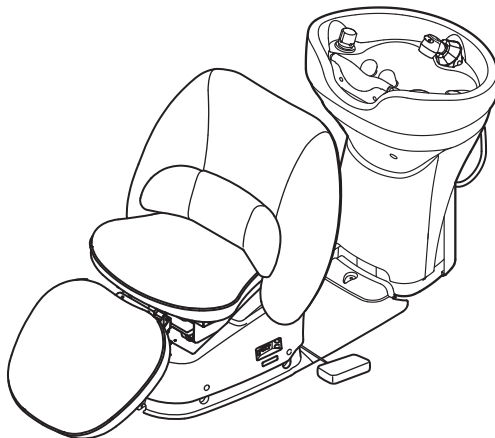
SU-YMNB\* [NOBLE]

#### ○ Base plate

EA-ESBP



(Image is of EX-ESYM\*/SC-ESF\*/SU-ESB\*/EA-ESBP)



(Image is of EX-ESYM\*/SC-YMSI\*/SU-YMSI/EA-ESBP)



(Image is of EX-ESYM\*/SC-YMSI\*/SU-YMNB\*/EA-ESBP)

### Contents

Before installation	2
Usage conditions	7
Content of Packing	8
Carrying the main body	13
Installation of main body	14
1 Install the basin	14
2 Attach piping	16
3 Checks after installation of pipes	17
4 Install the seat	18
5 Remove PP band	20
6 Fix legrest and link	20
7 Wiring	21
8 Attach base cover	22
9 Check operation (1)	
(after assembling the seat)	23
10 Attach backrest and seat	24
11 Check operation (2)	
(after attaching the backrest and seat)	25
After installation	26
Attach neck cushion	26
Attach hair catcher and drain cap	27
Main body attachment diagram	28

#### To the installer

- The instructions should be thoroughly read and understood before installation to ensure that the product is installed correctly.
- After installation, give these instructions to the customer.

#### To the customers

- Customers must not install the product by themselves.
- Customers must store these instructions in a safe place so as not to lose them.

\* The actual shape of the product and the images and dimensions listed in these instructions may be modified and are subject to change without notice.

- The precautions listed here are to ensure that the product can be installed safely, and to prevent any danger or risk to the person installing the product or those around them. All of these precautions are important for safety. Takara Belmont is not responsible for any damage or risk to the person installing the product or those around them due to accidents if the product is installed without adhering to the precautions.

#### ⚠ Precaution

If the product is installed after ignoring this symbol, "there is the risk of light or moderate injury or physical damage".

# Before installation

[Unit : mm]

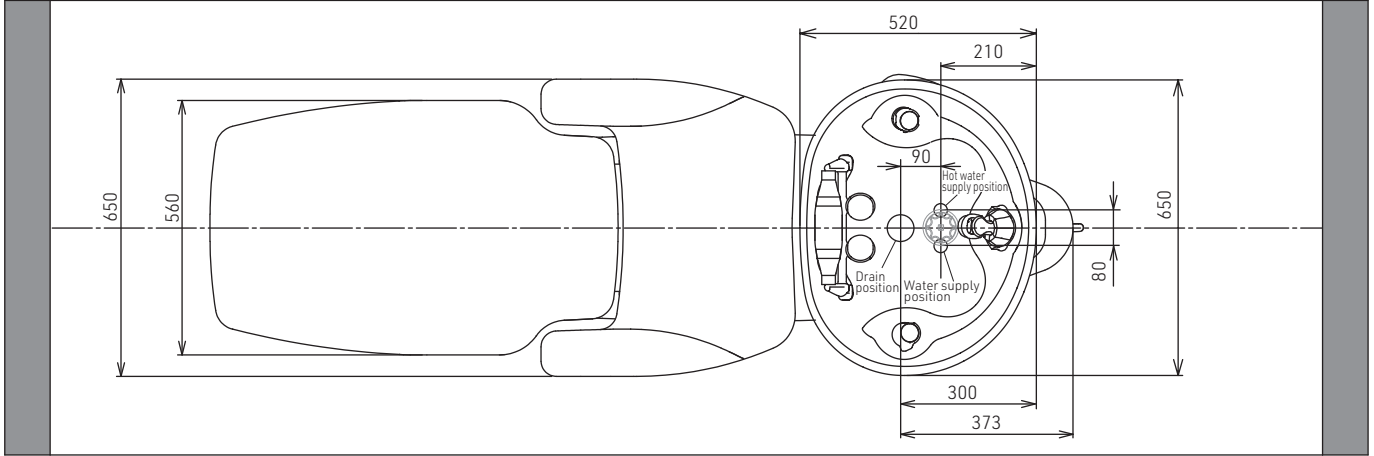
## Overall layout diagram : YUME ESPOIR

Basin body: EX-ESYM\* [For Back wash (same as YUME basin)]

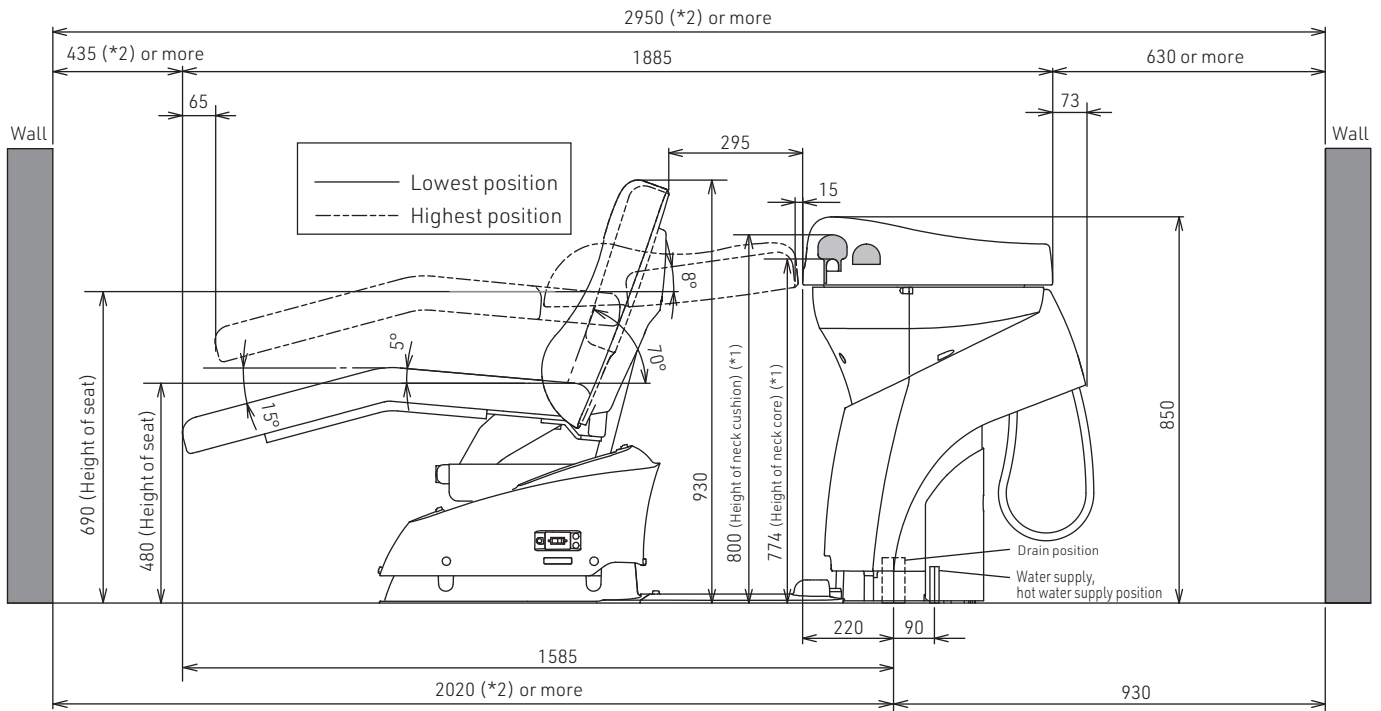
Seat body: SC-ESBF [ESPOIR fixed legrest]

Seat: SU-ESB[ESPOIR Basic]

### ■ Top view

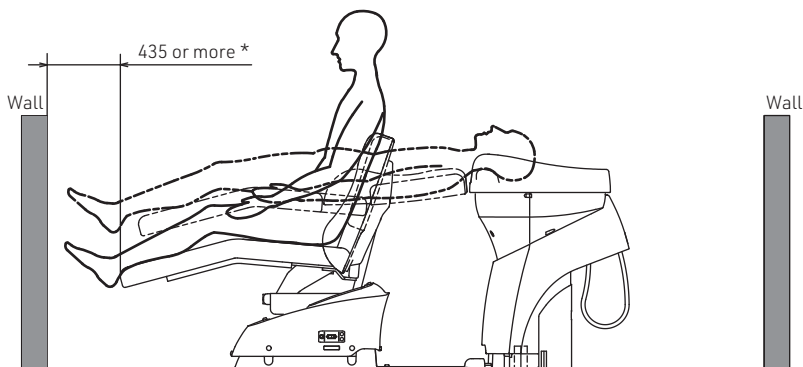


### ■ Side view



\*1 The dimensions listed above may vary slightly from product to product.

\*2 Ensure that there is ample space surrounding the seat for extremely tall customers or if the surrounding area is used as a passageway.



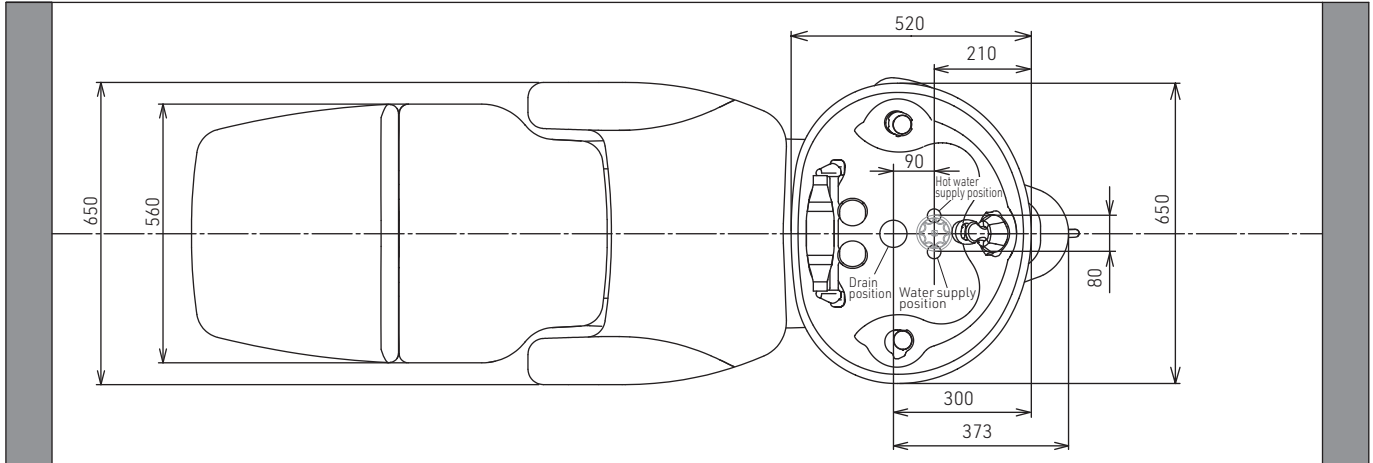
## Overall layout diagram : YUME ESPOIR

Basin body: EX-ESYM\* [For Back wash (same as YUME basin)]

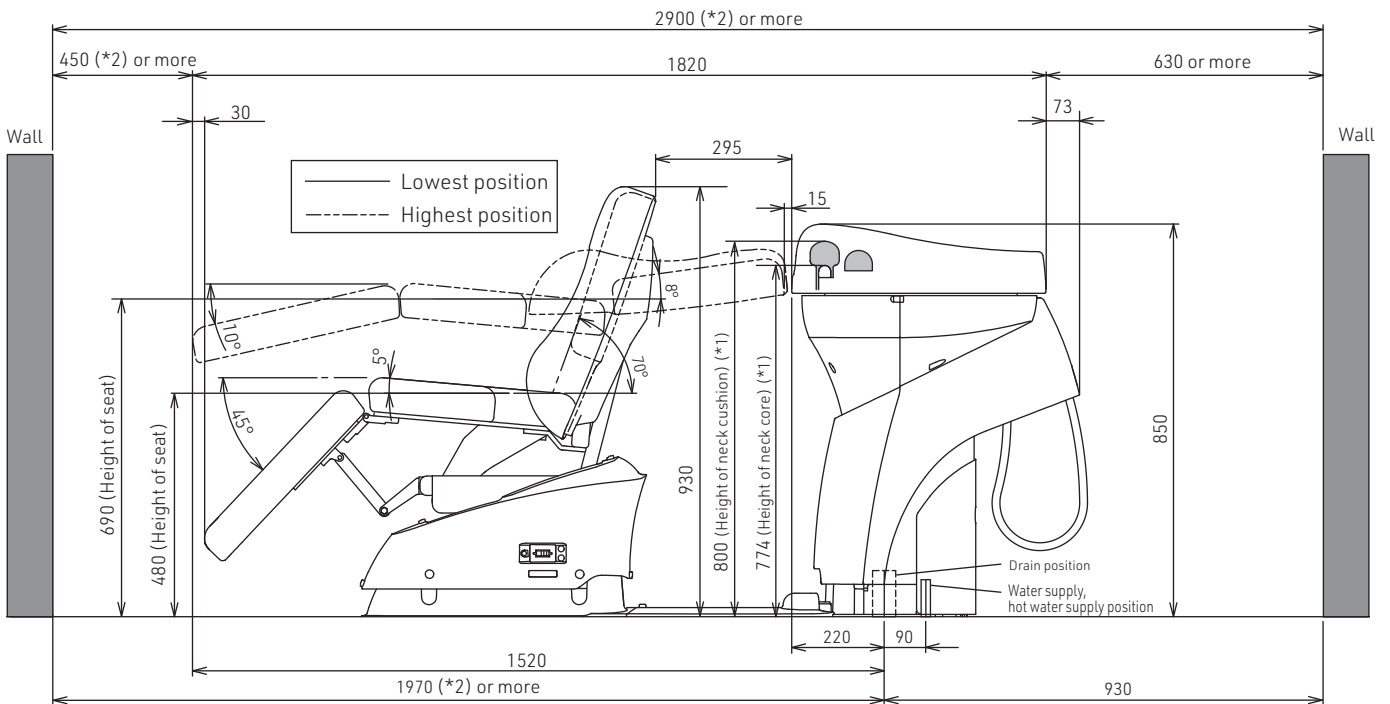
Seat body: SC-ESBL [ESPOIR Movable legrest]

Seat: SU-ESB [ESPOIR Basic]

### ■ Top view

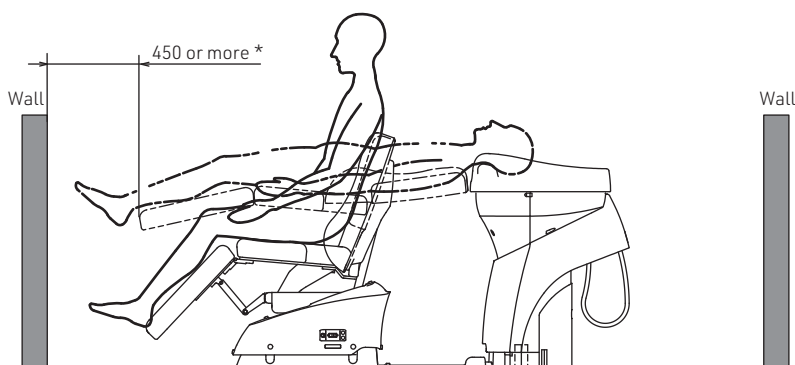


### ■ Side view



\*1 The dimensions listed above may vary slightly from product to product.

\*2 Ensure that there is ample space surrounding the seat for extremely tall customers or if the surrounding area is used as a passageway.



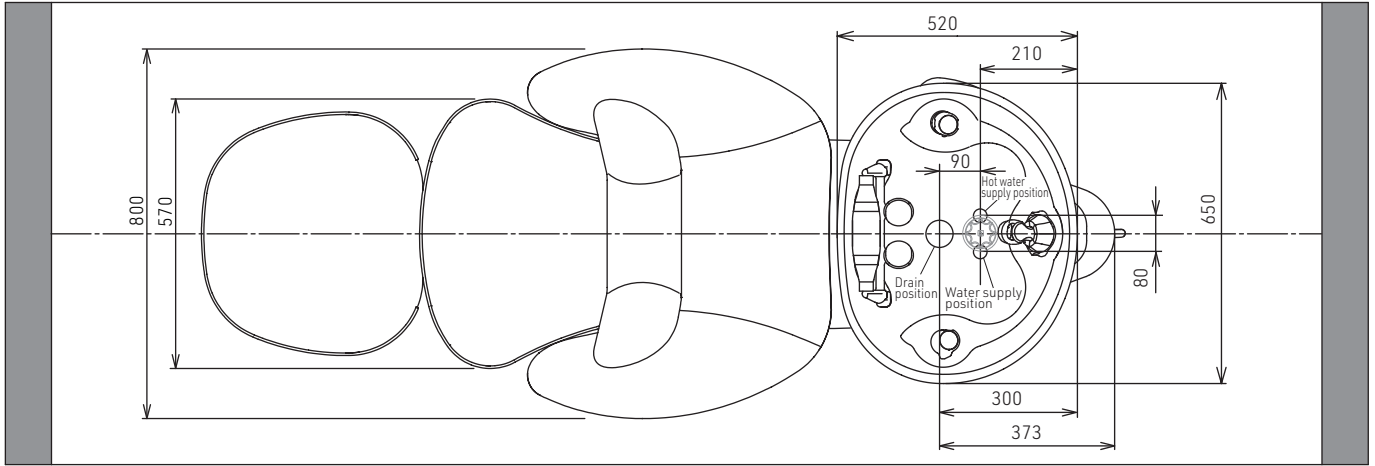
# Overall layout diagram : YUME SUITE

Basin body: EX-ESYM\* [For Back wash (same as YUME basin)]

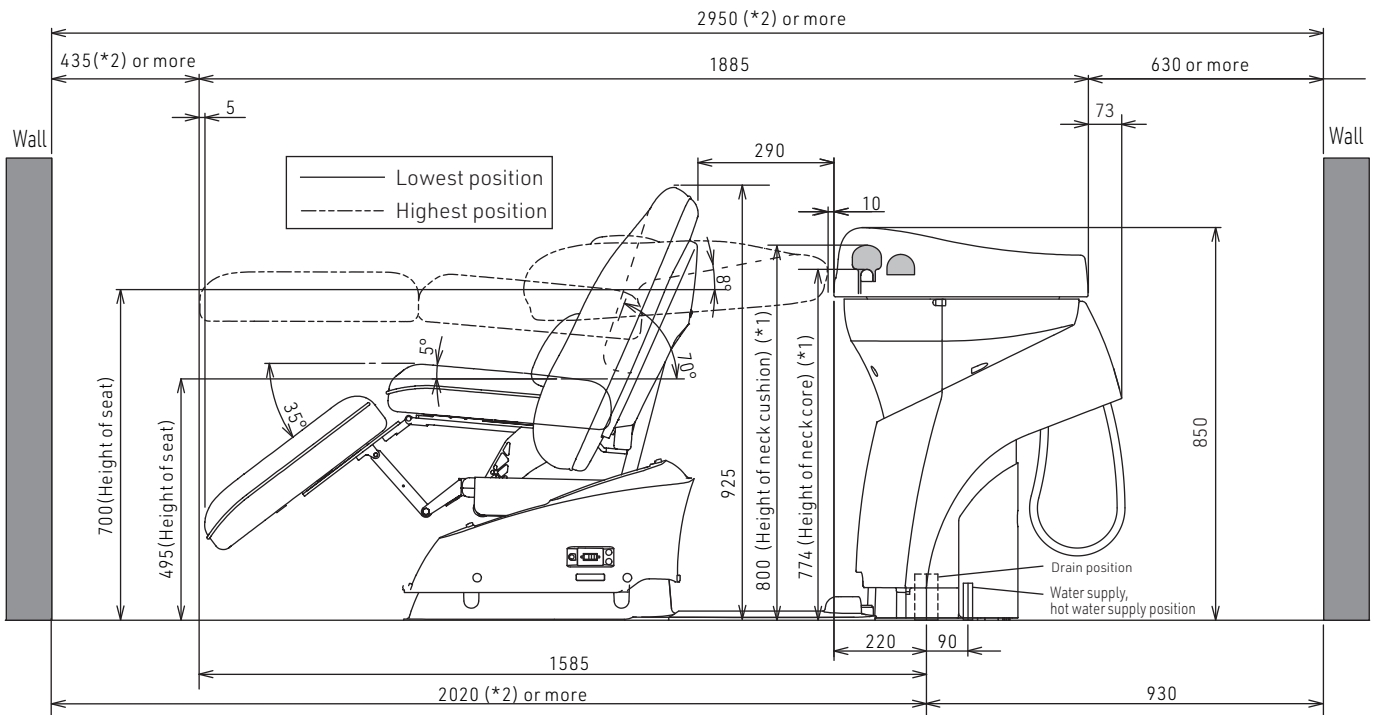
Seat body: SC-YMSI [SUITE]

Seat: SU-YMSI [SUITE]

## ■ Top view

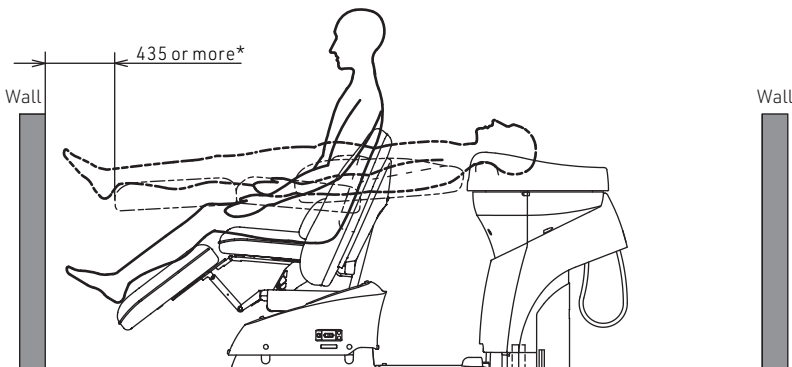


## ■ Side view



\*1 The dimensions listed above may vary slightly from product to product.

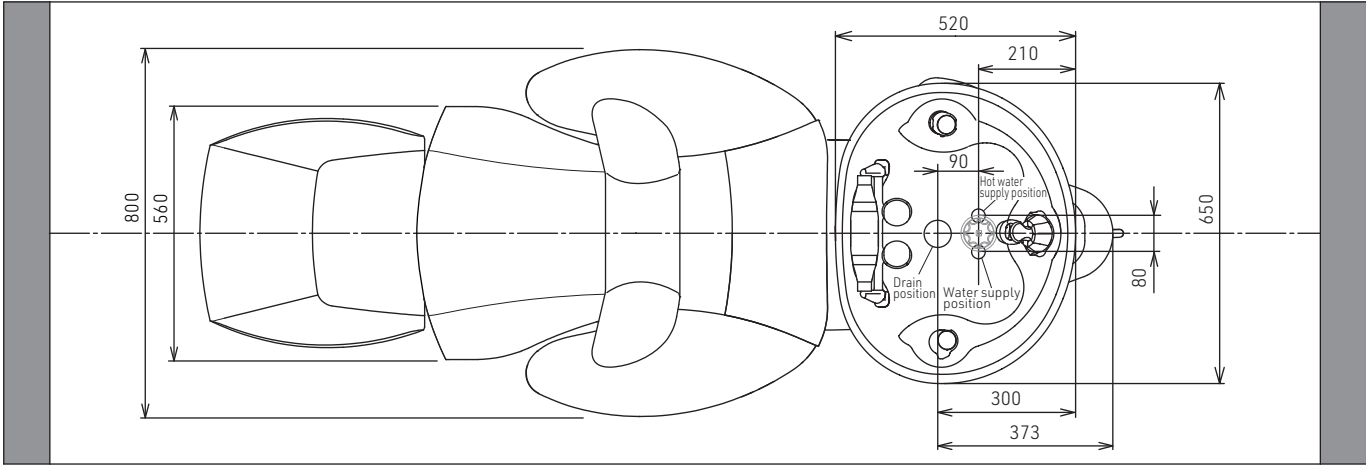
\*2 Ensure that there is ample space surrounding the seat for extremely tall customers or if the surrounding area is used as a passageway.



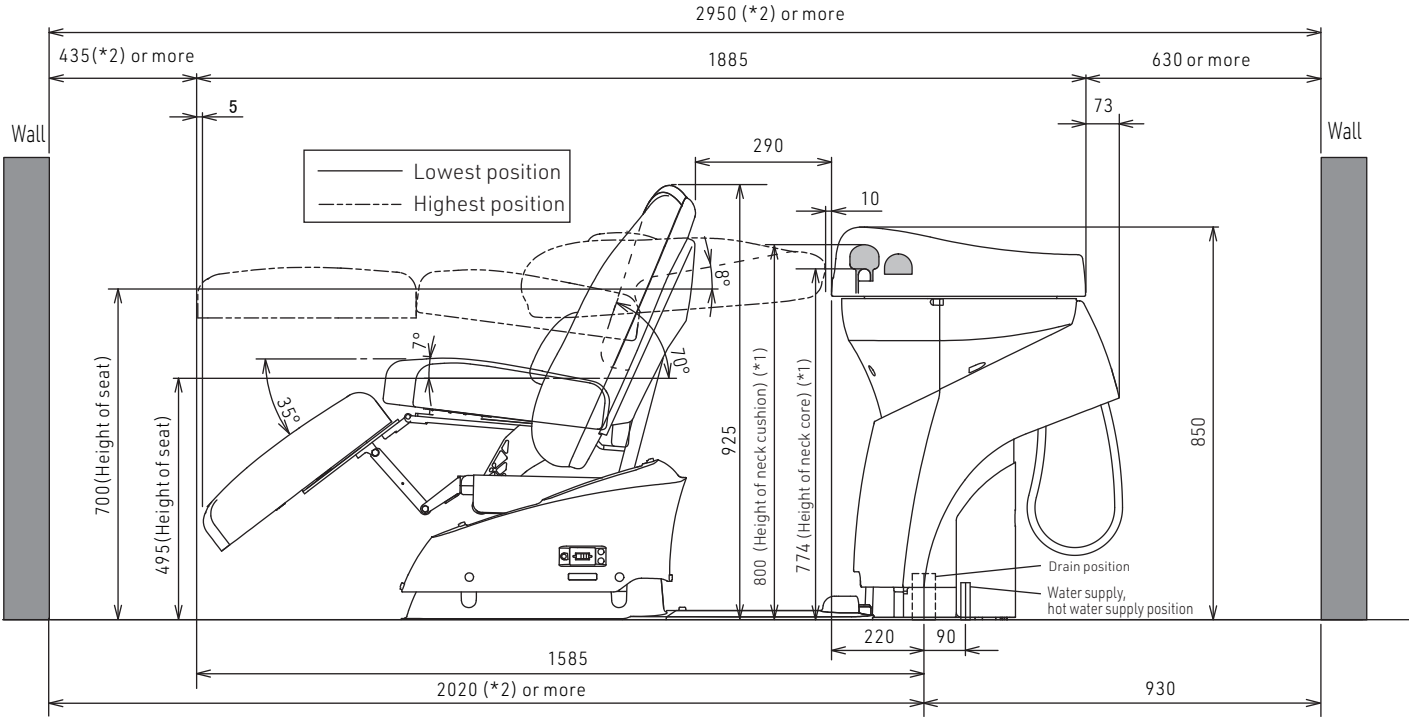
# Overall layout diagram : YUME NOBLE

Basin body: EX-ESYM\* [For Back wash (same as YUME basin)]  
 Seat body: SC-YMSI [SUITE]  
 Seat: SU-YMNB [NOBLE]

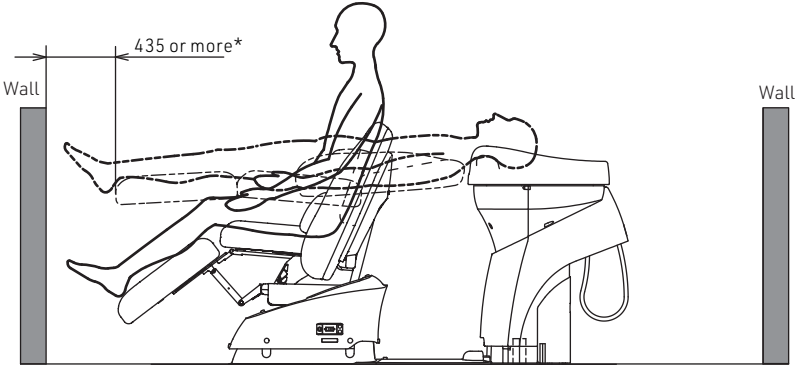
## ■ Top view



## ■ Side view



\*1 The dimensions listed above may vary slightly from product to product.  
 \*2 Ensure that there is ample space surrounding the seat for extremely tall customers or if the surrounding area is used as a passageway.



## ■Power

To turn the power on, install the C-4 plug.

When the plug is changed due to a reason related to the customer, install a power plug that is suitable for the product.

[Rated current]	[Rated frequency]	[Rated electricity consumption]
230V Specifications	50/60Hz	1.9/1.6A

## ■Connecting to ground

To prevent accidents from occurring in the unlikely event of electrocution, and to improve noise resistance within control circuits, always install the ground designed for this product.

### ●Do not connect the ground cable to any of the following:

- Water pipes: any PVC pipes within the plumbing system will prevent a proper ground connection.
- Gas pipes: there is a risk of an explosion or fire.
- Telephone cables, lightning rods: there is a risk of a large current if there is a lightning strike.



### Precaution

#### Handling power plugs

Check the power plugs are free from dust, and insert the plug all the way to the base so that there is no rattle. Dusty power plugs or improper connections can cause electrocution or fires.

#### Handling power cables

Do not subject power cables to excessive forces, modify, twist or bend them. Power cables can become severed if they are placed under heavy objects or become trapped within tight areas, and can cause electrocution or fires.

#### Handling power outlets

Use power outlets for one appliance only, and always connect the ground terminal. The use of multi-outlet extension cords can generate heat where the power outlet is divided, and can cause fires.

#### Handling circuit breakers and fuses

Always install a circuit breaker and fuse with the power outlet. Check that the white cable is neutral, and that the circuit breaker and fuse are connected properly to the neutral side of the power outlet. Installing circuit breakers off users incorrectly can cause electrocution.

#### Remove the power plug during inspections

Remove the power plug before conducting inspections or adjusting settings within the main body of this product. Coming into contact with electrical part while the power is connected may cause electrocution.

## ■Floor surface

- Ensure that the material or finishing of the floor surface is waterproof or has a waterproof coating applied.
- Always ensure that the floor surface is horizontally level.
- Ensure that the floor surface is smooth and free from bumps around the attachment areas.
- Installing pipes

[Pipe specifications]

Hot water supply, water supply	Rc 1 / 2"
Drain	VU40 / VP40

[Height from floor]

\* Only height H is available for the Back Wash basin

	Underfloor pipe specifications
Hot water supply, water supply	100 mm
Drain	100 mm

○If the floor surface is tiled, cracks may occur when fastening the bolts during installation of this product main body. If this looks likely to happen, use the main body attachment diagram and template as a reference and change the material of the attachment area that is in contact with the floor to another such as plywood or mortar.

Take care during installation as the entire base surface of the seat body is not in contact with the floor.

○The following levels of strength are required for the floor surface.

Wooden floor	Plywood thickness of 30 mm or more (two 15 mm sheets joined together)
Mortar floor	Mortar thickness of 50 mm or more
Special floor (stone finish)	A foundation with levels of strength listed above around the installation areas is required.

## ■Preventing water leakage

○If this product is to be installed upstairs, ensure that the installation area has been coated with waterproof materials (waterproof finish, installation of a stainless steel pan or a water leakage sensor).

○Fill the space between the installation area and pipe with caulking materials.

## ■ Installation of pipes

The following are important points to adhere to during the installation of pipes.

Read through the details carefully and ensure that the pipes are installed correctly.

- When installing this product, ensure that installation of pipes adheres to the instructions outlined in "Precautions during installation of pipes". Installing pipes without reading through the precautions will mean water may not mix properly, and a set temperature will not be achieved.
- This product is designed for indoor installation. Always install this product indoors.

## ■ Precautions during installation of pipes

- Do not use pipes made of materials that may introduce rust for the water supply pipe.  
In general, VP pipes or other materials specified by regulations in that particular region, are recommended for installation.
- In general, Type L deoxidized copper pipes are recommended for hot water pipes.
- In general, the same diameter and same pressure is recommended for hot water pipes and water supply pipes.
- Always use a reamer to deburr the ends of cut pipes.
- Avoid using inverted U-shaped pipes (siphon) as these can cause air to become trapped.
- Always connect hot water pipes and water supply pipes after removing all contaminants such as dirt, sand and oil as these can cause problems.
- After connecting the pipes and testing water flow, clean the filter and shower head.
- Ensure that the drain pipe is installed at a gradient of 1/50 for a diameter of  $\phi 75$  or less, or 1/100 for a diameter of  $\phi 75$  or more.
- Do not connect the hot water pipes and water supply pipes in reverse.  
Connecting pipes in reverse will mean the temperature of water cannot be controlled properly by the water taps, which can cause problems including burns.
- Ensure that the hot water pipes from water boilers are only run over a short distance so as to minimize resistance.  
Longer pipes can cause fluctuations in temperature and poor hot water delivery.
- Always wrap pipes with lagging material after installation is complete.
- Water boiler pipes
  - In general, the same diameter and same pressure is recommended for main hot water pipes and main water supply pipes.
- Equipment comes with hair catchers installed.

# Usage conditions

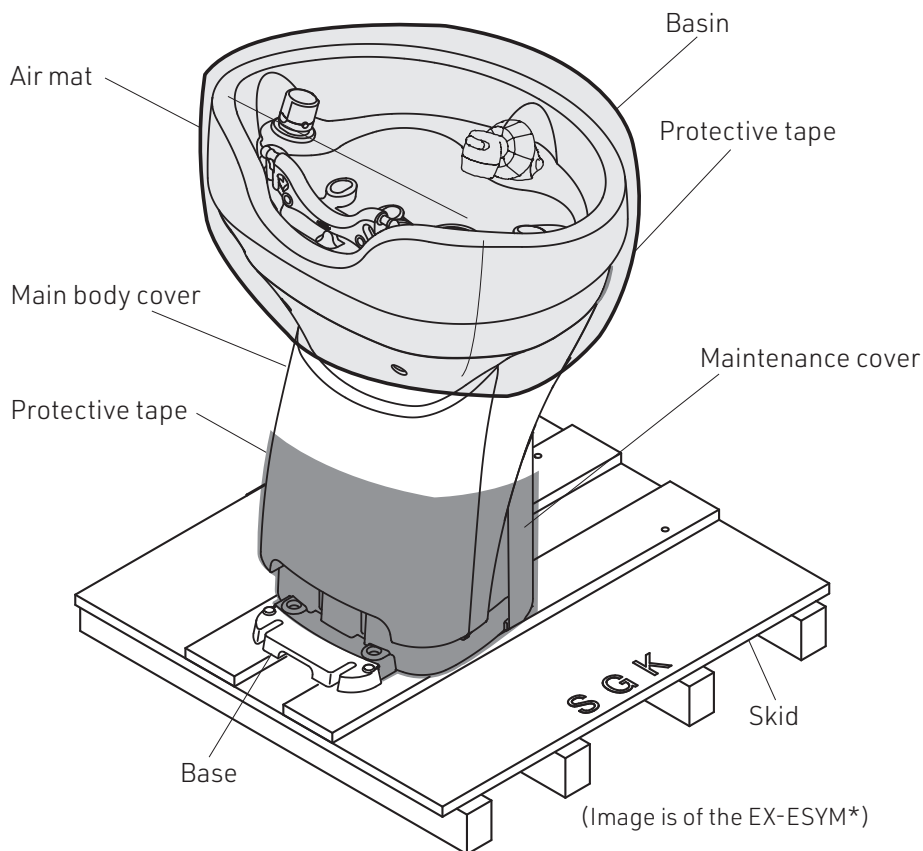
## ■ Hot water supply and water supply conditions

Water used	<ul style="list-style-type: none"> <li>• Public water supply (do not use non-drinkable well water or water that contains rust or sand.)</li> <li>• If the water hardness is 80 ppm or higher, install a water softener to prevent the buildup of scale within the basin body. Aeration may be minimal when using shampoo even if drinkable well water is used, so a water softener should be installed.</li> </ul>
Hot water supply, water supply pressure	<ul style="list-style-type: none"> <li>• Use a pressure set between 0.1 to 0.4 MPa (1 to 4 kgf/cm<sup>2</sup>). If multiple units of this product are used, ensure that the pressure does not drop below 0.1 MPa (1 kgf/cm<sup>2</sup>).</li> <li>• Set the water supply pressure <math>\geq</math> hot water supply pressure.</li> <li>• Set the difference between the hot water supply pressure and water supply pressure to within 0.2 MPa (2 kgf/cm<sup>2</sup>).</li> </ul>
Hot water temperature into the product	<ul style="list-style-type: none"> <li>• Set the hot water temperature to 80 °C or less.</li> <li>• Set the temperature 10 °C or higher than the shower temperature used.</li> </ul>
Water boiler	<ul style="list-style-type: none"> <li>• Do not use steam with the hot water supply.</li> </ul>

# Content of Packing

## <Basin body>

### ■ Content of packaging



\* The Urea screws are held down the main body with the maintenance cover.  
(Urea screw M5 × 15)



### Precaution

An air mat is attached to the basin, and protective tape applied to the main body cover. In order to protect the basin and main body cover, do not remove these until immediately before installation of the pipes.

## ■ Accessories

• Drain cap



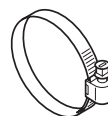
• Hair catcher



• Cushion tape



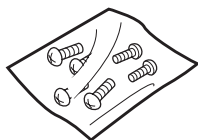
• Drain hose clamp



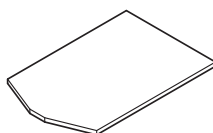
• Drain hose gasket



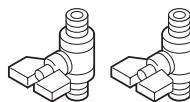
• Basin body floor fixing screw set



• Pipe gasket (sponge)



• Water stop valve (2)

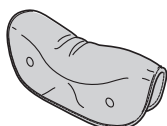


• Flexible pipe (2)

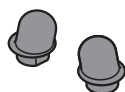


(L = 150 mm)

• Neck cushion



• Head pillow (1 set)



• Sponge

Thin hose : Inside diameter  $\phi$ 13.5  
Thick hose : Inside diameter  $\phi$ 18



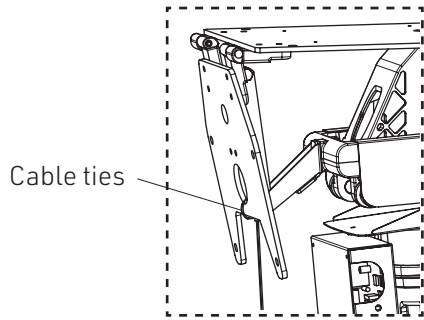
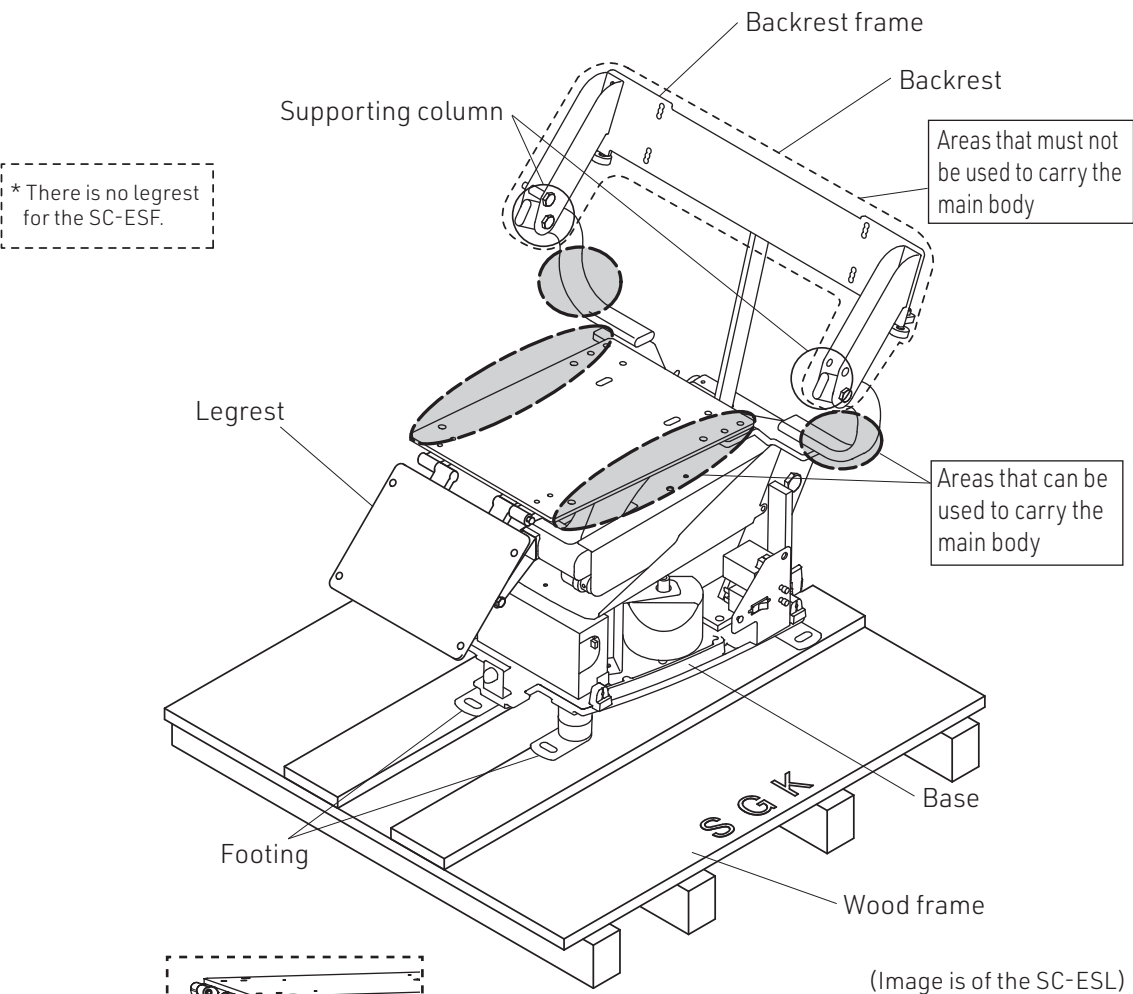
• Instruction manual, installation manual (this document)  
• YUME SPA Technical Manual (except for China)



# <Seat body>

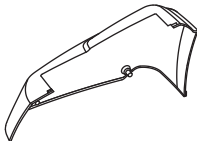
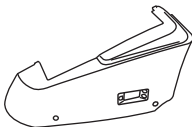
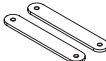


## ■ Content of packaging

\* There is no legrest for the SC-ESF.



The legrest is fixed by cable ties in SC-YMSIN\*

- Cover set

  - Base cover R
- Base cover L
- Plate... (2)
- Base cover fixing screw set
- Seat body floor fixing screw set

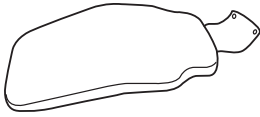
## <Seat>

### ■Content of packaging

#### 【ESPOIR】

[Fixed legrest type]

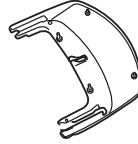
• Seat



• Backrest



• Backrest cover

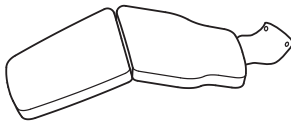


• Seat fixing screw set



[Movable legrest type]

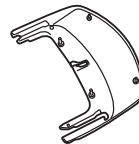
• Seat



• Backrest



• Backrest cover

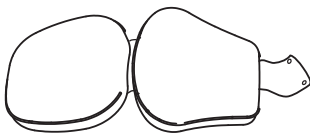


• Seat fixing screw set

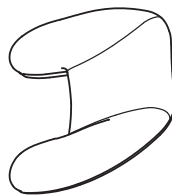


#### 【SUITE】

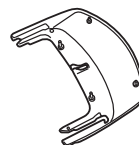
• Seat



• Backrest



• Backrest cover



• Seat fixing screw set



• Lumbar Cushion

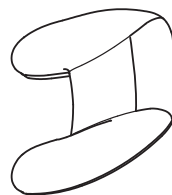


#### 【NOBLE】

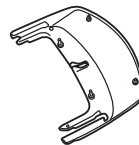
• Seat



• Backrest



• Backrest cover



• Seat fixing screw set



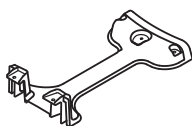
• Lumbar Cushion



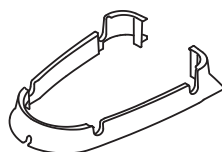
## <Base plate>

### ■Content of packaging

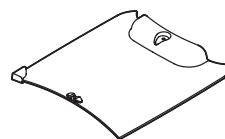
• Base plate H



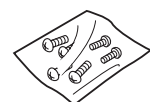
• Base plate U



• Base plate F



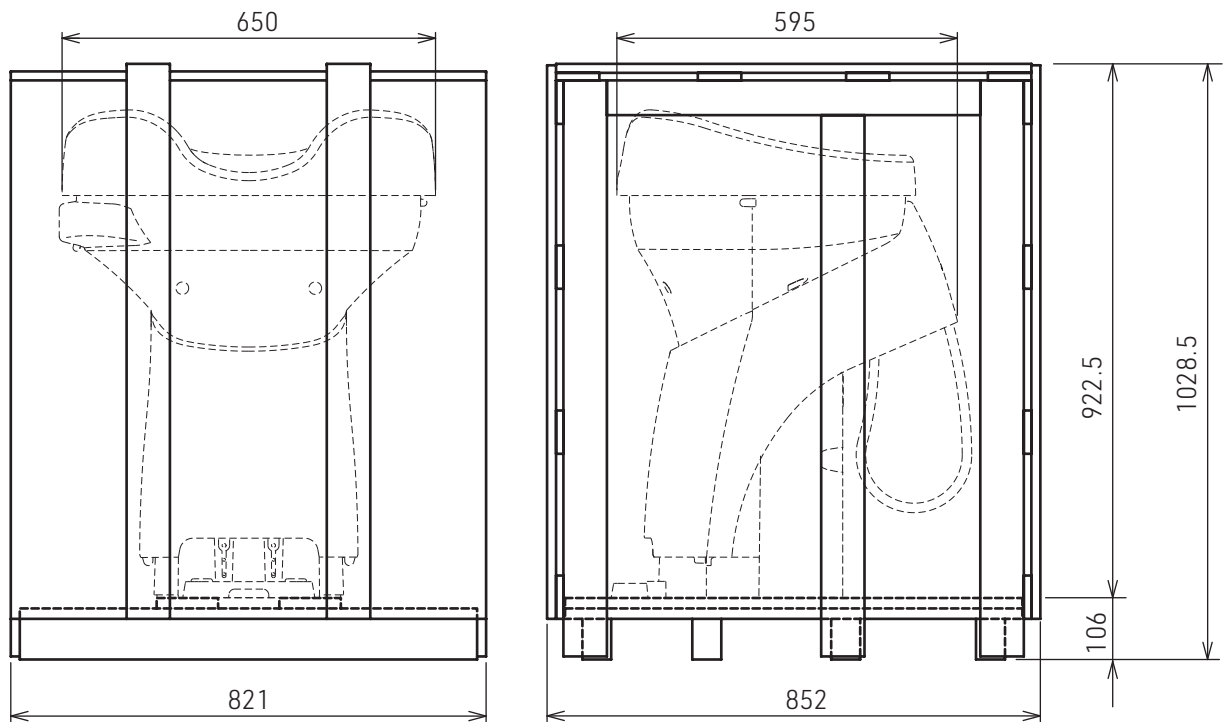
• BP fixing screw set



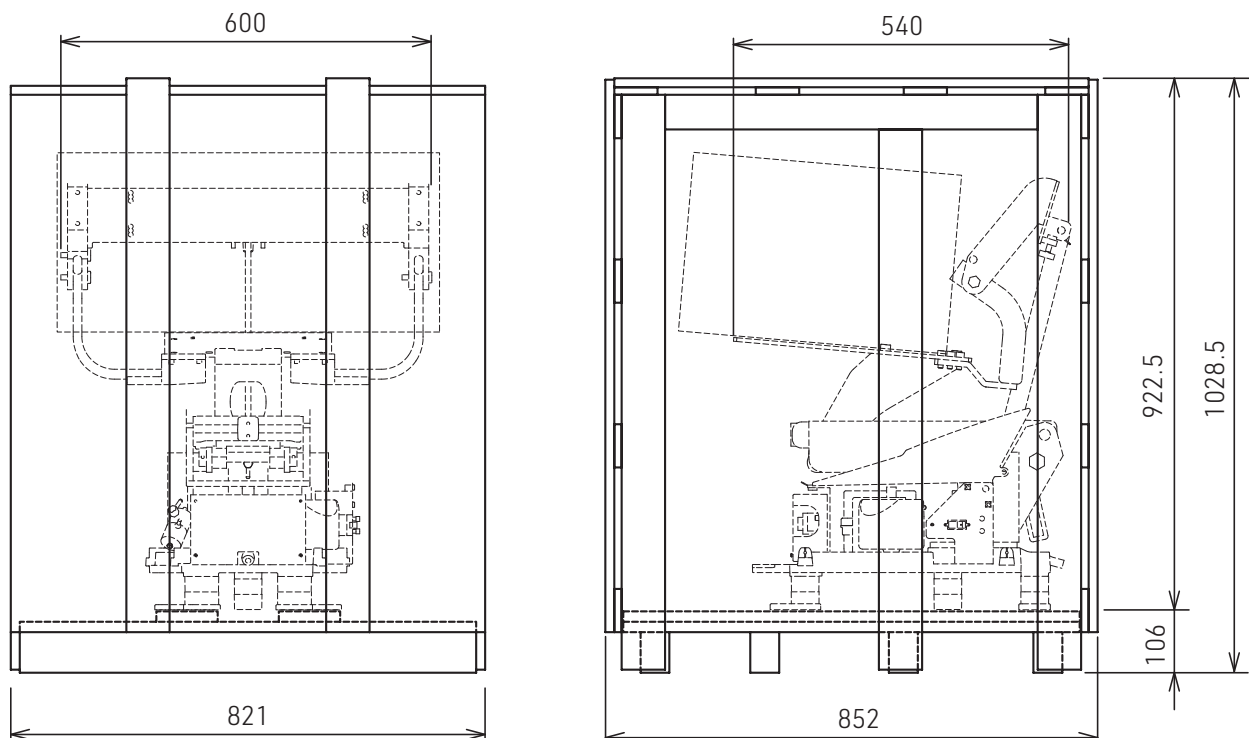
## ■Packaging shape and size, weight

<Basin body: For Back wash>

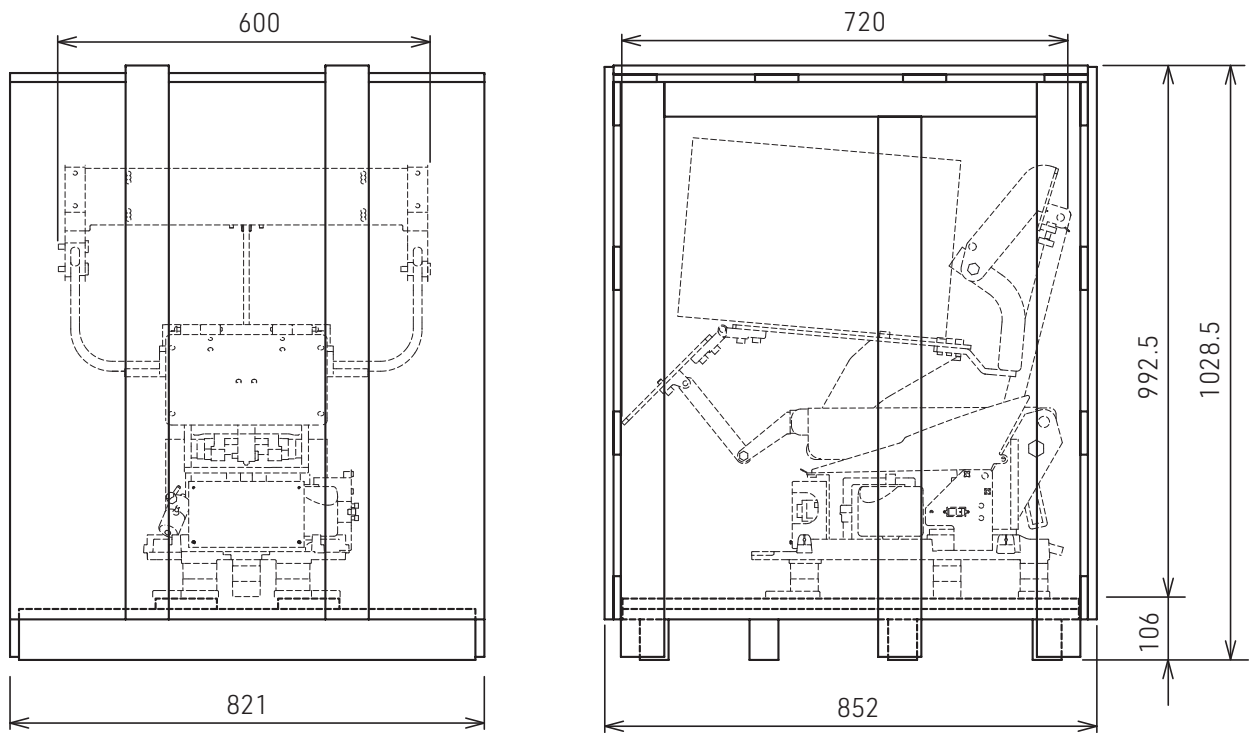
Basin body 37 kg, Wood frame 30 kg



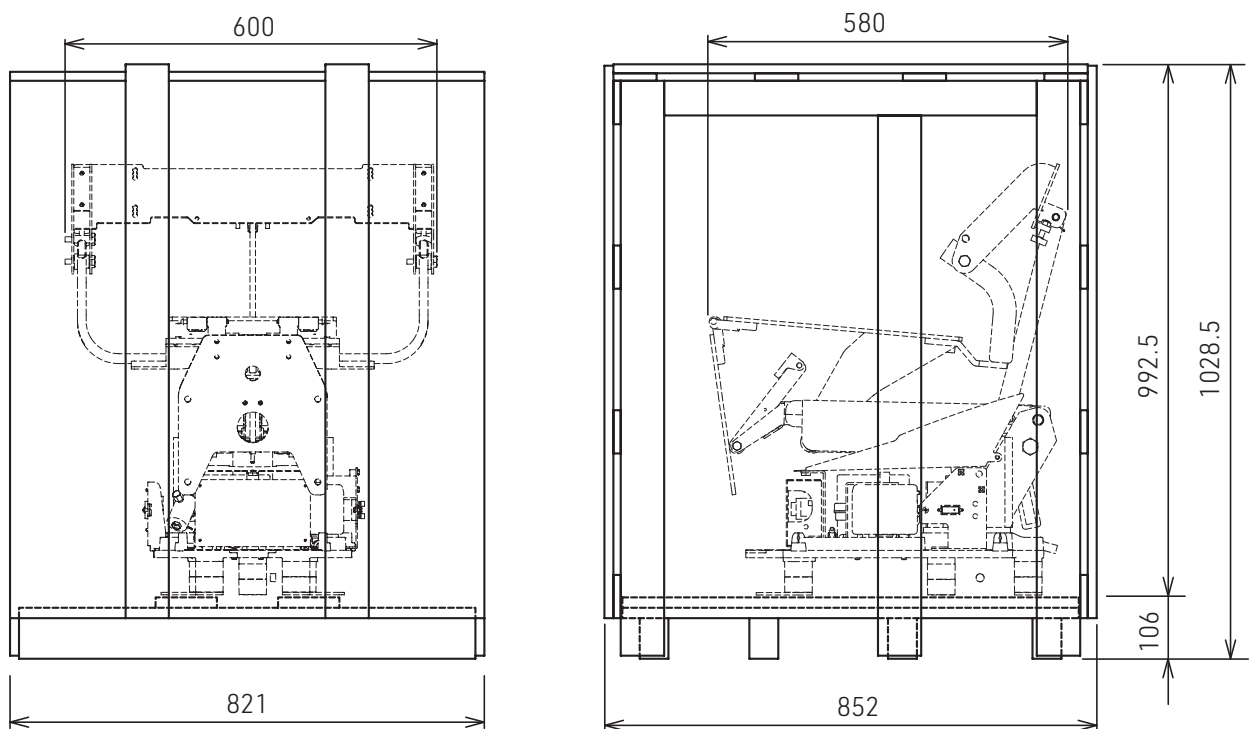
<ESPOIR Seat body: Fixed legrest type> Basin body 46.5 kg, Wood frame 30 kg



<ESPOIR Seat body: Movable legrest type> Basin body 48 kg, Wood frame 30 kg



<SUITE / NOBLE Seat body: Movable legrest type> Basin body 48 kg, Wood frame 30 kg



# Carrying the main body

## ■ Carrying the basin

1 Unpack the wood frame.

2 Remove the maintenance cover from the main body.

○ Remove the protective tape and the Urea screws from the maintenance cover.

\* Remove the maintenance cover keeping the protective tape taped to the main body cover.

### ⚠ Precaution

Do not lose the Urea screws holding down the maintenance cover.

The Urea screws are used for holding down the maintenance cover later. (see page 8)

3 Remove the main body from the wood frame.

○ Remove the screw attaching the base and skid while holding the basin. (4 points)

### ⚠ Precaution

Always have at least two people to carry the main body and hold the basin when remove the bold.

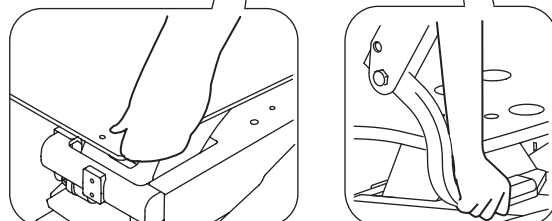
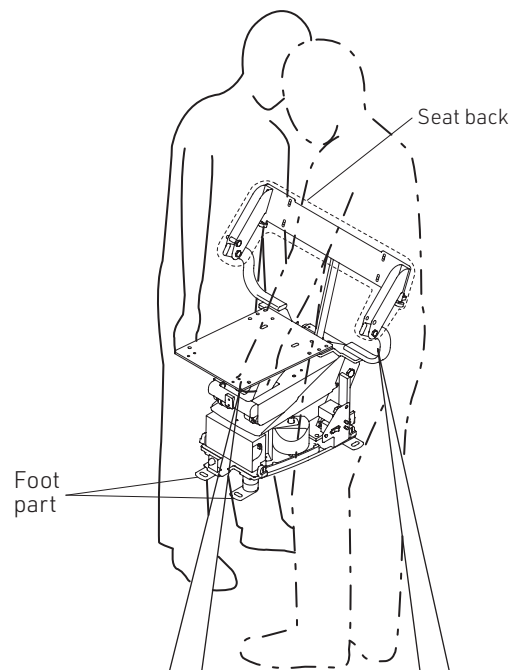
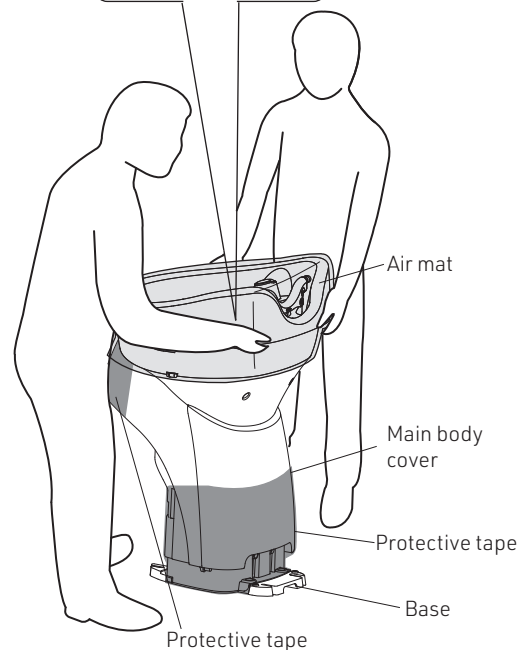
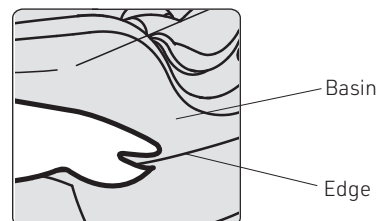
4 When carrying the basin

○ Do not take off the air mat and the protective tape.

○ Carry the body by holding the edge of under the basin. Do not hold the main body cover. Always have two at least people to carry the main body. (see image on right)

### ⚠ Precaution

- Never hold the main body cover. Doing so may cause damage to the main body cover.
- Take care when handling the basin as it is heavy and fragile.
- Do not drag the unit. The foot part of the basin is made of steel, so dragging it may damage the floor surface or crack the basin itself.
- The basin may become damaged if scratched by metallic objects such as watches or belts. Remove all metallic objects such as watches when carrying the basin.
- Take extra care to ensure not to damage the covers.
- Do not touch the basin body pipes. Doing so may cause water leaks.
- The basin is unstable when it is not fixed to the floor.



## ■ Carrying the seat

1 Unpack the wood frame.

2 Remove the seat from the wood frame.

○ Remove the screw attaching the foot part and skid while holding the seat. (4 points)

3 When carrying the seat

○ Hold the specified points only. (see page 9)

Always have at least two people to carry the seat. (see image on right)

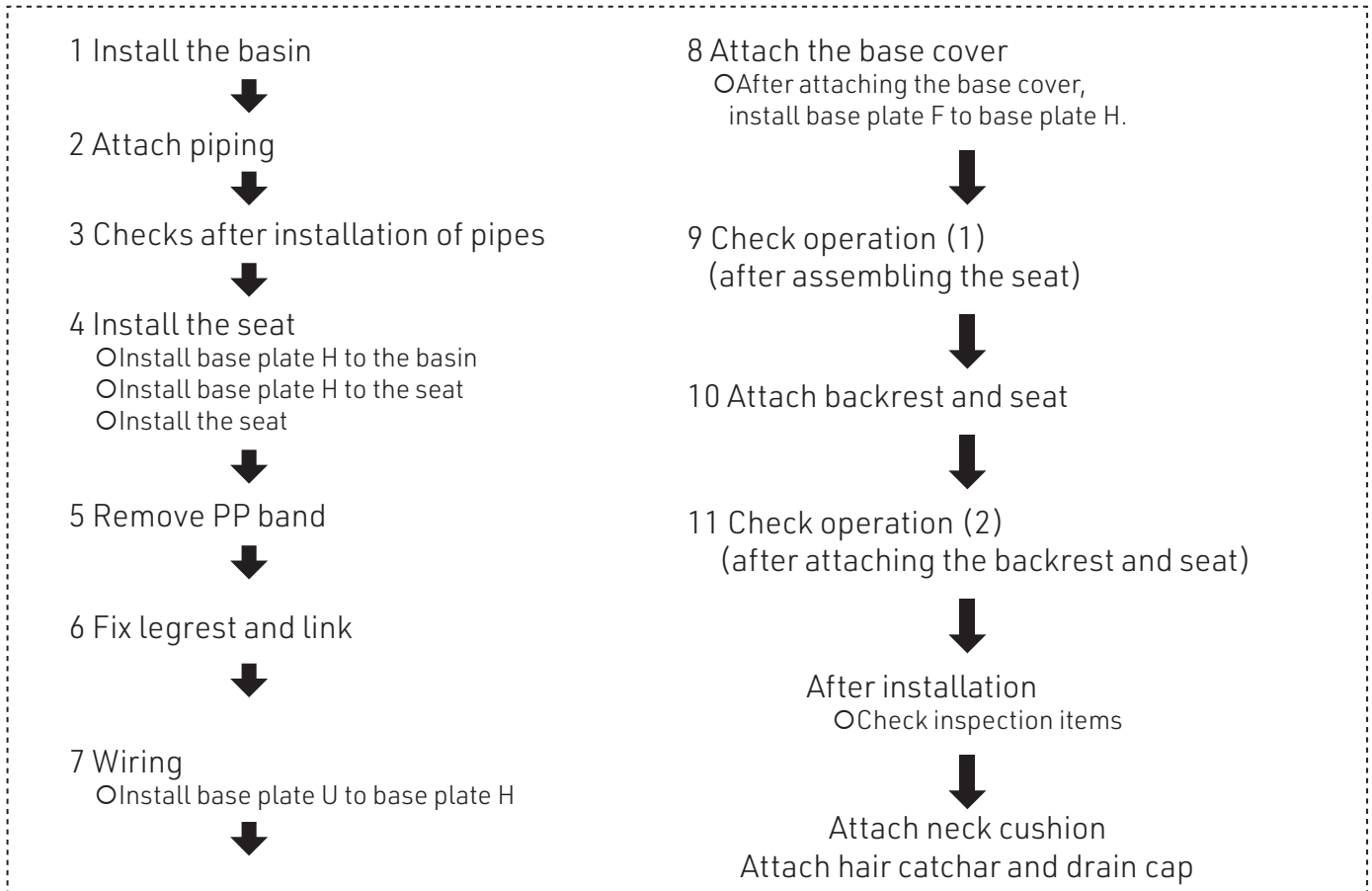
### ⚠ Precaution

- Never hold the backrest. Doing so may cause incorrect operation or malfunctions in the seat.
- Do not drag the seat. The feet of the seat are made of steel, so dragging it may damage the floor surface, damage the foot part, cause incorrect operation or malfunctions in the seat or toppling.

# Installation of main body

\* The basin or seat may not be able to be installed correctly depending on installation procedures of the main body. Always install the main body using the following procedures.

## ■ Main body installation procedure



### ⚠ Precaution

- Always use the template to mark the floor when fixing the basin and the seat. Also, always final confirm the fixing position of the seat by using the base plate H as a guideline.
- If the seat is to be fixed using anchor bolts, check the distance between the seat and the basin with the actual unit.

## 1 Install the basin

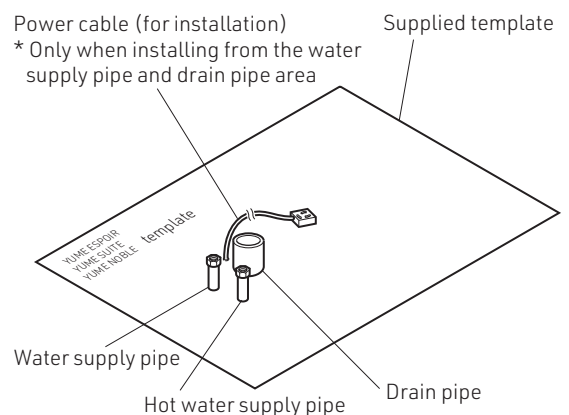
### ■ Installation

#### 1 Marking the bolt (anchor) fixing position

○ Use supplied template to check and make preparations for the dimensions and method for installation of the piping.

\* If the power cable (for installation) is to be installed from the water supply pipe and drain pipe area, mark their position in the same way as below.

- (1) Place the supplied template on the floor and set it to the position of the water supply pipe, hot water supply pipe and drain pipe.
- (2) Mark the fixing position of the basin and seat bolts (anchor).
- (3) Drill out the fixing position holes for the basin bolts (anchor).
- (4) Remove the template from the floor.

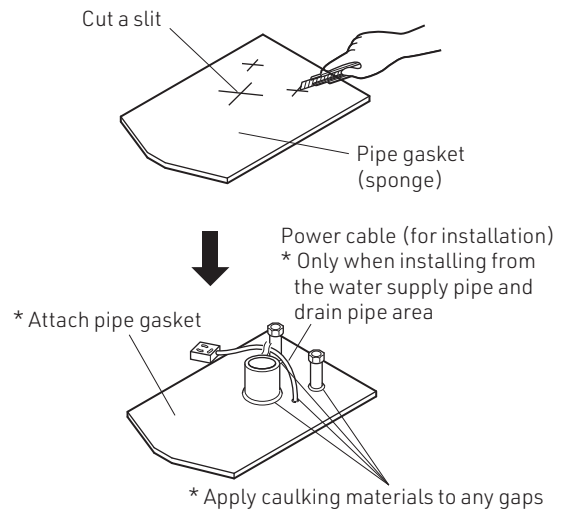


## 2 Attach pipe gasket

- (1) Cut a slit in the pipe gasket to suit the position of the pipes to be installed.
- (2) Peel away the sheet from the adhesive surface of the pipe gasket and stick to the floor surface.
- (3) Cut out a circle around the slit cut in the pipe gasket to suit the pipe surface, and fill in any gaps with caulking materials.

### Precaution

- Always attach pipe gasket and apply caulking materials to the areas around the pipes so that there are no gaps, in order to prevent condensation within this product or water seeping on the floor in the event of water leaks.
- If pipe gasket is not used, condensation may cause water to pool on the floor, structural parts may start degrading and malfunctions may occur.
- If the power cable (for installation) is to be installed from the water supply pipe and drain pipe area, apply caulking materials to any gaps in the same way as above.



## 3 Install the basin

- (1) Hold the stepped section at the bottom of the basin, align it with the hole position that was opened previously, and install the basin.

### Precaution

Do not pull the basin when attempting to move it. Doing so may damage the floor.

\* If the power cable (for installation) is being installed from the water supply pipe and drain pipe area, pass the cable through the gap in the center of the base and through to the seat side.

### Precaution

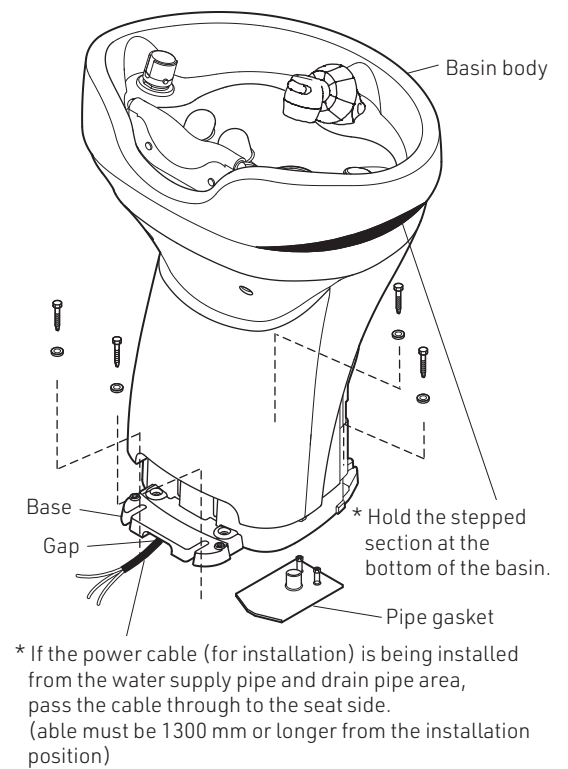
Ensure that the power cable (for installation) is not trapped by the base. Doing so may cause fires, electrocution or angled basin.

- (2) If the pipe gasket is trapped under the basin (base), move the basin away temporarily and cut the pipe gasket that is trapped.

### Precaution

The basin may be installed at an angle, or may even topple over if the basin (base) is attached with the pipe gasket trapped underneath.

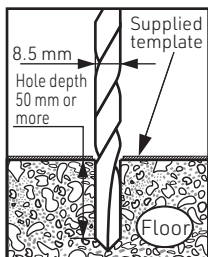
- (3) Attach the basin with bolts (anchor).  
Adjust the basin so that it is not installed at an angle.



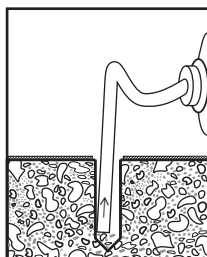
## ● Installation process for anchor bolts

### Precaution

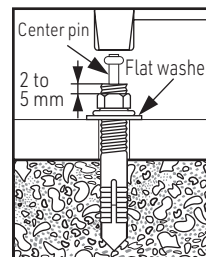
- The strength of the anchor bolts will be reduced if they are hammered into the hole while touching the bottom. Open up a gap.
- When installing anchor bolts, insert them so that there is 2 to 5 mm of the threaded section of the head protruding. If the bolts are inserted with more than 5 mm protruding, the head may interfere with the cover.



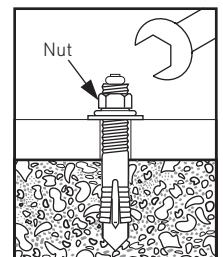
- (1) Drill open a hole of the specified diameter and depth.



- (2) Remove the dust from each anchor hole by cleaning with a vacuum cleaner.



- (3) Insert the anchor bolt and tap it with a hammer until the center pin makes contact with the base plate.



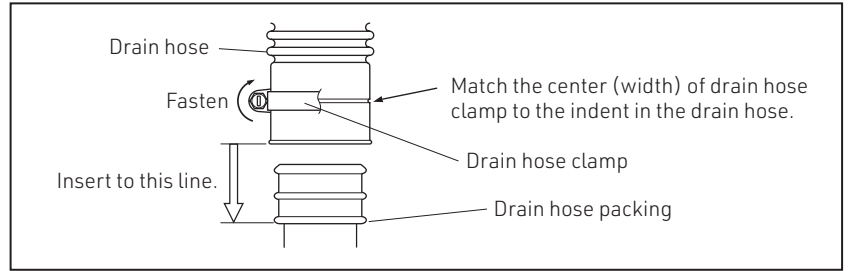
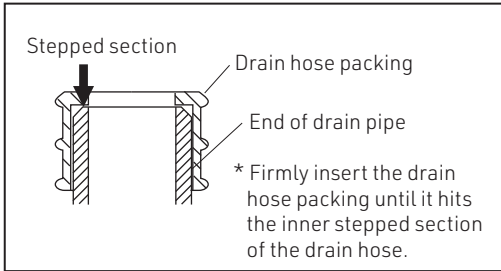
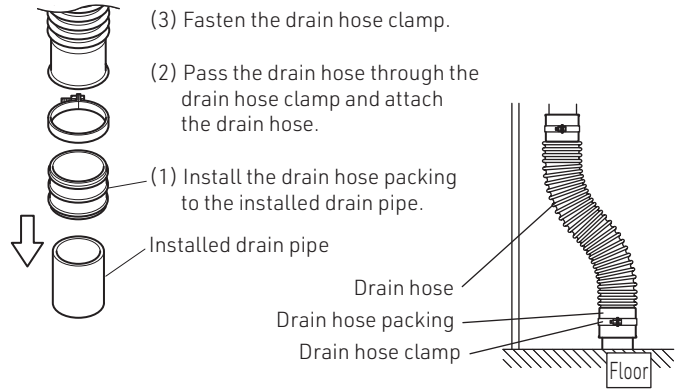
- (4) Adjust the fastening strength of the nut using a wrench.

## 2 Attach piping

### 1 Attach drain hose to installed drain pipe

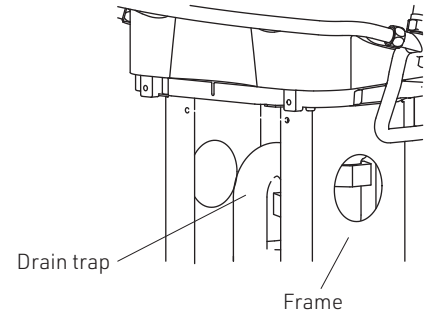
#### ⚠️ Precaution

- Check that the drain hose is not bent or damaged. This may affect water flow or damage the drain hose.
- Check that the drain hose clamp is firmly fastened. If it is not fastened, water may leak or the drain hose may come loose.
- Check that the hose is not in the shape of an S trap. An S trap can adversely affect the flow of drainage water. If the drain pipe layout causes an S trap to be formed, check the installation position of the basin body and piping dimensions, and make the necessary adjustments.



#### \* Drain trap

If water leaks due to damage to the drain trap, contact your closest dealer or Takara Belmont directly.

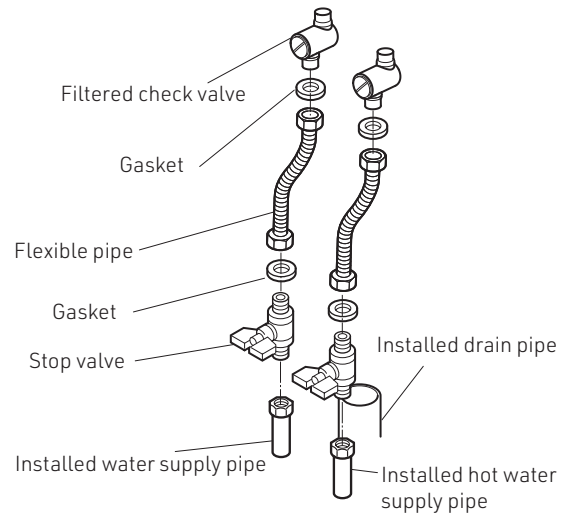


### 2 Attach the water supply pipe and hot water supply pipe

#### ⚠️ Precaution

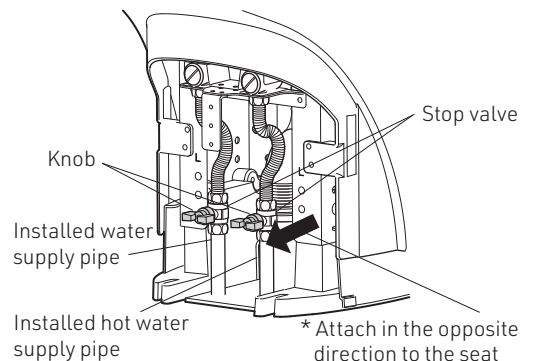
- Always connect the pipe after removing all contaminants on the pipe such as dirt, sand and oil.
- Check that the space around the pipe is completely filled with caulking materials.

- (1) Check that pipe installation suits product specifications (position, pipe, height) and that it matches the pipe installation diagram and template. (see page 28)
- (2) Attach the stop valve to the installed hot water supply pipe and installed water supply pipe. Take note of the orientation of the stop valve.
- (3) Bend the flexible pipe to suit the position of the filtered check valve and stop valve.
- (4) Insert the supplied packing to the flexible pipe and attach to the filtered check valve.
- (5) Insert the supplied packing to the flexible pipe and attach to the stop valve.



#### ⚠️ Precaution

- When attaching the water supply pipe and hot water supply pipe, ensure that they do not come in contact with the basin pipes. Doing so will may cause water leaks.
- Always attach the supplied packing. Using this product without installing the supplied packing may cause water leaks.
- Do not connect the hot water supply pipe and water supply pipe in reverse.
- Check that water is not leaking from the joint.





# 3 Checks after installation of pipes

## 1 Test water flow

### **Precaution**

Always test the water flow to prevent accidents during use.

- \* Test the water flow and inspect the following items. The hot water may be slightly tainted at the start of the water flow test, however this does not indicate any problem.
- \* For safety reasons, the product's thermostat is designed so that the hot water does not exceed 53 °C. (if the supply pressure is the same, water is 20 °C and hot water is 60 °C)

(1) Is there no water leaking from the pipe joints

The pipe joints may come loose during transportation, so check the joints within the basin thoroughly.

(2) Are the hot water supply and water supply pressures at the same, stable pressure

If the pressure is not the same, see "How to adjust faulty temperature regulation" below.

(3) Can temperature be controlled properly

(4) Check that the shower outlet flow is sufficient, by the following as a guide for flow rate.

Shower outlet flow rate

Hot water supply pressure, water supply pressure : 0.1 MPa each
Shower outlet temperature : 40 °C

Dual function (shower): Approximately 10.0 L/min  
shower head (Aeration): Approximately 6.6 L/min

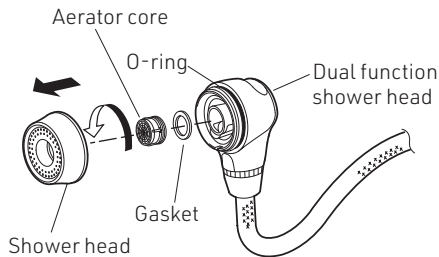
## 2 Clean

○After the hot water becomes clear during the water flow test, always clean the filter (within the check valve) and shower head.

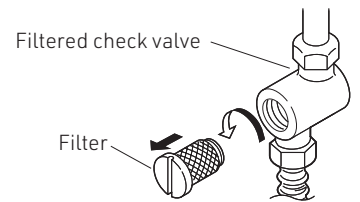
### **Precaution**

Failure to do so can result in insufficient flow rate and faulty temperature regulation. Take care not to damage or lose the O-rings and gasket.

Remove and clean any dirt trapped within the shower head



Remove and clean any dirt trapped within the filter pipe



### 3 Attach the maintenance cover to the basin

#### **Precaution**

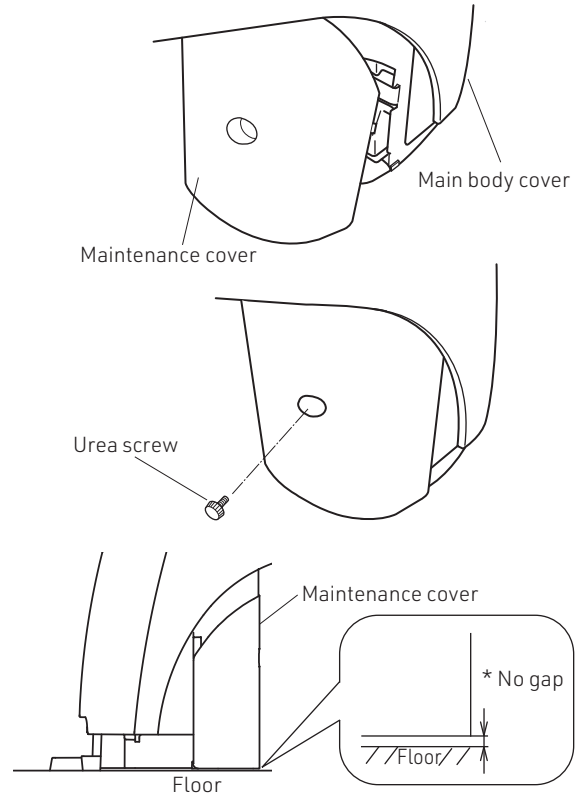
Take care not to hit or trap other parts when installing the cover. Doing so may damage the parts and cause malfunctions.

- (1) Insert the maintenance cover into the main body cover.
- (2) Attach the cover with the screws.  
(Urea screw M5 × 15, 1 pce)

- \* The Urea screws are held down the main body with the maintenance cover. (see page 8 and 13)
- \* Attach the maintenance cover to the basin body in a position so that it is in contact with the floor.

#### **Precaution**

Attach the Urea screw by hand without using any tools. Using tools may cause damage to the plastic section.



## 4 Install the seat

### ■ Installation

#### **Precaution**

Ensure that power cannot be turned on to the seat during the installation process.

### 1 Install base plate H to the basin

- Press the ribbed section of base plate H to the base of the basin and fasten with the screws. (M6 × 20, 2 pcs, plastic washer (10 × 6), 2 pcs)

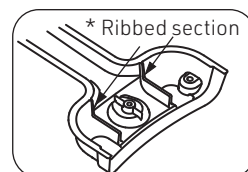
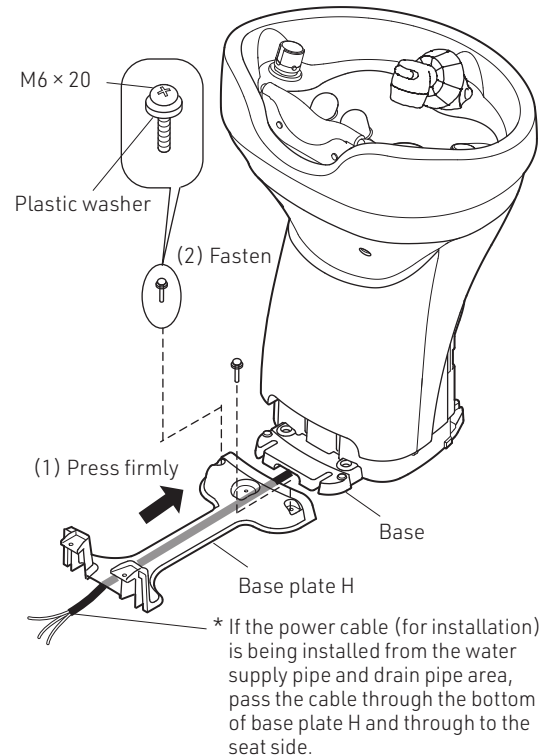
- \* The plastic washers are supplied with the screws when the product is shipped. Check that the plastic washers have not come loose.
- \* If the power cable (for installation) is being installed from the water supply pipe and drain pipe area, pass the cable through the bottom of base plate H and through to the seat side.

#### **Precaution**

Ensure that the power cable (for installation) is not trapped by base plate H. Doing so may cause electrocution or an angled seat body.

#### **Precaution**

Always attach the plastic washers. If the washers are not attached, water may leak through, making it difficult to remove the screws.



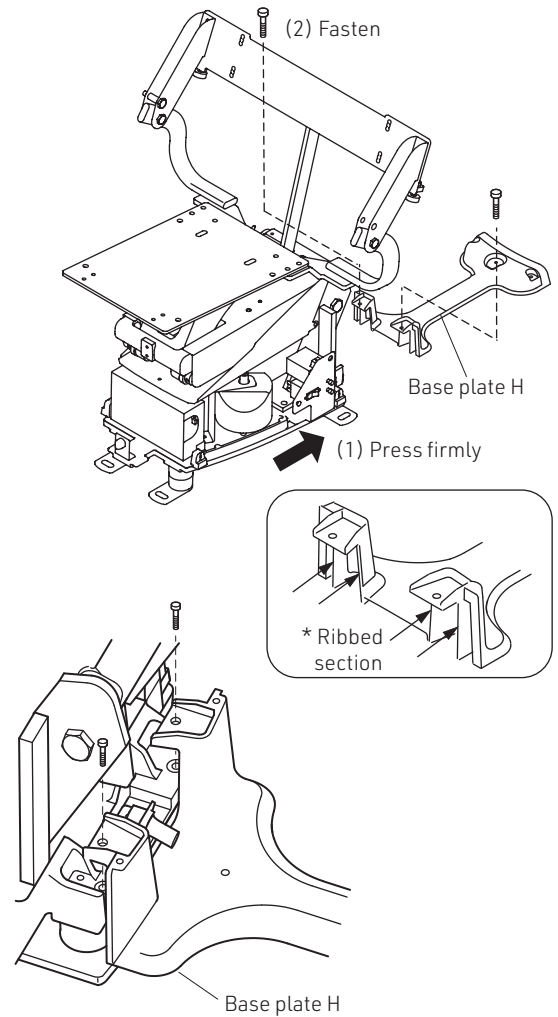
## 2 Install base plate H to the seat

- (1) Hold the specified section at the base of the seat (see page 9), press against the ribbed section of base plate H and fasten with the screws. (M6 × 15, 2 pcs)



### Precaution

- If the seat is attached using anchor bolts, check the distance between the seat and the basin with the actual unit.
- When attaching the seat, always check that there are no large spaces due to warpage of base plate H or gaps between the floor. If the power cable (for installation) is to be installed from the water supply pipe and drain pipe area, apply caulking materials to any gaps in the same way as above.
- Ensure that the power cable (for installation) is not trapped by the seat. Doing so may cause electrocution or an angled seat.



## 3 Install the seat

<If the power cable (for installation) is being installed from the water supply pipe and drain pipe area>

Pass the power cable (for installation) from base plate H through the bottom of the seat base and position at the plugging point.

<If the power cable (for installation) is being installed from the floor under the seat>

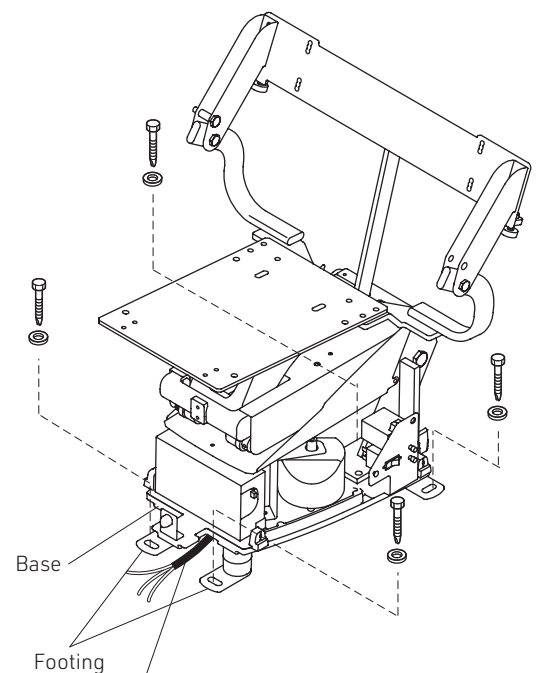
Pass the power cable (for installation), from the floor and position at the plugging point.

- Attach the seat with bolts (anchor). (see page 15) Check that the seat and basin are set in correct direction.



### Precaution

- The strength of the anchor bolts will be reduced if they are hammered into the hole while touching the bottom. Open up a gap.
- When installing anchor bolts, insert them so that there is 2 to 5 mm of the threaded section of the head protruding. If the bolts are inserted with more than 5 mm protruding, the head may interfere with the cover.



- \* If the power cable (for installation) is being installed from the floor under the seat body, pass the cable past the installation position by 300 mm or more.

## 5 Remove PP band

○ Remove the PP band from the seat.

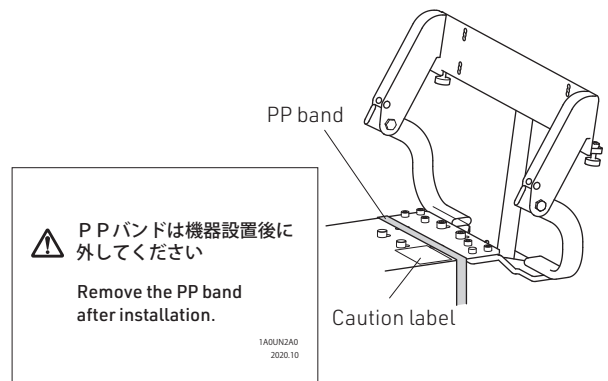
### Precaution

- Always remove this PP band. Operating this product with this PP band attached may cause incorrect operation or malfunctions in the seat.

\* When moving the seat body at a later date

### Precaution

- If the seat is to be moved at a later date, always attach the PP band. If this PP band is not attached, the transportation handle (see page 9) cannot be fastened, which can cause malfunctions to the seat or injury.



## 6 Fix legrest and link

<SUITE > <NOBLE >

(1) Remove the cable ties from the legrest.

### Precaution

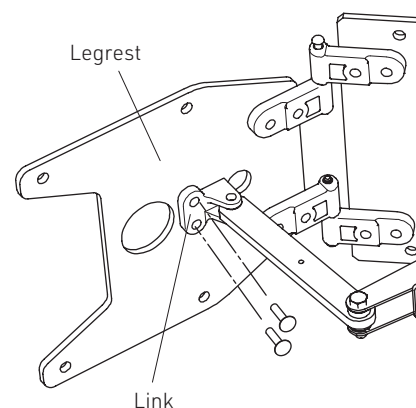
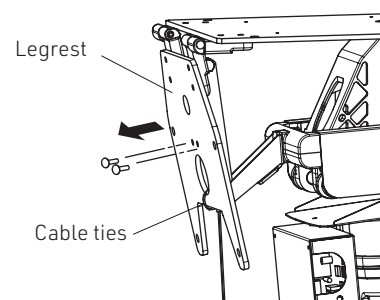
Always remove this cable ties. Operating YUME SUITE and NOBLE with cable ties attached may cause incorrect operation or malfunctions in the seat.

(2) Remove the two screws that are temporarily fixed to the legrest.

(3) Use the screws removed in (2) to secure the legrest and link as shown in the figure on the right.

### Precaution

Securely fix the leg rest part and the link so that there is no looseness. Failure to do so may cause an injury, damage to the device, or abnormal noise.



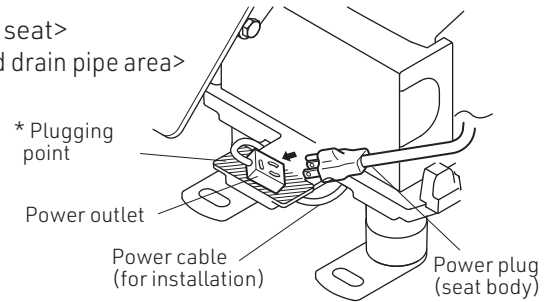
# 7 Wiring

## 1 Connect power cable

<If connecting to a power cable (for installation) from the floor under the seat>

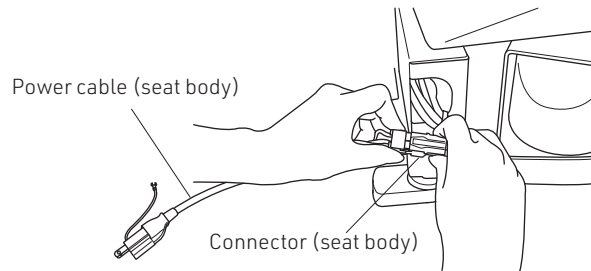
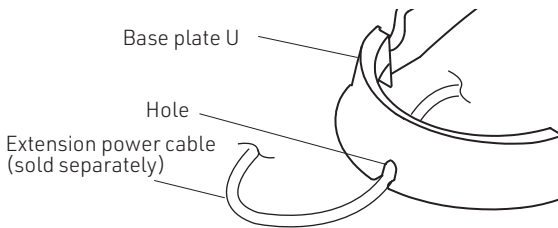
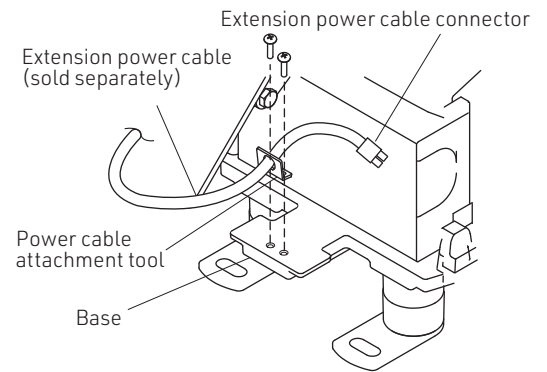
<If connecting to a power cable (for installation) from the water supply pipe and drain pipe area>

- (1) Connect a power outlet to the power cable (for installation).
- (2) Insert the power plug from the seat into the power outlet.
  - \* When connecting the power plug into the power outlet, do it at the plugging point and bring it to the top of the base. (see page 28)



<If connecting to an external power outlet>

- (1) Fasten the power cable attachment tools to the base with screws. (M5 × 10, 2 pcs)
- (2) Disconnect the power plug of the seat at the connector and connect the connector of the extension power cable (sold separately) to the seat connector.
- (3) Pass the extension power cable (sold separately) through the hole in base plate U.
  - \* The fastening methods for base plate U is outlined in number 2 below.
  - \* Always use the extension power cables (sold separately) specified by Takara Belmont.



## 2 Install base plate U to base plate H

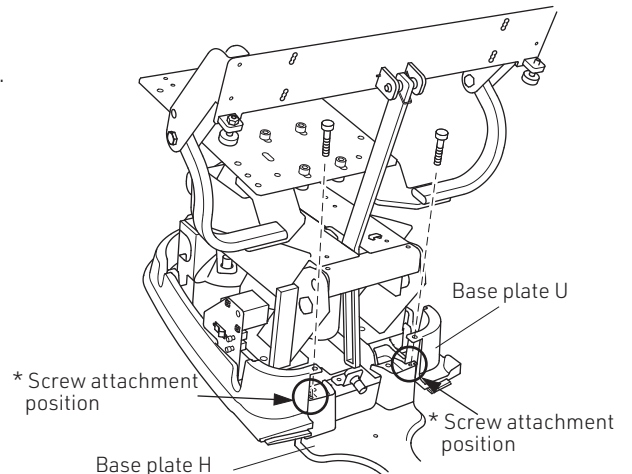
- Spread open base plate U and attach to base plate H with screws. (M5 × 14, 2 pcs)

### **Precaution**

Take care not to spread open base plate U too far. Spreading the base plate out too far can result in the deformation and damage.

### **Precaution**

When installing base plate U, ensure that the power cable (for installation) is not trapped.



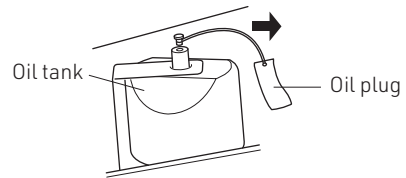
# 8 Attach base cover

## Precaution

Take care not to hit or trap other parts when installing the cover.  
Doing so may damage the parts and cause malfunctions.

\* Check that there is no damage or dirt on the cover before installing it.  
If there are any problems found in preliminary checks, contact your closest dealer or Takara Belmont directly.

### 1 Remove the oil plug from the oil tank.

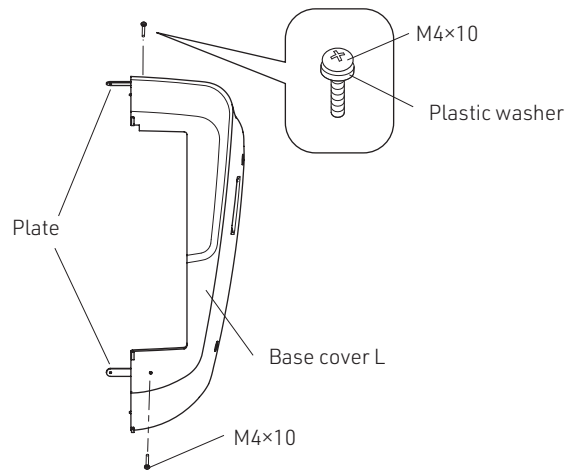
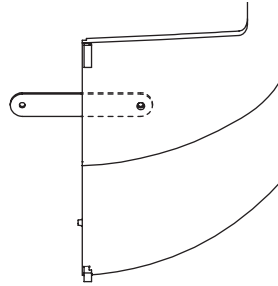


### 2 Attach base cover L and R to the seat

- (1) Attach plate for base cover to base cover L.  
(M4×10, 2 pcs)  
(Plastic washer (10×4), 2 pcs)

#### Tips

If you attach the plate vertically to the end face of the cover, it will be easy to fit with the hole of the base cover R.

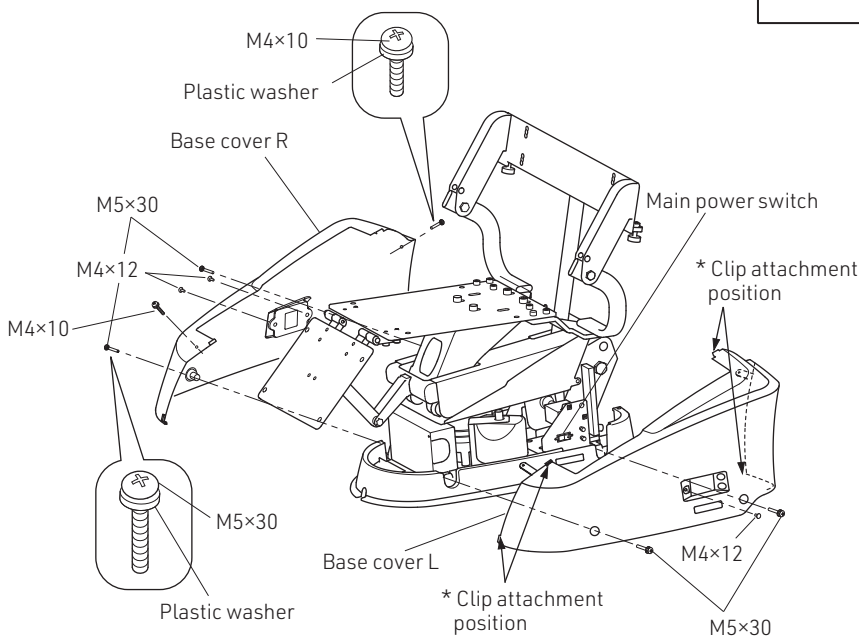


- (2) Attach base cover L and R to the seat.  
(M5×30, 4 pcs)  
(Plastic washer (10×5), 4 pcs)  
(M4×10, 2 pcs)  
(Plastic washer (10×4), 2 pcs)  
(M4×12, 3 pcs)

\* The plastic washers are supplied with the screws when the product is shipped. Check that the plastic washers have not come loose.

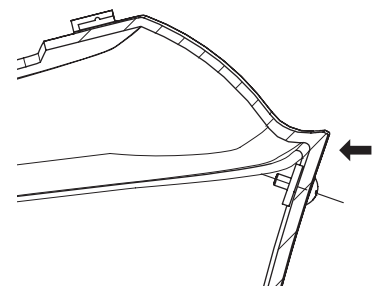
## Precaution

- Always attach the plastic washers. If the washers are not attached, water may leak through, making it difficult to remove the screws.
- Take care that the main power switch is not turned on when installing the cover. If the foot control is accidentally turned on, the seat will start moving, and may cause accidents or malfunctions to the main body.

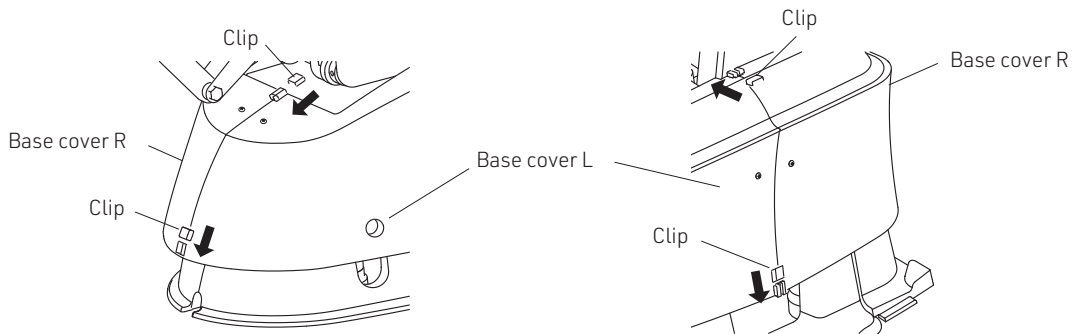


#### Tips

If you fix the plate while pressing the position of the arrow with the finger, the gap between the covers can be made small.



- (3) Attach the clips to base cover L and R in four locations.  
 (clip, 4 pcs (2 each at the front and rear))  
 \* Take note of the clip orientation when attaching them.

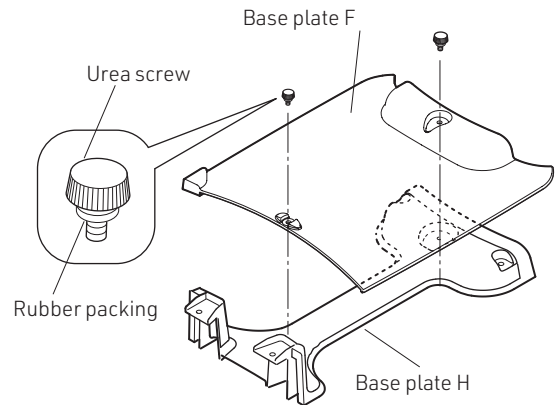


### 3 Install base plate F to base plate H

- o Attach base plate F to base plate H with screws.  
 (Urea screws M6 × 12, 2 pcs, with rubber packing)
- \* The rubber packing is supplied with the screws when the product is shipped. Check that the rubber packing has not come loose.

**⚠️ Caution**  
 Always attach the rubber packing to the Urea screws.  
 Water may seek into the base plate from the screw attachment holes, causing malfunctions to the main body.

**⚠️ Caution**  
 Attach the Urea screw by hand without using any tools. Using tools may cause damage to the plastic section.

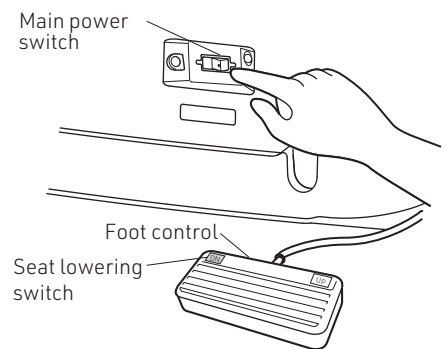


## 9 Check operation (1) (after assembling the seat)

**⚠️ Caution**

- Check once again that the transportation bolt has been removed.
- Check beforehand that there are no people or objects surrounding the seat.

- (1) Turn the main power switch on. Press the right side (I symbol) of the main power switch.
- (2) Press the foot control and check operation of the seat. For operating procedures, see the separate "YUME ESPOIR/YUME SUITE/YUME NOBLE Instruction Manual".
- (3) Once operation has been confirmed, check the attachment condition of the following items.  
 <Items to check>
  - Is there a large step or gap in the join between the covers?
  - Is there a large gap between the cover or base plate and floor?
  - Is the cover or base plate vibrating or resonating while operating?
- (4) Hold down (pressing for one second or longer will make the unit "beep") the foot control Seat lowering switch to raise the seat back frame.
- (5) Turn the main power switch off.

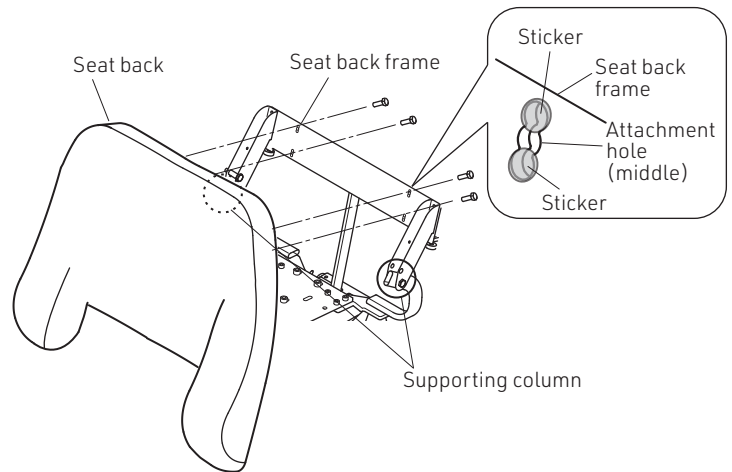


→ If there are problems present, check the screws used to attach the parts and reattach when necessary.

# 10 Attach backrest and seat

## 1 Attach backrest and seat

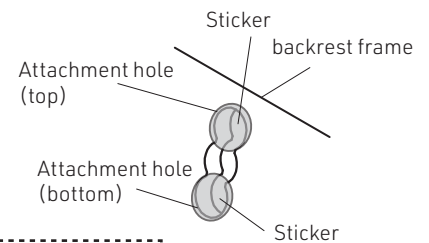
- (1) Insert the backrest into the supporting column in vertical state, align with the back frame and attach with screws through the attachment holes (middle). (M6 × 15, 4 pcs)
- (2) Turn the main power switch on.
- (3) Hold down (pressing for one second or longer will make the unit "beep") the Seat lifting switch of foot control to recline the backrest and bring the seat to its highest position.
- (4) Check the distance between the end of the seat back and basin. See "Adjusting the distance between the end of the backrest and basin" below for more information.
- (5) Turn the main power switch off.



### Adjusting the distance between the end of the backrest and basin

○ Check the following with the reclined down.

- (1) Does the end of the backrest hit the basin?
- (2) Is there a large gap between the end of the backrest and basin?  
Is there a variation in the gap with each main body?  
(Install the end of the backrest and basin so that the distance between them is approximately 10 to 20 mm.) Use the following procedure if the distance between the end of the backrest and basin requires adjustment.



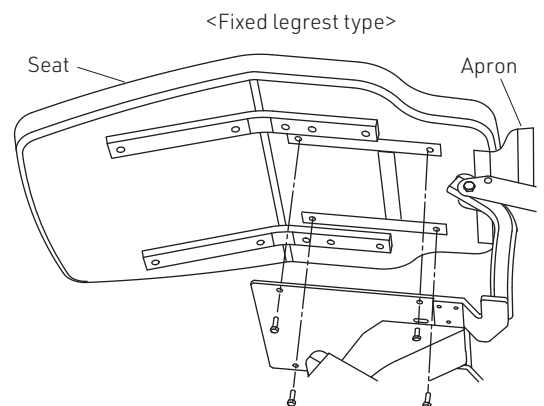
- To bring the end of the backrest and basin and closer together: use the attachment hole (top)
- To separate the end of the backrest and basin: use the attachment hole (bottom)

## 2 Attach the seat

### <ESPOIR : Fixed legrest type>

- (1) Attach the seat and seat body with screws. (M8 × 30, 4 pcs)

\* For models with a fixed legrest, there will be four screws remaining of the seat attachment screw set (M8 × 30).



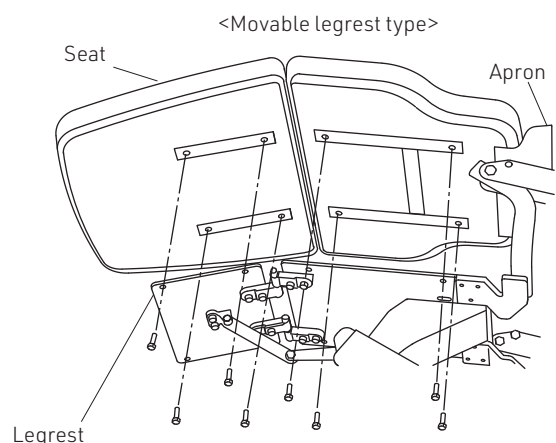
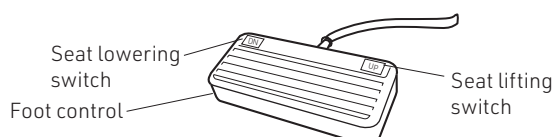
### <ESPOIR : Movable legrest type>

- (1) Attach the seat and seat body with screws. (M8×30, 8 pcs)

#### ⚠ Precaution

When attaching the seat, take care that the apron does not become trapped.

- (2) Hold down (pressing for one second or longer will make the unit "beep") the foot control Seat lowering switch to lower the seat back to its lowest position.

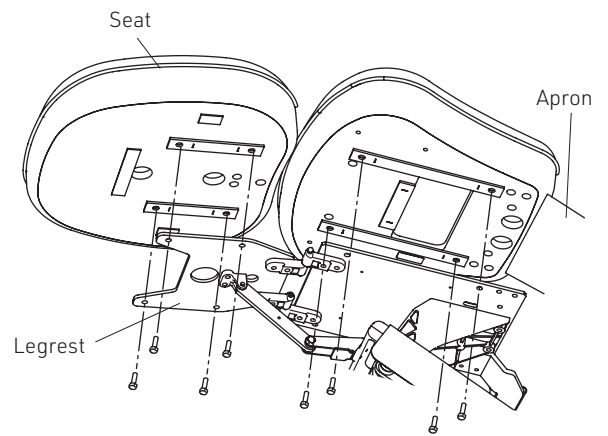
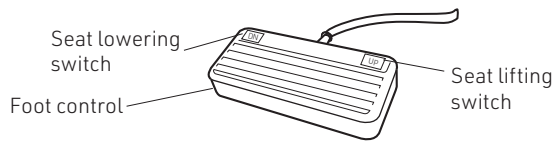




## <SUITE> <NOBLE>

(1) Attach the seat and seat body with screws.  
(M8×30, 8 pcs)

(2) Hold down (pressing for one second or longer will make the unit "beep") the foot control Seat lowering switch to lower the seat back to its lowest position.

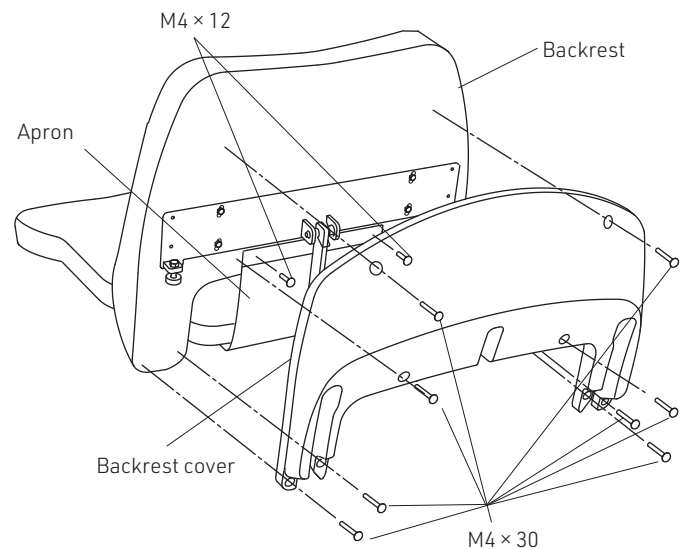


### 3 Attach the apron

○ Attach the seat apron to the backrest using screws.  
(M4 × 12, 2 pcs)

### 4 Attach the backrest cover

○ Attach the backrest cover so that it is aligned with the backrest.  
(M4 × 30, 8 pcs)




#### **Precaution**

Take care not to hit or trap other parts when installing the apron or cover. Doing so may damage the parts and cause malfunctions.

## 11 Check operation (2) (after attaching the backrest and seat)

#### **Precaution**

Check beforehand that there are no people or objects surrounding the seat.

- (1) Turn the main power switch on. Press the right side (  ) of the main power switch.
- (2) Press the foot control and check operation of the seat. For operating procedures, see the separate "YUME ESPOIR/YUME SUITE/YUME NOBLE Instruction Manual".
- (3) Once operation has been confirmed, check the attachment condition of the following items.

#### <Items to check>

○ With the seat back down,

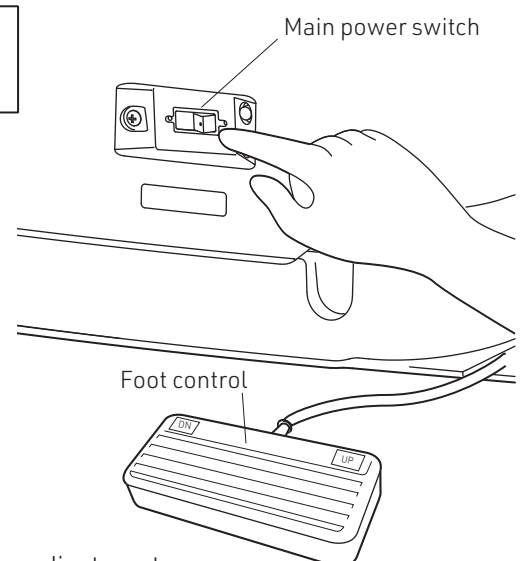
- (1) Does the end of the seat back hit the basin?
- (2) Is there a large gap between the end of the seat back and basin?  
Is there a variation in the gap with each main body?  
→ Use the "Adjusting the distance between the basin and seat back" on P 24 if the distance between the end of the seat back and basin requires adjustment.

○ Is the cover vibrating or resonating while operating?

→ If there are problems present, check the screws used to attach the parts and reattach when necessary.

○ Does the seat back move toward the rear when it is in its most upright position?

→ If the seat back moves toward the rear there may be a mechanical fault and repairs may be required, so contact your closest dealer or Takara Belmont directly.



# After installation

○ Remove the air mat attached to the basin and protective tape applied to the main body cover.



## Precaution

Always conduct the following inspections to prevent accidents during use.

### ■ Inspection items (basin body)

- (1) Are there any screws that have not been attached?
- (2) Is there any rattling?  
Check the attachment areas again if there is any rattling.
- (3) Are there any cracks or dirt on the basin?
- (4) Is there any damage or blemishes on the exterior parts?
- (5) Is water leaking onto the floor surface?

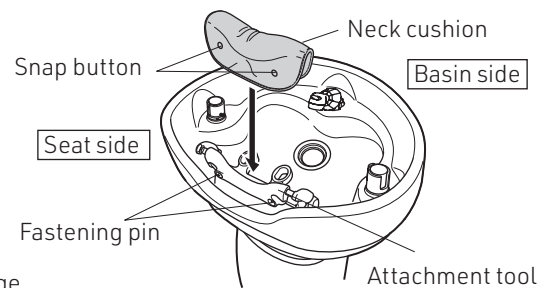
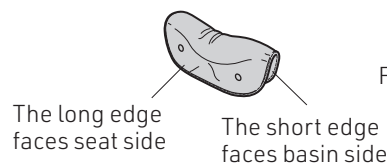
### ■ Inspection items (seat body)

- (1) Are there any screws that have not been attached?
- (2) Is the seat body operating correctly?
- (3) With the seat back down, does the end of the seat back hit the basin?
- (4) Do the seat back and seat hit each other?  
Are the seat back and seat bent?
- (5) Are there any blemishes such as damage on the exterior parts

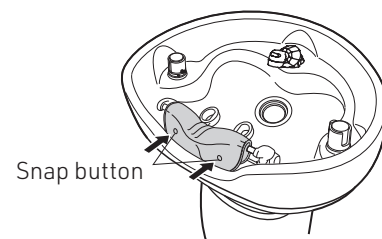
# Attach neck cushion

## ■ Attach neck cushion

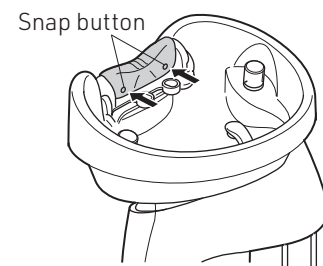
- (1) Set the neck cushion to the attachment tool in the direction as shown in the image.



- (2) Attach the seat side snap buttons of the neck cushion to the fastening pins on the attachment tool.  
\* Take care not to lose the fastening pins.

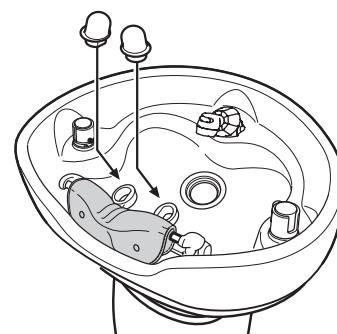
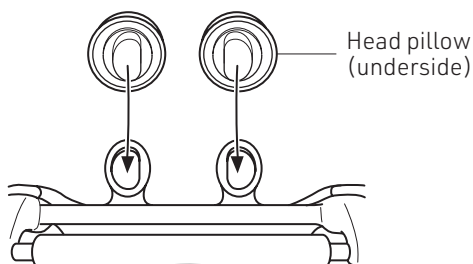


- (3) Adjust the shape of the neck cushion to suit the attachment tool, and attach the basin side snap buttons of the neck cushion to the fastening pins.



## ■ Attach head pillow

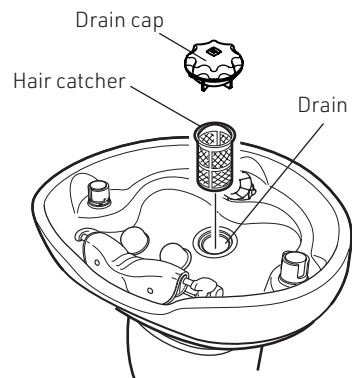
○ Insert the head pillow in the direction as shown in the image.



# Attach hair catcher and drain cap

## ■ Attach hair catcher and drain cap

Put the hair catcher into the drain port and place the drain cap on the top as shown in the image.



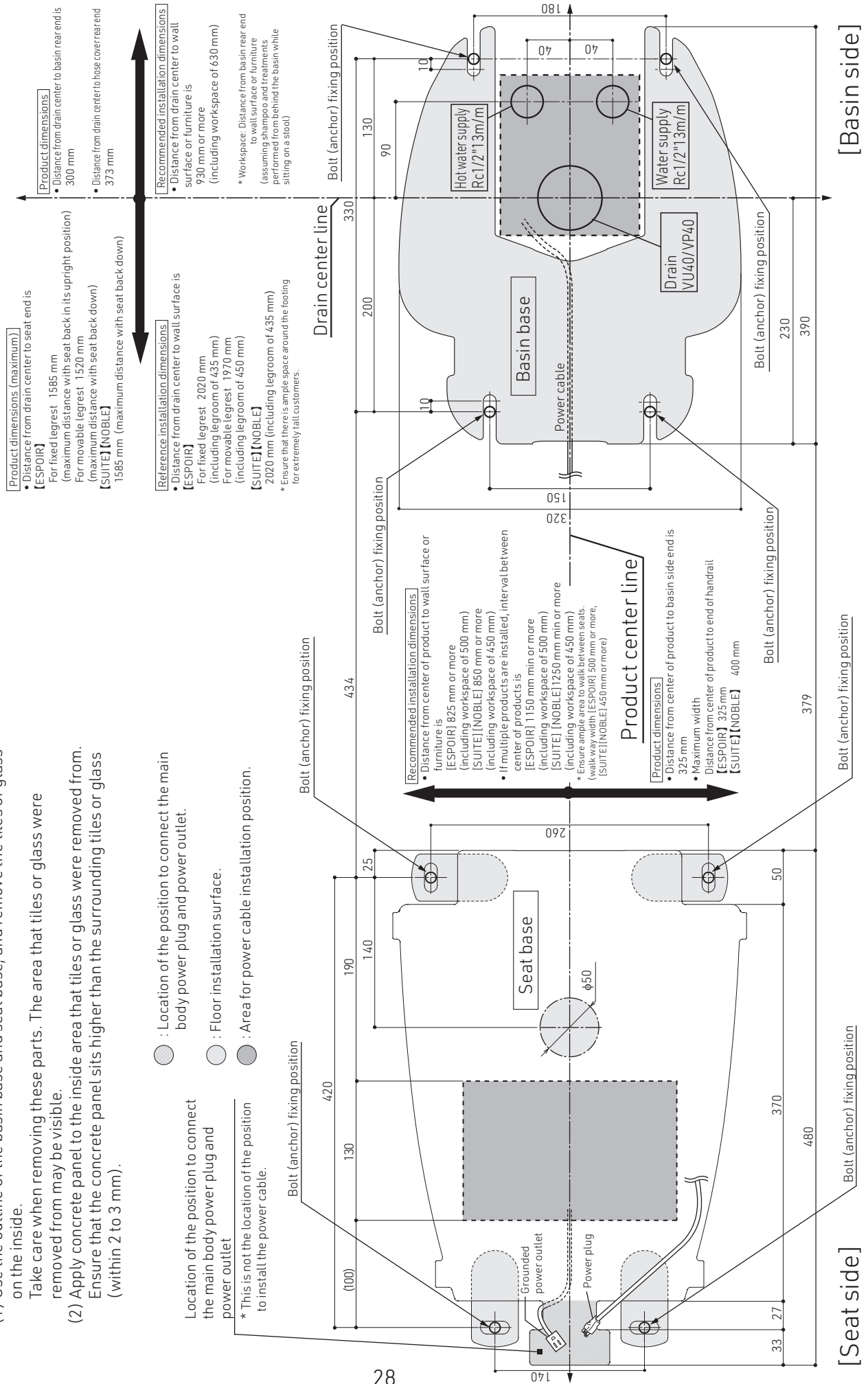
# Main body attachment diagram

- If the floor surface is tiled, cracks may occur when fastening the bolts during installation of the shampoo unit.  
In this case, use materials such as plywood or mortar for the attachment area.
- Use the outline of the basin base and seat base, and remove the tiles or glass on the inside.  
Take care when removing these parts. The area that tiles or glass were removed from may be visible.
  - Apply concrete panel to the inside area that tiles or glass were removed from.  
Ensure that the concrete panel sits higher than the surrounding tiles or glass (within 2 to 3 mm).

- : Location of the position to connect the main body power plug and power outlet.
- : Floor installation surface.
- : Area for power cable installation position.

Location of the position to connect the main body power plug and power outlet

\* This is not the location of the position to install the power cable.









# IMPORTER INFORMATION

COUNTRY		REGISTERED PLACE OF BUSINESS & ADDRESS
GBR	Importer in UK	TAKARA BELMONT(U.K.)LTD. BELMONT HOUSE, ONE ST.ANDREWS WAY, BOW LONDON E3 3PA, ENGLAND
DEU	Importeur in Deutschland	TAKARA COMPANY EUROPE GmbH BERNER STRASSE 18, 60437 FRANKFURT/M, GERMANY
FRA	Importateur en France	TAKARA COMPAGNIE PARIS S.A.R.L. 56 rue des Hautes Pâtures 92009 NANTERRE Cedex France
ITA	Importatore in Italia	TAKARA BELMONT ITALY S.R.L. Via Marino Mazzacurati No.4/1, 42019 Scandiano RE, Italy

## ➤ Declaration of Conformity

We hereby declare that the product listed below complies with the essential requirements of the EMC (electromagnetic compatibility) Directive : 2014/30/EU, Low Voltage Directive : 2014/35/EU, Machinery Directive : 2006/42/EC and RoHS Directive : 2011/65/EU based on category 11 of Annex I.

Product : BEAUTY SHAMPOO CHAIR

Model : YUME ESPOIR/YUME SUITE/YUME NOBLE

The product has been designed and manufactured in accordance with the European standards as the listed in the Declaration of Conformity.

## DECLARATION OF CONFORMITY

We declare under sole responsibility that the device that is covered by the present declaration is in conformity with the following regulations and, if applicable, with any other relevant UK legislation that provides for the issuing of an UK declaration of conformity.

Product : BEAUTY SHAMPOO CHAIR

Model : YUME ESPOIR/YUME SUITE/YUME NOBLE

Regulations this product conforms to:

The Electrical Equipment (Safety) Regulations 2016, S.I. 2016/110

The Electromagnetic Compatibility Regulations 2016, S.I. 2016/1091

The Supply of Machinery (Safety) Regulations 2008, S.I. 2008/1597

The Restriction of the Use of Certain Hazardous Substances in Electrical and Electronic Equipment Regulations 2012, S.I. 2012/3032 based on category 11 of PART 1, SCHEDULE I

EU Authorised representative

TAKARA COMPANY EUROPE GmbH

Berner Strasse 18, 60437

Frankfurt am Main, Germany



UK Authorised representative

TAKARA BELMONT(U.K.)LTD.

BELMONT HOUSE, ONE ST.ANDREWS WAY, BOW

LONDON E3 3PA, ENGLAND



**TAKARA  
BELMONT**



TAKARA BELMONT CORPORATION

2-1-1, Higashishinsaibashi, Chuo-ku, Osaka, 542-0083, Japan