

Takara Belmont Shampoo Units

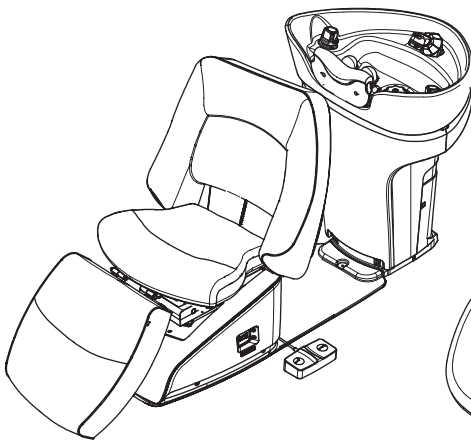
YUME ESPOIR II

YUME SUITE II

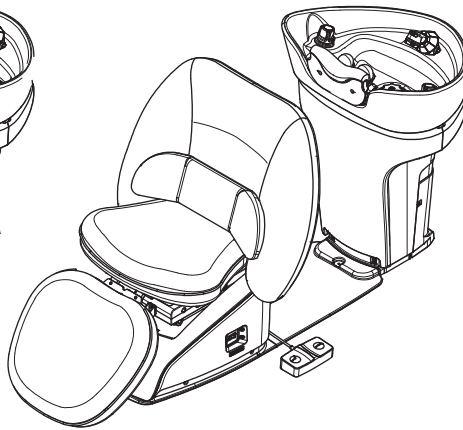
YUME NOBLE II

Model No. **AY-EXES2R***
AY-SCES2B*/AY-SCES2P*/AY-SCSB2*
AY-UES2B*/AY-UES2P*/AY-USI2*/AY-UNB2*

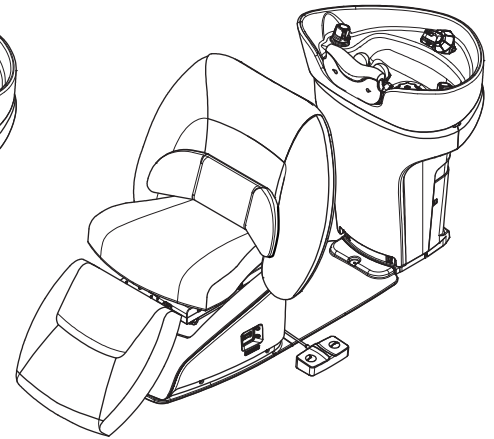
INSTALLATION INSTRUCTIONS



(This illustration shows
AY-EXES2R/AY-SCES2B/AY-UES2B.)



(This illustration shows
AY-EXES2R/AY-SCSB2/AY-USI2.)



(This illustration shows
AY-EXES2R/AY-SCSB2/AY-UNB2.)

To installers

- Please read the INSTALLATION INSTRUCTIONS carefully before installation and install the product correctly.
- After installation is complete, please give these INSTRUCTIONS to the customer.

To customers

- Please ask a professional or Takara Belmont to install the product.
- Never attempt to install the product by yourself.
- Please keep these INSTRUCTIONS in a safe place so as not to lose them.

* The actual product appearance and the images and dimensions given here are subject to change for improvement purposes without notice.

- The precautions listed here are intended for the safe installation of the product and to prevent hazards and damage to installers and other people.

All of these precautions contain important safety information. If an accident occurs due to failure to follow them, Takara Belmont is not liable for any hazards or damage to the installers or other people.

CAUTION

The items explained under this symbol are precautions that, if not followed, may result in mild or moderate injury or property damage from incorrect handling of the product.

Table of Contents

Before Installation	3
Usage Conditions	9
Package Contents	10
Carrying in the Equipment	14
Installing the Equipment	15
1 Installing the basin body	16
2 Plumbing	18
3 Inspection after plumbing.....	20
4 Installing the chair body	22
5 Removing the PP band	24
6 Wiring.....	24
7 Attaching the base cover	25
8 Operation check 1 (after assembling the chair body)	26
9 Attaching the backrest and seat	27
10 Operation check 2 (after attaching the backrest and the seat)	35
After Installation	35
Attaching the Neck Cushion	36
Attaching the Hair Catcher and Drain Cap	37
Product Fastening Location Diagram	38

Before Installation

Overall layout: ESPOIR 2

[In mm]

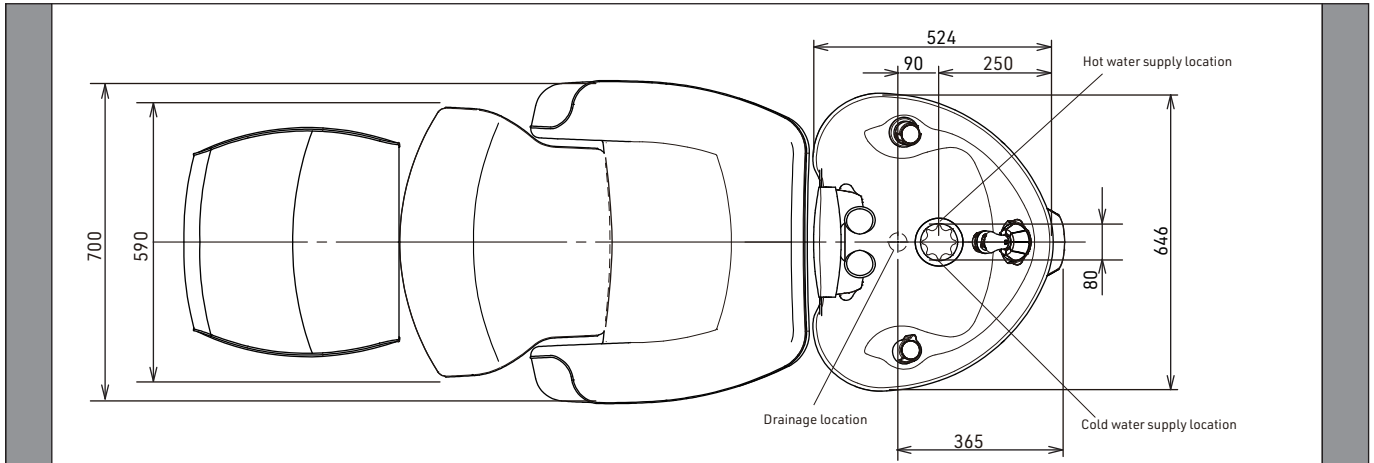
Basin body: AY-EXES2R [Back wash basin]

Chair body: AY-SCES2P [Premium]

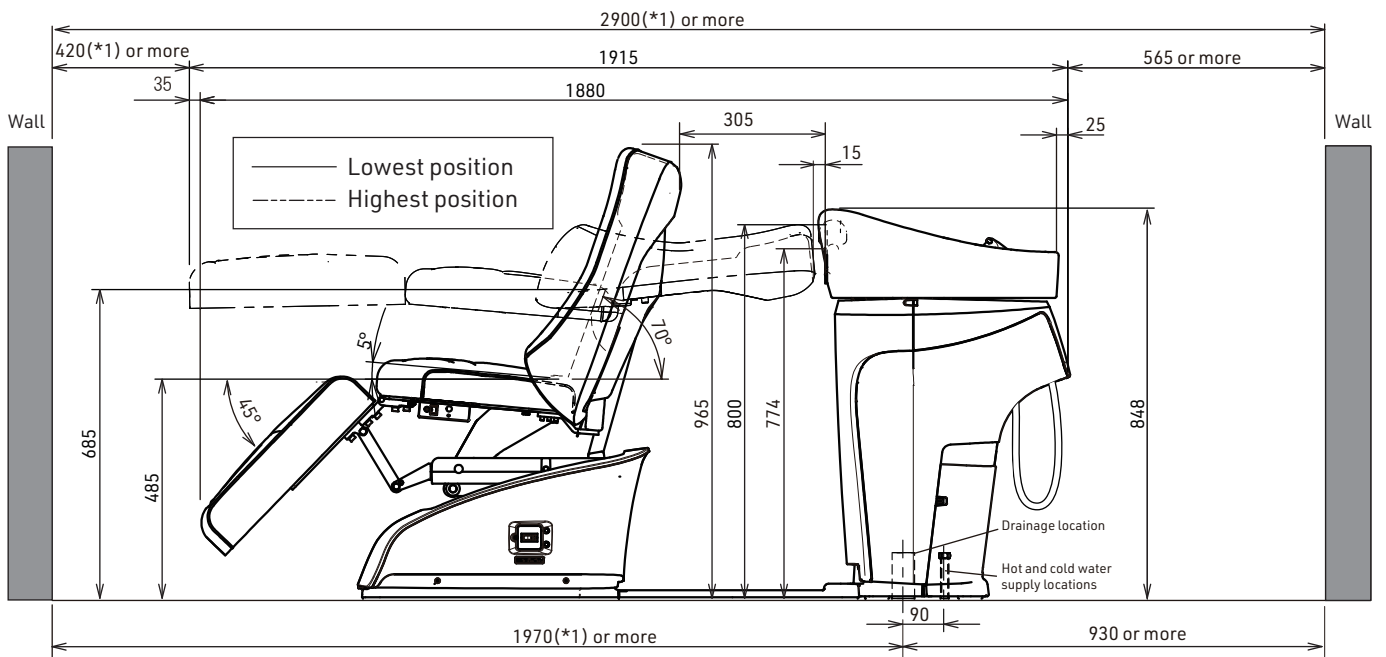
Seat: AY-UES2P [Premium]

(AY-UES2B [Basic] has the same dimensions.)

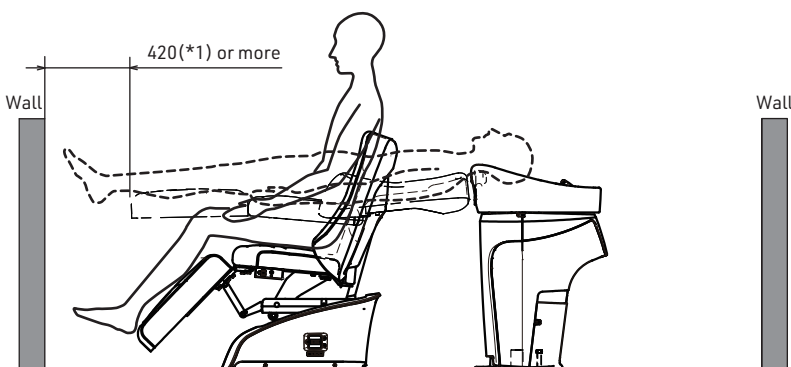
Top view



Side view



*1: Secure extra space when you are expecting a tall client or if the space is to be used as a passage.



* The dimensions and specifications given here are subject to change for improvement without notice.

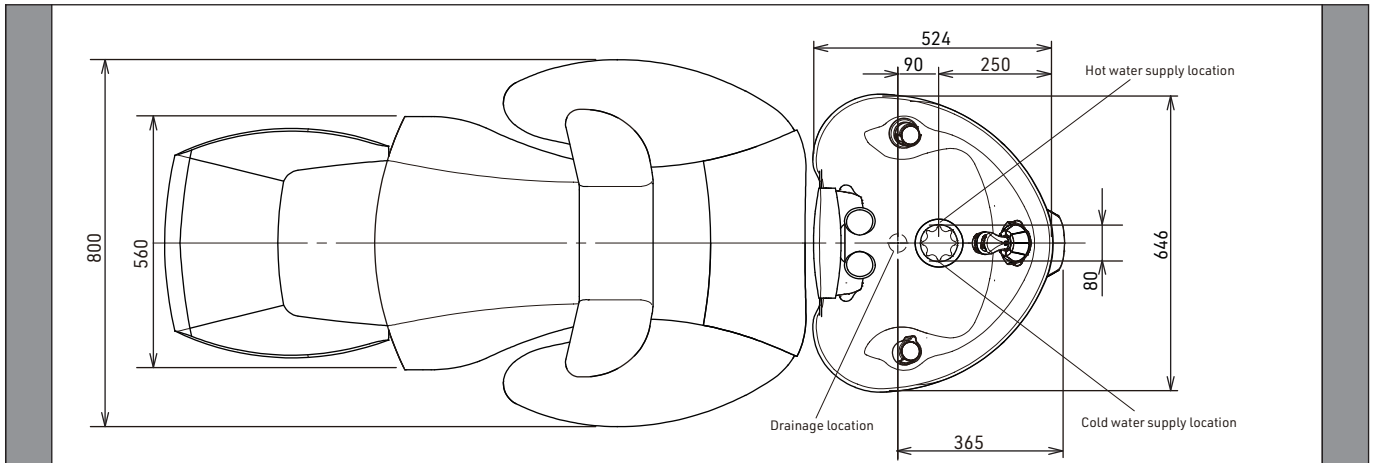
Before Installation

Overall layout: NOBLE 2

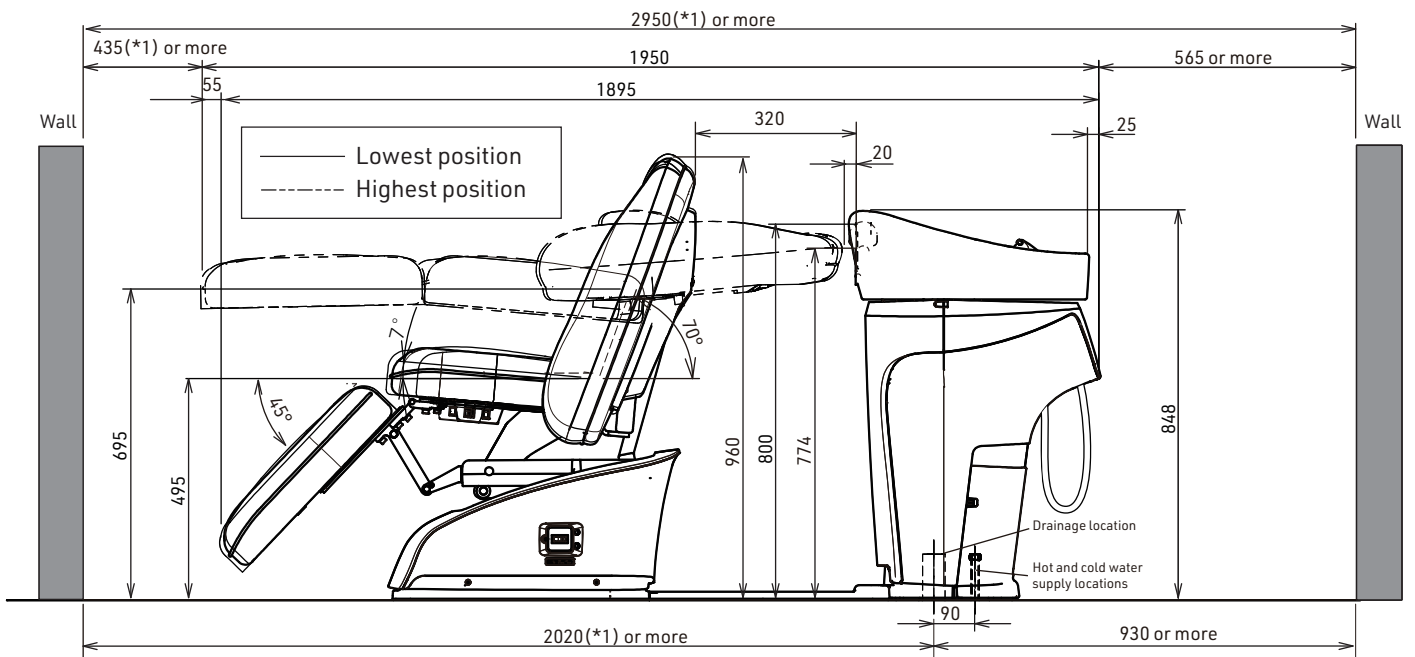
[In mm]

Basin body: AY-EXES2R [Back wash basin]
 Chair body: AY-SCSB2 [SUITE 2 NOBLE 2]
 Seat: AY-UNB2 [NOBLE 2]

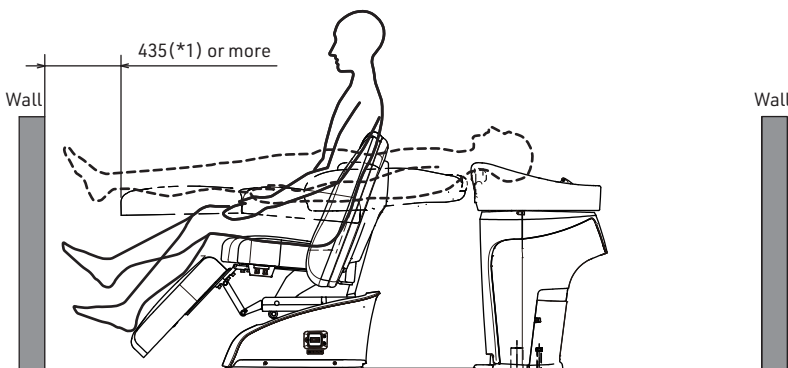
Top view



Side view



*1: Secure extra space when you are expecting a tall client or if the space is to be used as a passage.



* The dimensions and specifications given here are subject to change for improvement without notice.

Before Installation

About the power supply

Electric wiring must be carried out by a legally qualified electrician or designated contractor in accordance with the relevant laws and regulations.

To turn the power on, install the A, O, C-4, or BF plug.

When the plug is changed due to a reason related to the customer, install a power plug that is suitable for the product.

[Rated current]	[Rated frequency]	[Rated electricity consumption]		
		AY-SCES2B	AY-SCES2P	AY-SCSB2
110V Specifications	50/60Hz	4.3 / 2.8 A	4.5 / 3.0 A	4.6 / 3.1 A
120V Specifications	50/60Hz	5.7 / 3.4 A	5.9 / 3.6 A	6.0 / 3.7 A
220V Specifications	50/60Hz	1.7 / 1.6 A	1.8 / 1.7 A	1.8 / 1.7 A
230V Specifications	50/60Hz	1.9 / 1.6 A	2.0 / 1.7 A	2.0 / 1.7 A
240V Specifications	50/60Hz	2.1 / 1.7 A	2.2 / 1.8 A	2.2 / 1.8 A

- Plug this product into its own dedicated outlet.
Avoid the use of a power strip. A power strip may overheat and catch fire.
- Make sure to have a breaker and fuse prepared for each outlet.

Perform appropriate damp-proof treatment (e.g., measures against condensation) to prevent ingress of humidity into the product from below the floor.
Inadequate damp-proof treatment may result in electrical leakage and generation of rust on metal parts inside due to condensation.

About earthing

Provide a dedicated earth for this product to prevent accidents in the event of electric shock, and to improve the noise resistance of the control circuits.

- Perform earthing of Class D or higher.
Earthing of Class D or higher must be performed by a legally qualified technician in accordance with the relevant laws and regulations.
- Do not connect the earth wire to any of the following items:
 - Water pipe: If the pipe has a PVC or other plastic pipe section, the product will not be earthed.
 - Gas pipe: There is a risk of explosion or fire.
 - Telephone wire or lightning rod: If lightning strikes, there is danger of a large current flow.

Handling of the power plug

Check that there is no dust on the power plug, and make sure to insert the pins all the way in to ensure that the plug does not wobble. Dust or loose connection may result in electric shock or fire.

Handling of the power cord

Do not apply excessive force to the power cord or modify, twist, or bend the cord. Do not place the power cord under a heavy object or pinch it. It may be damaged, causing electric shock or fire.

Use of the electrical outlet

Be sure to use a separate outlet with an earth terminal.
Avoid daisy chaining. The power strip may overheat and catch fire.

Unplugging the product before inspection

Before inspection or adjustments inside the product, disconnect the power plug. Touching current-carrying electrical components may result in electric shock or damage to the components.

CAUTION

Before Installation

About plumbing

The matters listed below are important information regarding plumbing. Please read this information carefully and perform plumbing correctly.

- When installing the product, perform plumbing in accordance with the 'Precautions for plumbing' section of this document.
Careless plumbing may result in poor mixing, and hot water may not be supplied at a consistent temperature.
- This product is for indoor use only. Be sure to install it indoors.

Precautions for plumbing

- Cold water (primary water supply) pipes
 - Municipal direct water supply pipes: Ask a contractor designated by the local waterworks bureau to perform plumbing in accordance with the local laws and regulations, including the local water works bureau's plumbing standards.
 - Others (e.g., downfeed water pipes from an elevated water tank): Perform plumbing in accordance with the local laws and regulations, including the local waterworks bureau's plumbing standards.
- For cold water supply, do not use pipes made of materials that may rust.
As a general rule, use pipes made of vinyl or locally designated materials.
- For hot water supply, use Type L deoxidised copper pipes, as a general rule.
- As a general rule, the hot and cold water pipes should be of the same diameter and pressure.
- Be sure to deburr the cut ends of the pipes with a reamer.
- Avoid inverted U-shaped (siphon) plumbing. Air may become trapped.
- Before connecting the hot and cold water pipes, be sure to remove any dirt, sand, oil, and other debris from them. If left in the pipes, these contaminants may cause problems.
- After connecting the pipes and performing a hydrostatic test, clean the strainers and the shower head.
- If the drainage pipe is less than 75 mm in diameter, it must be installed at a slope of at least 1/50. If the pipe is 75 mm or more in diameter, it must be installed at a slope of at least 1/100.
- Do not reverse the hot and cold water pipes.
Reverse plumbing may cause poor temperature control with faucet fittings and other problems such as the risk of burns.
- The hot water pipe from the water heater should be as short as possible to minimise resistance.
If it is long, temperature fluctuation and poor hot water flow may result.
- After plumbing, be sure to wrap the pipes with insulation.
- Instructions for plumbing in a hot water boiler
 - As a general rule, the hot and cold water mains should be of the same diameter and pressure.
 - To install a hot water boiler, be sure to ask a professional to perform the work.
- The equipment comes with a built-in hair catcher.
- Pipe raising must avoid the product's anchoring locations.

Before Installation

Request for measures against water leaks under the floor and downstairs

In the event of water leakage, be sure to take measures against it.

Takara Belmont is not liable for any water leakage accidents caused by inadequate waterproofing measures.

- Make sure the flooring materials are waterproof.
- If there are any openings in the floor, seal them with interior (waterproofing) work.
- Also, attach the pipe gasket.
- As well as the above, perform waterproofing work to take comprehensive waterproofing measures.
- If the product is installed on an upper floor, be sure to take waterproofing measures (e.g, waterproofing work, installation of a stainless steel pan, or installation of water leak detectors).

About the floor surface

- Make sure the floor materials and floor finishing (flooring) materials are waterproof or water-proof-coated.
- The floor surface must be level (at a slope of less than 6/1000).
- Make sure the floor surface is smooth and free of bumps or steps in the installation area.
- Make sure the flooring materials do not become slippery when wet.
- If the product is installed on an upper floor, take waterproofing measures.
- About pipe raising

[Plumbing specifications]

Hot and cold water supply	Rc 1/2"
Drainage	VU40 / VP40

[Raising length]

	[Underfloor plumbing specifications]
Hot and cold water supply	100 mm
Drainage	100 mm

- If the floor is tiled or finished with similar materials, cracks may occur when the product is bolted for installation. In this case, replace the floor finishing material of the area that will come in contact with the product with plywood, mortar, etc., using the Product Fastening Location Diagram and the supplied template for reference.
- The floor surface must have the following strength:

Wooden floor	Reinforced with a plywood subfloor at least 30 mm thick (two or more layers of 15 mm thick boards).
Mortar floor	Mortar at least 50 mm thick
Floor made of special materials (e.g., stone)	A base with the above strength must be placed in the installation location.

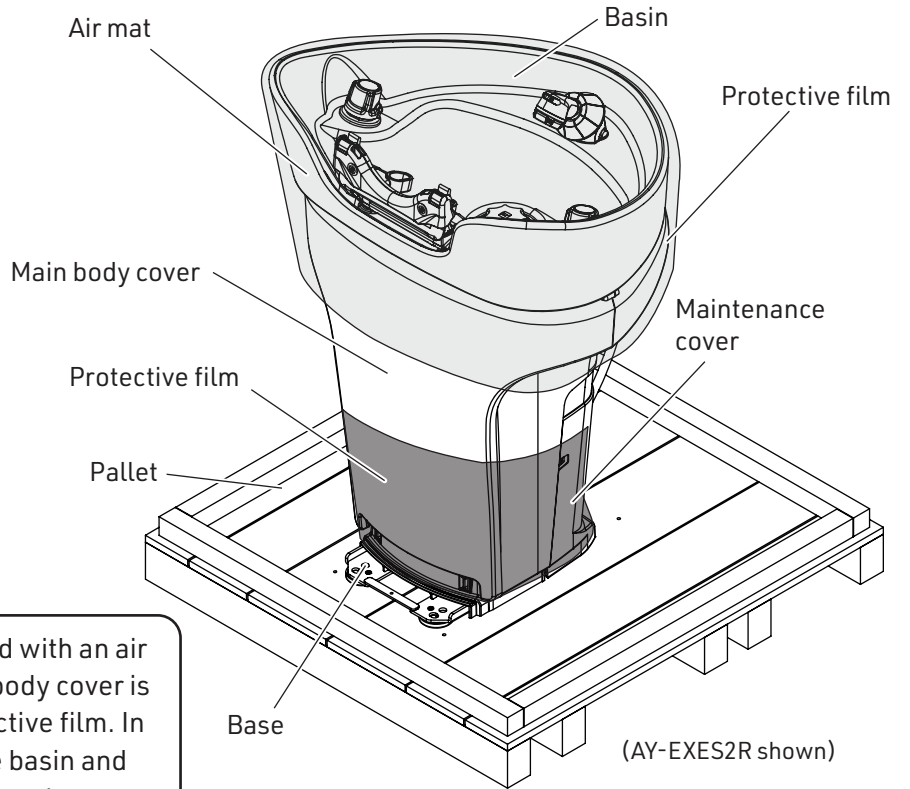
Usage Conditions

Hot and cold water supply conditions

Water for use	<ul style="list-style-type: none">• Tap water (Non-drinkable well water, hot spring water, or water that contains rust or sand must not be used.)• If the water has a hardness of 80 ppm or higher, it must be treated with a water softener to prevent the equipment from becoming clogged with scale. If drinkable well water is used, shampoo may not lather well, so the water should be treated with a water softener as well.
Hot and cold water supply pressures	<ul style="list-style-type: none">• The pressures need to be in the range of 0.1 to 0.4 MPa (1 to 4 kgf/cm²). Also make sure they do not fall below 0.1 MPa (1 kgf/cm²), even when multiple units are used simultaneously.• The cold water supply pressure should be greater than or equal to the hot water supply pressure.• The difference between the hot and cold water supply pressures needs to be within 0.2 MPa (2 kgf/cm²).
Temperature of hot water supplied to the equipment	<ul style="list-style-type: none">• Set the hot water supply temperature at up to 80°C.• Set it at least 10°C higher than the shower temperature.
Water heater	<ul style="list-style-type: none">• If an instant water heater is used, make sure its capacity is at least 16 litres. (For washing hair, one instant water heater is necessary per unit of this product.)• If a boiler with a hot water tank is used, see the manual of the boiler.• Do not connect a steam generator to the hot water pipe. The pipe may be damaged if hot water (or steam) of a temperature higher than the above-mentioned hot water supply temperature is generated and flows into the pipe.

Package Contents

Basin body



⚠ CAUTION

The basin is covered with an air mat, and the main body cover is wrapped in a protective film. In order to protect the basin and main body cover, do not remove the air mat or the protective film until just before the plumbing work.

Common to back and side wash basins

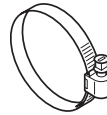
Drain cap...1



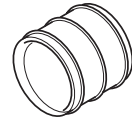
Hair catcher...1



Drain hose clamp...1



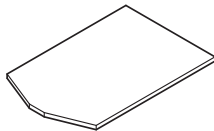
Drain hose gasket...1



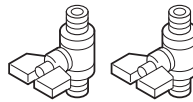
Set of fasteners to secure the basin body to the floor



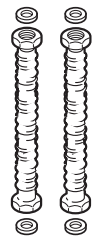
Pipe gasket (made of sponge)...1



Stop valves...2

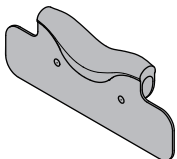


Flexible pipes...2



(L = 150 mm)

Neck cushion...1



Head cushions...1 pair

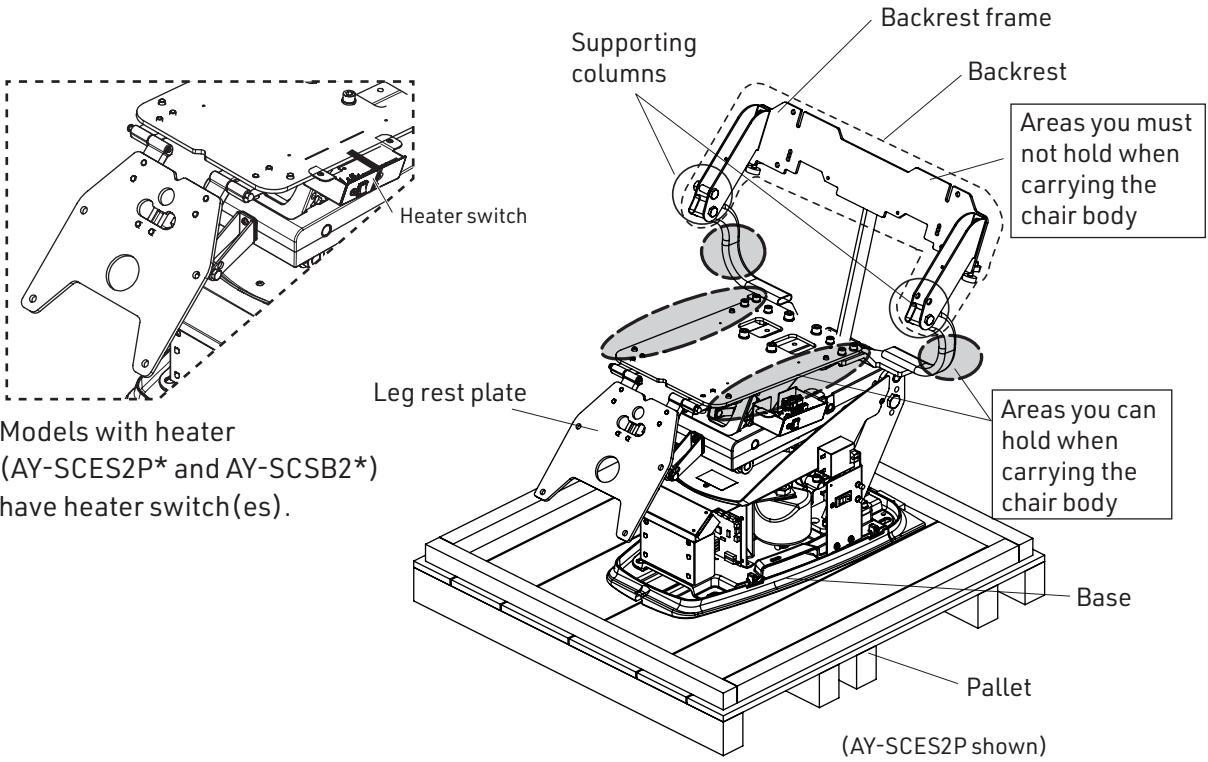


INSTALLATION INSTRUCTIONS (this document)...1

Operating Instructions...1

Information Regarding Regularly Replaced Parts...1

Chair body

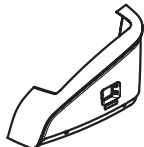


Common to all chair body models

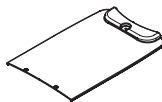
Base cover R



Base cover L



Base plate



Set of base cover fastening screws



Set of fasteners to secure the chair body to the floor

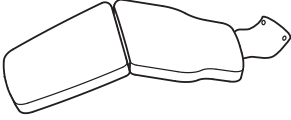


Package Contents

Seat

ESPOIR II

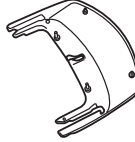
Seat



Backrest



Backrest cover



Set of seat fasteners

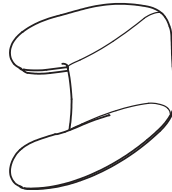


SUITE II

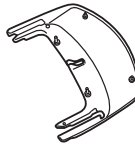
Seat



Backrest



Backrest cover



Set of seat fasteners



Lumbar cushion

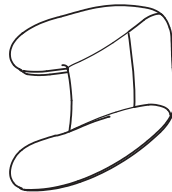


NOBLE II

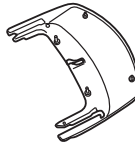
Seat



Backrest



Backrest cover



Set of seat fasteners



Lumbar cushion

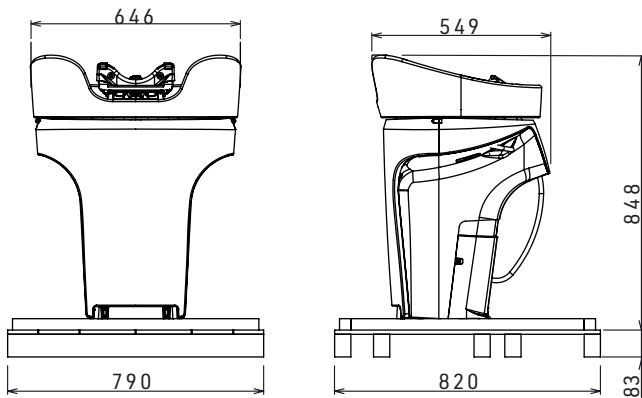


Package Contents

Basin body

Back wash basin

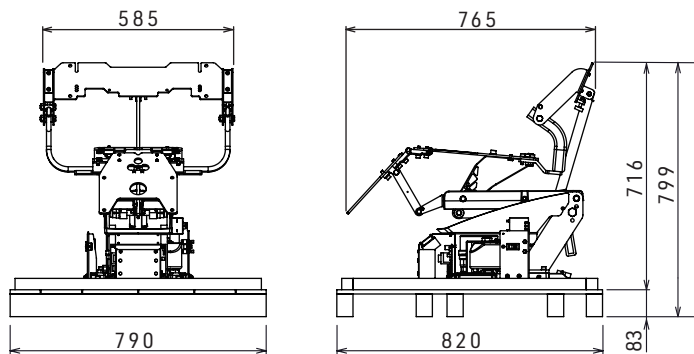
Basin body 36.5 kg, pallet 20 kg



Chair body

ESPOIR II, SUITE II, NOBLE II

Chair body 43 kg, pallet 20 kg

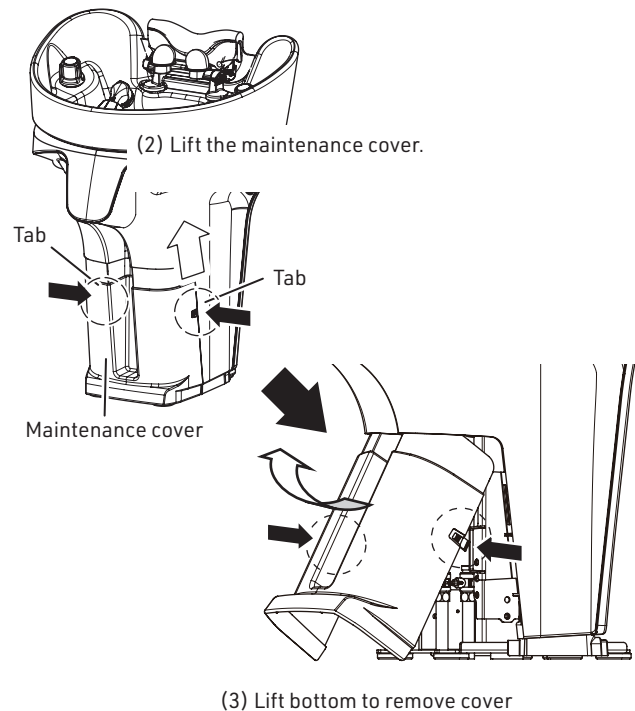


Carrying in the Equipment

Carrying in the basin body

1 Remove the maintenance cover.

- (1) Remove the protective film from the maintenance cover.
 - * Keep the protective film on the main body cover when you remove the maintenance cover.
- (2) While lightly pressing the left and right tabs, lift the maintenance cover about 20 mm.
- (3) While further pressing the tabs, lift the bottom of the maintenance cover to remove the cover.



2 Remove the basin body from the pallet.

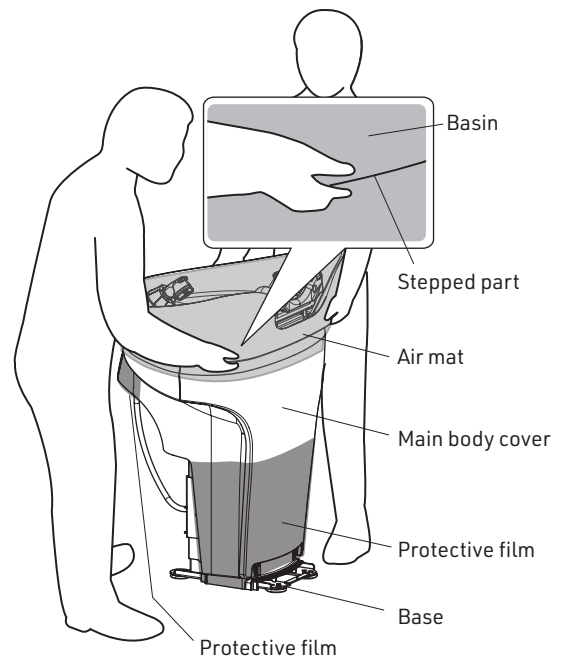
- While holding the basin body, remove the (four) bolts that fasten the base to the pallet.

CAUTION

Be sure to work in pairs. When removing the bolts, the basin body may fall over if not supported.

3 Carry the basin body.

- Carry the basin body with the air mat on the basin and the protective film on the main body cover.
- When carrying the basin body, hold the stepped part at the bottom, not the main body cover. The basin body must be carried by two people. (See the illustration on the right.)



CAUTION

- Never hold the main body cover to carry the basin body. The main body cover may become damaged.
- The basin is heavy and fragile. Handle it with care.
- Never drag the basin body by holding the (ceramic) basin. The metallic legs may scratch the floor or the basin may break.
- Before carrying the basin body, remove any metal items such as your watch or belt. If they rub against the basin, they will leave marks.
- Be extremely careful not to damage the covers.
- Be careful not to touch the pipes connecting to the basin body. A water leak may result.
- The basin body is unstable when it is not fastened to the floor. Be careful not to let it fall.

Carrying in the Equipment

Carrying in the chair body

1 Remove the chair body from the pallet.

- While holding the chair body, remove the (four) bolts that fasten the legs to the pallet.

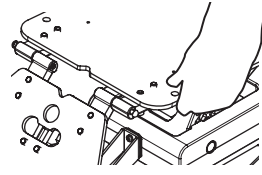
2 When carrying the chair body

- Hold the specified areas. [See page 11.] The chair body must be carried by two people. (See the illustration on the right.)

CAUTION

Keep the PP band on until the installation is complete.

Areas to hold when carrying it



Areas to hold when carrying it



CAUTION

- Keep the PP band attached to the chair body until the installation is complete. Otherwise, the chair body will not be stable when carried, and mechanical failure or injury may result.
- Never hold the backrest to carry the chair body. Malfunction or mechanical failure of the chair body may result.
- Do not drag the chair body. The metallic legs may scratch the floor or become damaged, causing malfunction, mechanical failure, or falling of the chair body.

Installing the Equipment

* Be sure to install this product following the steps below. Otherwise, the basin body or chair body may not be installed correctly.

Equipment installation steps

1 Installing the basin body



2 Plumbing



3 Inspection after plumbing



4 Installing the chair body

- (1) Attaching the base plate to the basin body
- (2) Attaching the chair body to the base plate
- (3) Installing the chair body



5 Removing the PP band



6 Wiring

- Connecting the power cord



7 Attaching the base cover



8 Operation check 1

(after assembling the chair body)



9 Attaching the backrest and seat

[ESPOIR II]

- 1 Attaching the backrest
- 2 Attaching the seat
- 3 Connecting the heater cord (ESPOIR II Premium with heater only)

[AY-SCES2P*/AY-UES2PH*]

[SUITE II] [NOBLE II]

- 1 Attaching the backrest
- 2 Attaching the seat
- 3 Connecting the heater cords (SUITE II, NOBLE II with heaters only)

[AY-SCSB2*/AY-USI2H*] [AY-SCSB2*/AY-UNB2H*]



[Common to the ESPOIR II, SUITE II, and NOBLE II]

- 4 Lowering the seat to the lowest position
- 5 Attaching the apron
- 6 Attaching the backrest cover



10 Operation check 2

(after attaching the backrest and the seat)

Installing the Equipment

CAUTION

- Before fastening the basin body and the chair body, be sure to mark their fastening locations on the template.
Also, when installing the chair body, do not rely solely on the markings. Be sure to use the base plate as a reference to visually check the installation location.
- Before the chair body is fastened with anchor bolts, it is recommended to place it temporarily and check the actual distance from the basin body.

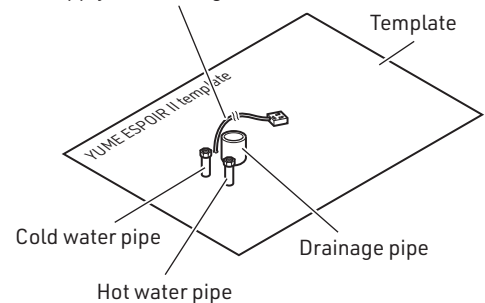
1 Installing the basin body

1 Mark the bolting (anchoring) locations.

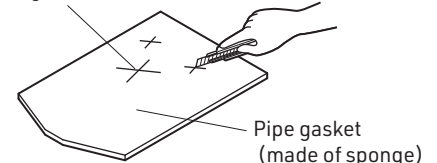
- Use the supplied template to carefully check the pipe raising length and method to prepare for installation.
 - * If you raise a power cord (for installation) from under the floor near the water supply and drainage locations, mark it on the template just as you mark them, as described below.
- (1) On the floor, align the supplied template with the pipe raising locations of the hot water, cold water, and drainage pipes. Fasten the template to the floor.
 - (2) Mark the template with the locations where the basin body and the chair body are to be bolted (anchored).
 - (3) Drill holes at the basin body bolting (anchoring) locations. (See steps (1) and (2) of 'Anchor bolt installation procedure'.)
 - (4) Remove the template.

Power cord (for installation)

* To be marked only if you raise it from under the floor near the water supply and drainage locations



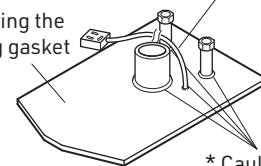
Making cross cuts



Power cord (for installation)

* To be marked only if you raise it from under the floor near the water supply and drainage locations

* Adhering the piping gasket



* Caulking required

2 Attach the pipe gasket.

- (1) Make cross cuts in the pipe gasket at the pipe raising locations.
- (2) Peel off the liner from the adhesive side of the pipe gasket, and adhere the gasket to the floor.
- (3) Round the cross cuts in the pipe gasket to fit the sides of the raising pipes. Then, caulk the gaps around the pipes.

CAUTION

- In order to prevent condensation inside the basin body and also prevent water from getting under the floor in the event of a leak, be sure to attach the pipe gasket and be sure to fill in any gaps with caulking.
- Failure to attach the pipe gasket may cause condensation, resulting in water accumulation under the floor, or the deterioration or failure of structural components.
- If you raise the power cord (for installation) from under the floor near the water supply and drainage locations, apply caulking as described above.

1 Installing the basin body

3 Install the basin body.

- (1) Carry the basin body by holding the stepped part at the bottom, and position the basin body by aligning it with the holes you have drilled.



CAUTION

When carrying the basin body, do not drag it. Damage to the floor may result.

- * If you raise the power cord (for installation) from under the floor near the water supply and drainage locations, pass it under the bridge plate in the centre of the base to bring it out on the chair side.



CAUTION

Be careful not to let the power cord (for installation) become pinched under the base. Otherwise, fire, electric shock, or tilting of the basin body may result.

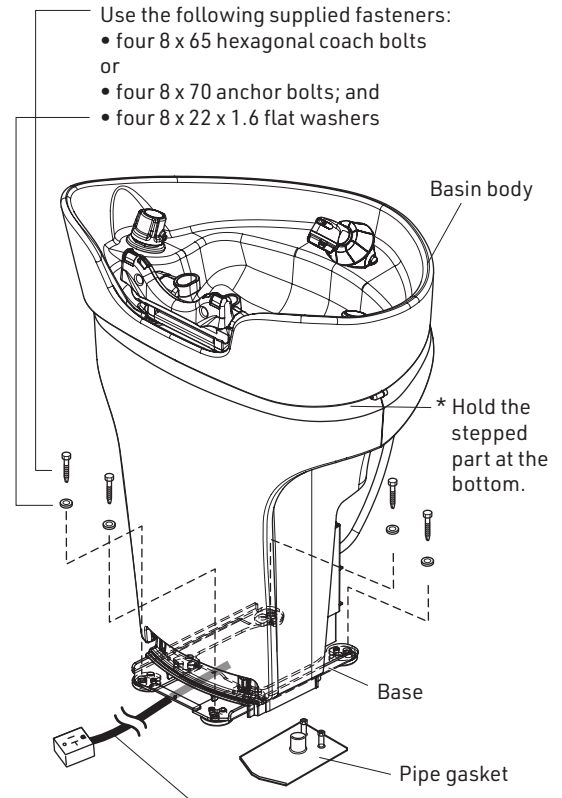
- (2) If the piping gasket is partly tucked into the bottom of the basin body (base), move the basin body aside temporarily, and cut out the part of the piping gasket that has become tucked in.



CAUTION

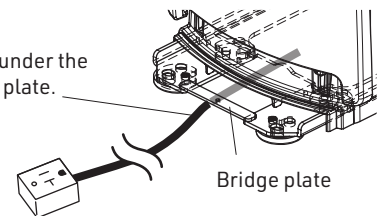
Do not fasten the basin body with the piping gasket partly tucked into its bottom (base). The basin body may tilt, or it may topple over due to improper fastening.

- (3) Bolt (anchor) the basin body. Make adjustments so that the basin body is not tilted.



- * If you raise the power cord (for installation) from under the floor near the water supply and drainage locations, pass it to the chair side (at least 1,300 mm from the location where the cord is raised through the floor).

- * Pass it under the bridge plate.

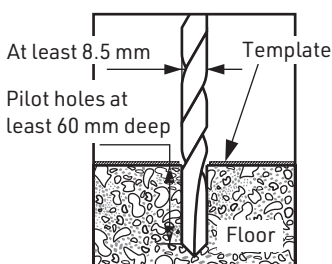


Anchor bolt installation procedure

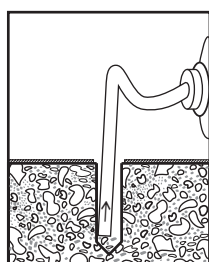


CAUTION

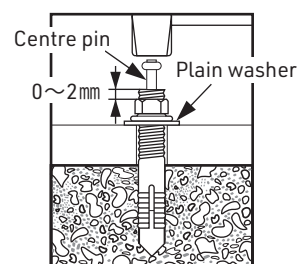
- When driving an anchor into a pilot hole, place it above the bottom of the hole. Otherwise, its strength will decrease.
- When installing each anchor bolt, make sure its threaded part extends 0~2 mm above the nut. If the part extends more than 2 mm above the nut, the bolt head may interfere with the cover.



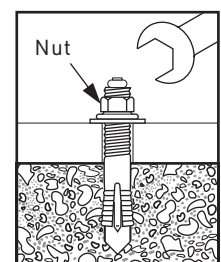
- (1) Drill pilot holes to the specified diameter and depth.



- (2) Vacuum the chips out of the holes using a dust collector or similar tool.



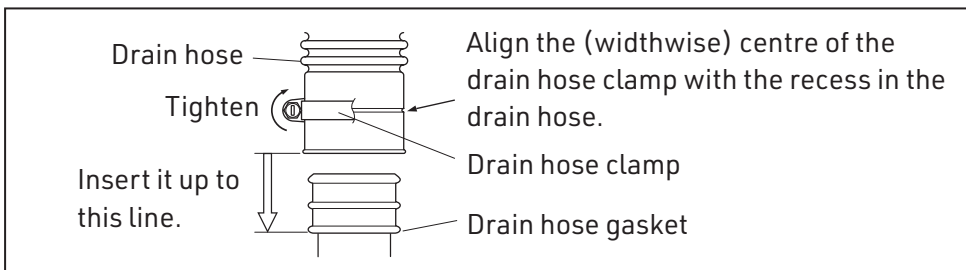
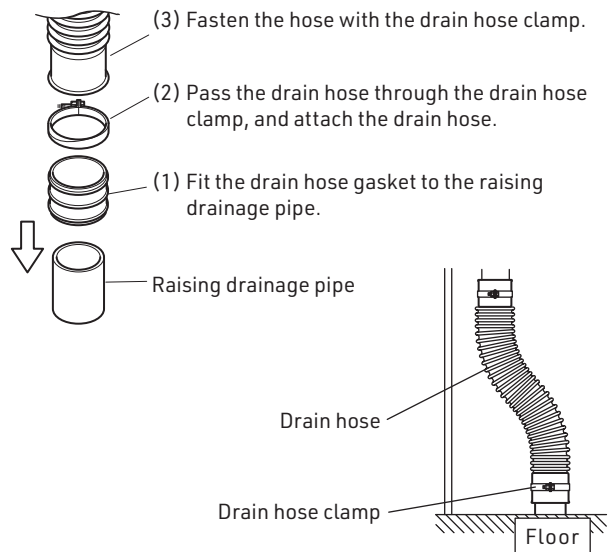
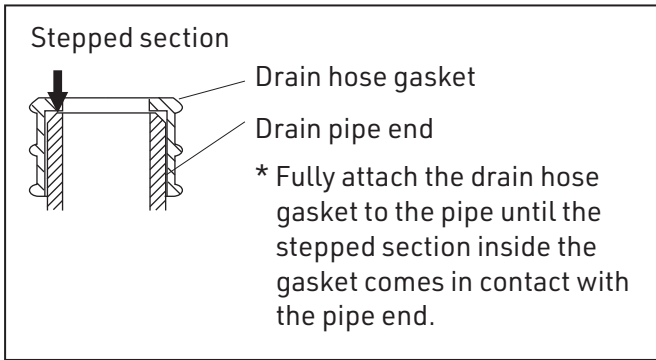
- (3) Insert an anchor bolt, and hammer the centre pin until it is aligned with the top of the bolt.



- (4) Adjust the tightness of the nut using a wrench or similar tool.

2 Plumbing

1 Attach the drain hose to the raising drainage pipe.

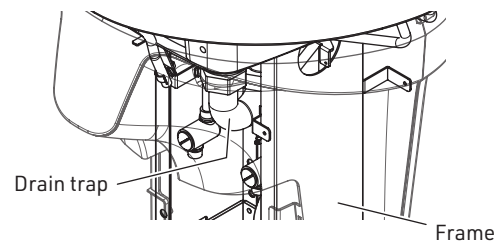


⚠ CAUTION

- Make sure the drain hose is not kinked or scratched. Otherwise, the wastewater may not flow smoothly, or the drain hose may become damaged.
- Make sure the drain hose clamp is securely attached. If loose, the drain hose may leak or become detached.
- Make sure there is no double trapping. Double trapping will result in poor wastewater flow. If there is double trapping, check the installation position of the basin body and the pipe raising length, and then make adjustments.

* About the drain trap

If water leakage occurs due to damage to the drain trap, etc., contact your local authorised Takara Belmont dealer.



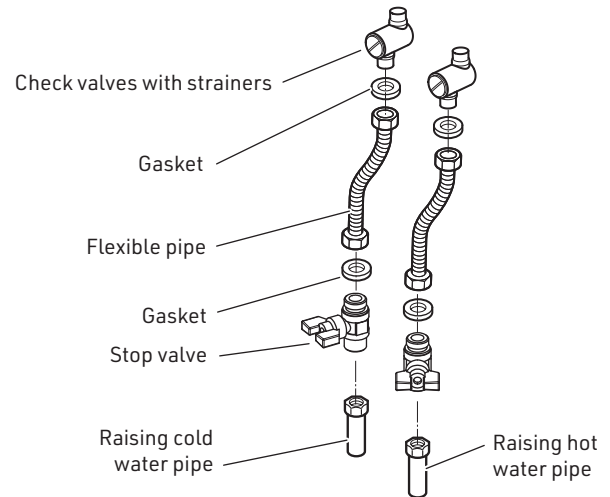
2 Plumbing

2 Install the hot and cold water pipes.

⚠ CAUTION

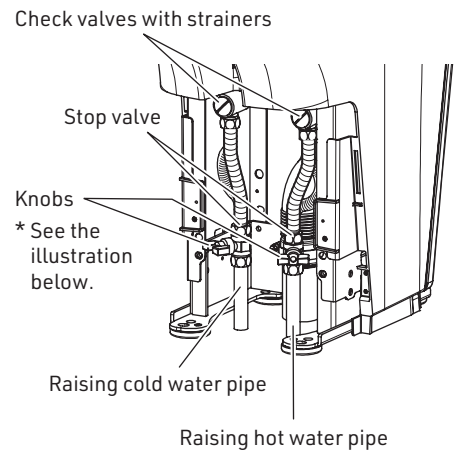
- Before connecting the pipes, be sure to remove any dirt, sand, oil, and other debris from them.
- Make sure any gaps around the bottom of the raising pipes are completely filled with caulking or similar materials.

- (1) Make sure the pipes have been raised in accordance with the product specifications (installation, plumbing, and height) and as instructed in the 'Product Fastening Location Diagram' [page 38] and on the template.
- (2) Attach the stop valves to the raising hot and cold water pipes. When attaching the stop valves, be careful with the orientation of their knobs.
- (3) Bend each flexible pipe to align its ends with the check valve with a strainer and the stop valve.
- (4) Place a supplied gasket onto the top of each flexible pipe, and attach the pipe to the check valve with a strainer.
- (5) Place a supplied gasket onto the bottom of each flexible pipe, and attach the pipe to the stop valve.

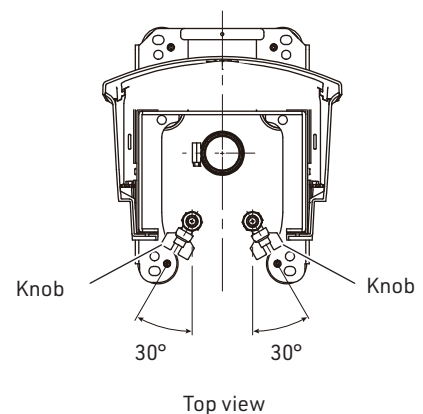


⚠ CAUTION

- When installing the hot and cold water pipes, be careful not to touch the pipes on the basin body. A water leak may result.
- Be sure to attach the supplied gaskets. If the product is used without the gaskets, a water leak will result.
- Do not connect the hot and cold water pipes in reverse.
- Make sure there are no water leaks from the connections.



Make sure the knobs are oriented 30° to the left and right as shown in the illustration.



3 Inspection after plumbing

1 Perform a hydrostatic test.

⚠ CAUTION

- Be sure to perform a hydrostatic test to prevent accidents during use.
- The tap (on the basin body) is not fully tightened at the time of shipment from the factory. When you open the stop valves (ball valves), water may come out of the shower head.

* Turn on the water to perform the checks listed below. The water will be cloudy for a while after you turn the water on, but this is not indicative of abnormality.

* The thermostat of this product is designed not to dispense hot water of a temperature of about 49°C or higher.

(The values above assume that the water supply pressures are the same and that the cold and hot water supply temperatures are 20°C and 60°C, respectively. It depends on the actual water heater and plumbing environment.)

(1) Check whether there is any water leakage from the pipe connections.

Also check the piping connections inside the basin body carefully as they may have become loose during transportation.

(2) Check that the hot and cold water supply pressures are the same and constant.

If the pressures are not the same, see 'How to fix thermostatic control problems' [page 21].

(3) Check that the water temperature is properly controllable.

If the water temperature is not properly controllable, see 'How to fix thermostatic control problems' [page 21].

(4) Check that the flow rate is sufficient, using the following criteria as a guide.

Water dispensing conditions	
Hot and cold water supply pressures	Both 0.1 MPa
Low splash foaming mode	40°C

Standard flow rate	
Shower mode	About 10.0 L/min
Low splash foaming mode	About 6.6 L/min

2 Clean the parts.

- After performing the hydrostatic test and checking that the cloudy water has become clear, be sure to clean the strainers (built into the check valves) and the shower head.

⚠ CAUTION

Failure to clean them may result in insufficient flow rate or poor thermostatic control. During the cleaning, be careful not to damage or lose the O-ring or the gasket.

Remove the strainers and clean them to remove any debris inside.

Check valve with a strainer

Strainer

Sides to clean:

both front and back

Shower head plate

Foaming water outlet

Turn counterclockwise to remove

Rubber gasket

Shower head body

Remove these parts to clean them. Remove any debris that has accumulated inside the shower head plate.

3 Inspection after plumbing

How to fix thermostatic control problems

■ Problems that may occur

- (1) The hot water is not dispensed properly (it becomes hotter or colder).
- (2) The hot (high temperature) water does not turn on.
- (3) The cold (low temperature) water does not turn on.

■ Possible causes

- (1) Significant difference between the hot and cold water supply pressures, or the hot water supply pressure being higher than the cold water supply pressure
[Recommended conditions: Cold water supply pressure \geq Hot water supply pressure (The difference between them should be up to 0.2 MPa.)]
- (2) Hot and cold water supply pressures higher than expected [Recommended range: 0.1 to 0.4 MPa (1 to 4 kgf/cm²)]

■ Corrective measures

Attach a pressure reducing valve (sold separately) to the top (on the thermostat side) of the check valve with a strainer.

(It is recommended that the hot and cold water supply pressures be the same.)

* To enquire about pressure-reducing valves, contact your local authorised Takara Belmont dealer.

3 Reattach the maintenance cover to the basin body.

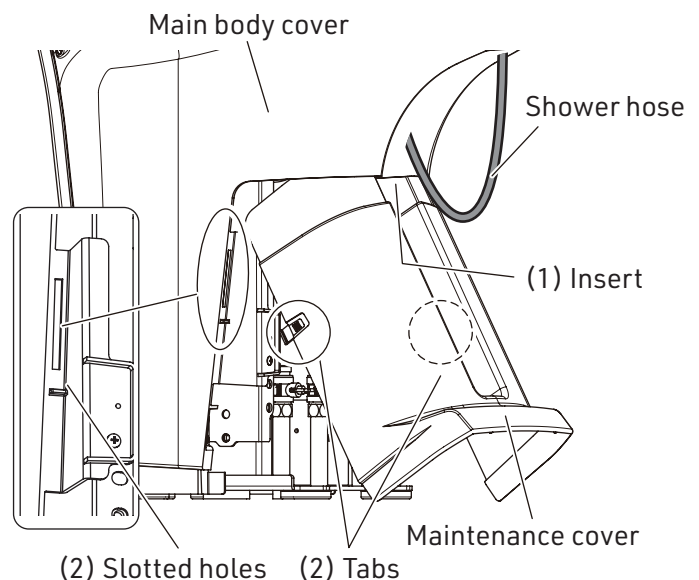
⚠ CAUTION

- When attaching the maintenance cover, be careful not to let it hit other parts. Scratches or mechanical failure may result.
- When attaching the maintenance cover, be careful not to let it pinch the shower hose. Damage to the equipment may result.
- Depending on the orientation of the stop valve knobs, they may interfere with the maintenance cover. In that case, remove the knobs and then attach the maintenance cover.

* Before attaching the cover, check that there are no scratches or stains on it. If this pre-inspection reveals any problems, contact your local authorised Takara Belmont dealer.

- (1) Insert the top end of the maintenance cover inside the main body cover.
- (2) Fit the two tabs on the maintenance cover (one on each side) into the slotted holes in the main body cover.

* If there is a gap between the floor and the maintenance cover, push the maintenance cover down to the floor.



4 Installing the chair body

CAUTION During installation, never turn on the power of the chair body.

1 Attach the base plate to the basin body.

- While pressing the base plate against the base of the basin body, fasten it with a screw.

[One M5 x 9 decorative screw]

[One rubber washer]

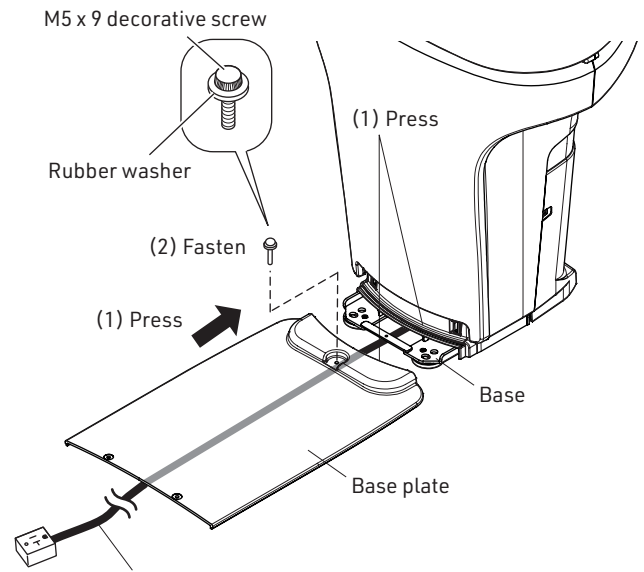
- If you raise the power cord (for installation) from under the floor near the water supply and drainage locations, pass it under the base plate to bring it out on the chair body side.

CAUTION

Be careful not to let the power cord (for installation) become pinched under the base plate. Otherwise, electric shock or tilting of the chair body may result.

CAUTION

Be sure to attach the rubber washer. If you fail to attach it, water may seep in, and the screw may become unremovable.



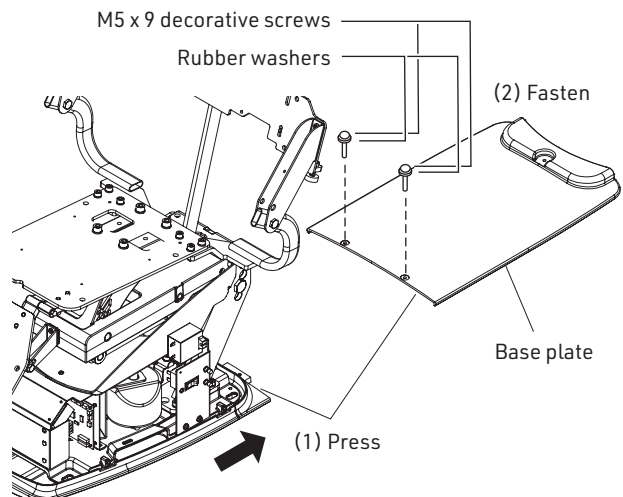
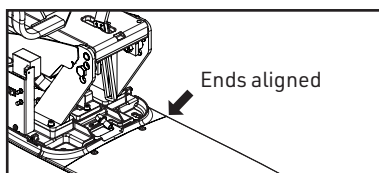
* If you raise the power cord (for installation) from under the floor near the water supply and drainage locations, pass it under the base plate to bring it out on the chair body side.

2 Attach the chair body to the base plate.

- While holding the specified areas [see page 11] of the base of the chair body and pressing the base against the end of the base plate, fasten the base with decorative screws.

[Two M5 x 9 decorative screws]

[Two rubber washers]



CAUTION

- When positioning the chair body to fasten it with the anchor bolts, do not rely solely on the fastening locations marked on the template. Be sure to place the chair body temporarily and check the actual distance from the basin body to position and install the chair body.
- When fastening the chair body, be sure to check that the base plate is not warped and that there is no large gap between the base plate and the floor. If you notice any abnormalities, check that the screws are properly tightened and that the floor is not distorted.
- Be careful not to let the power cord (for installation) become pinched under the chair body. Otherwise, electric shock or tilting of the chair body may result.

4 Installing the chair body

3 Install the chair body.

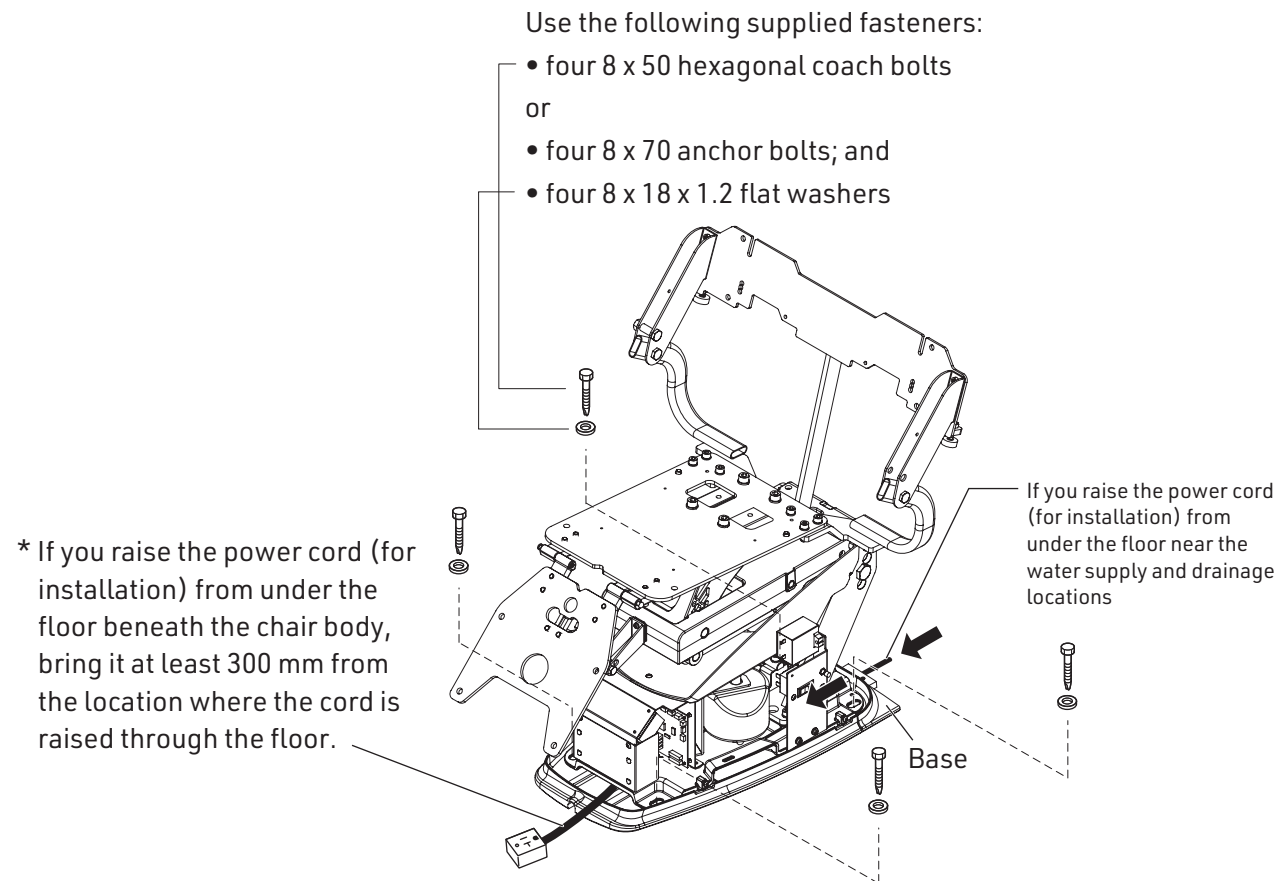
If you raise the power cord (for installation) from under the floor near the water supply and drainage locations

The power cord (for installation) comes out from under the base plate. Pass the cord under the base of the chair body to bring it to the power outlet connecting area.

If you raise the power cord (for installation) from under the floor beneath the chair body

The power cord (for installation) is raised from under the floor. Bring the cord to the power outlet connecting area, as shown in the 'Product Fastening Location Diagram' [page 38].

- Check that the chair body is oriented correctly in relation to the basin body. Then, fasten the chair body with the bolts (anchors). (See 'Anchor bolt installation procedure' [page 17].)



CAUTION

- When driving an anchor into a pilot hole, place it above the bottom of the hole. Otherwise, its strength will decrease.
- When installing each anchor bolt, make sure its threaded part extends 0–2 mm above the nut. If the part extends more than 2 mm above the nut, the bolt head may interfere with the cover.

5 Removing the PP band

- Remove the PP band and caution label from the chair body.

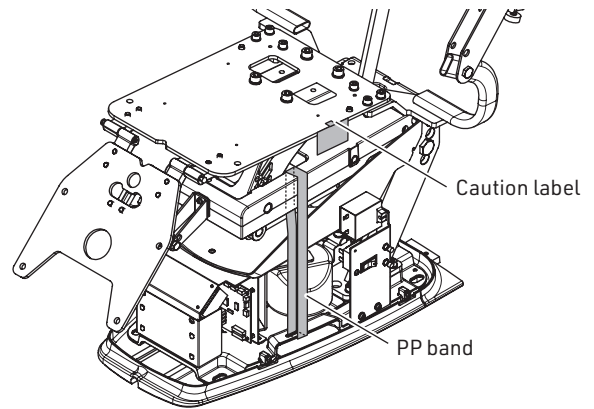
CAUTION

Be sure to remove them.
Operating the chair body with the PP band on may cause malfunction or mechanical failure of the chair body.

- * If the chair body is moved to a different location

CAUTION

If the chair body is moved to a different location, the PP band must be reattached. Without the band, the areas to hold when carrying the chair body [page 11] will not be steady, and mechanical failure of the chair body or injury may result.

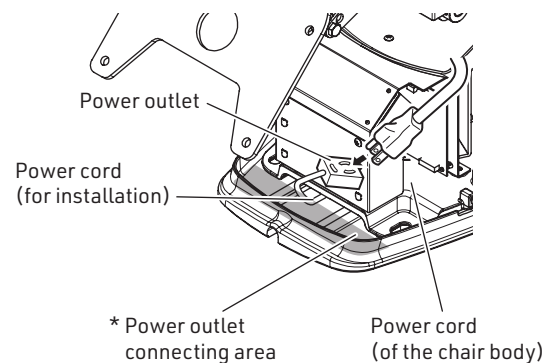


6 Wiring

1 Connect the power cord.

Insert the power cord (of the chair body), which comes from the chair body, into the power outlet on the power cord (for installation).

- * When connecting the power cord (of the chair body) to the power outlet, make sure the power cord is connected in the power outlet connecting area and is placed on top of the base. [See page 38.]



7 Attaching the base cover

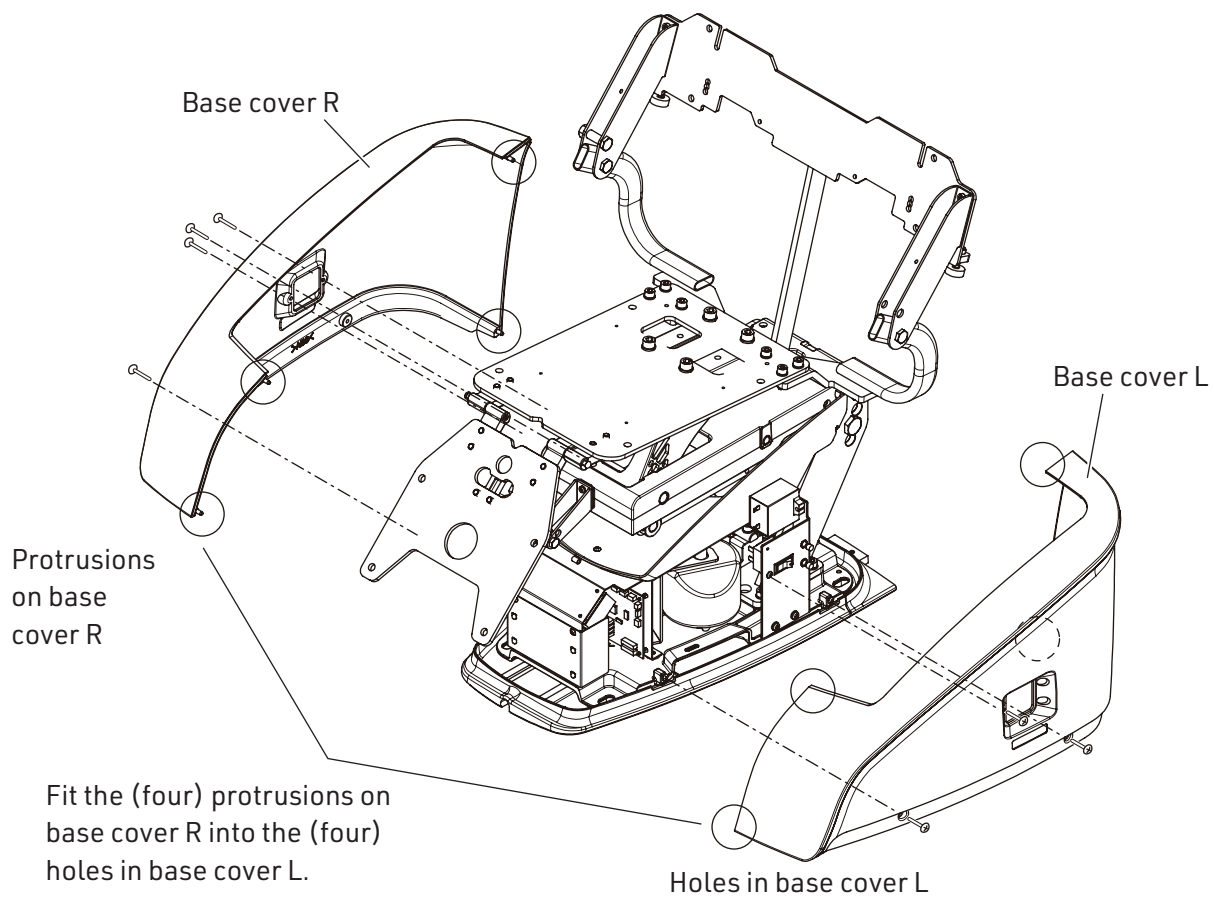


When attaching the cover, be careful not to let it hit other parts or pinch the wiring of the electrical components. Scratches or mechanical failure may result.

* Before attaching the cover, check that there are no scratches or stains on it. If this pre-inspection reveals any problems, contact your local authorised Takara Belmont dealer.

1 Attach base covers L and R to the chair body.

Fit the protrusions on base cover R into the holes in base cover L to attach these base covers together to the chair body, and fasten them [with seven M4 x 10 truss screws].



Make sure a tube is fitted in each hole in base cover L.



While attaching the covers, be careful not to turn on the power switch. Otherwise, if the foot switch is pressed accidentally, the chair body may start moving, resulting in an incident or damage to the equipment itself.

8 Operation check 1 (after assembling the chair body)

CAUTION

- Check again that the PP band has been removed. ('5 Removing the PP band' [page 24])
- Make sure there are no people or obstacles near the chair body beforehand.

(1) Press the right side (marked 'I') of the power switch to turn on the power.

(2) Step on the foot switch, and check that the chair body operates as follows:

- When you step on the UP switch, the seat will go up. When you step on the DOWN switch, the seat will go down.
- When you step on the UP switch for one second or more, a beep will sound, and the seat will go up to the highest position and stop automatically.
- When you step on the DOWN switch for one second or more, a beep will sound, and the seat will go down to the lowest position and stop automatically.

(3) When the operation check is complete, check the installation as listed below.

<Check items>

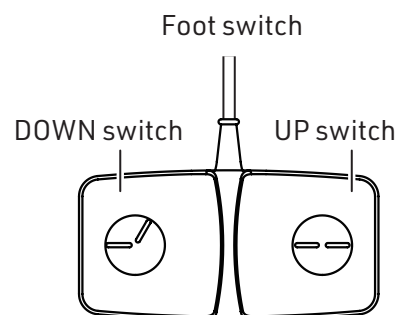
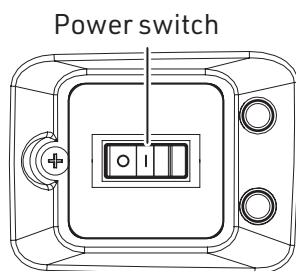
- | |
|--|
| - There are no large steps or gaps where the covers meet. |
| - There are no large gaps between the covers and the floor or between the base plate and the floor. |
| - When the chair body is in operation, the covers and the base plate do not resonate or vibrate with each other. |



If you notice any abnormalities, check that the screws are properly tightened, and if necessary, undo and tighten them.

(4) Step on the DOWN switch on the foot switch for one second or more. A beep will sound, and the seat will go down to the lowest position and stop automatically.

(5) Turn off the power switch.



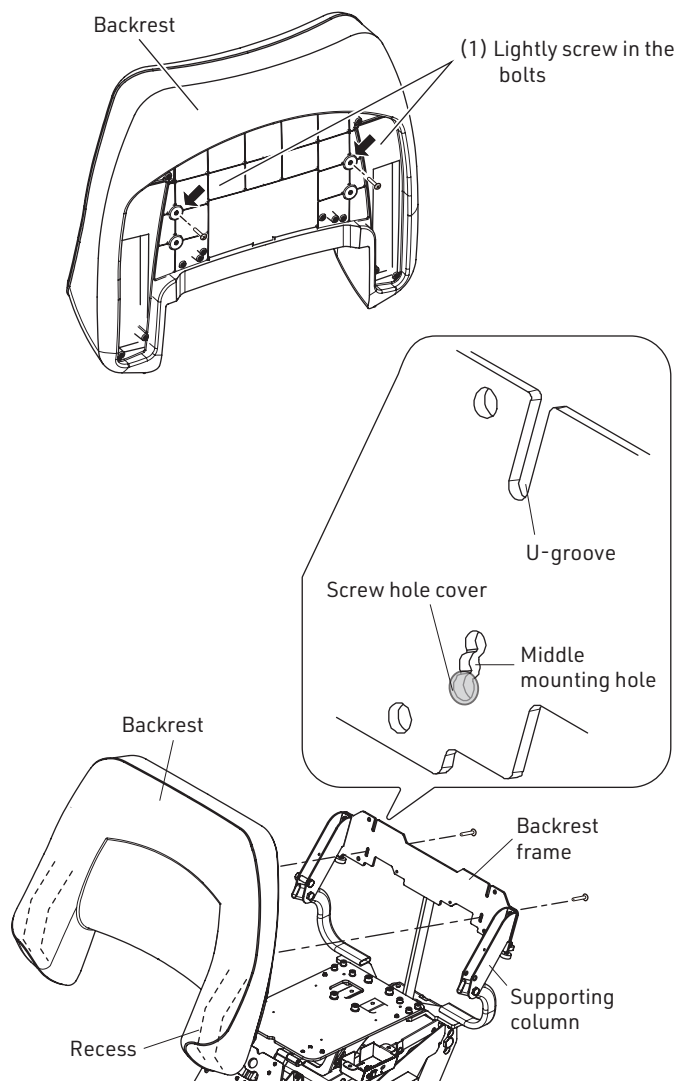
9 Attaching the backrest and seat

ESPOIR II

(For SUITE II or NOBLE II, go to page 30.)

1 Attach the backrest.

- (1) There are four screw holes on the backrest. In the two upper holes, lightly screw in two bolts. [Two M6 x 15 hexagonal bolts]
- (2) Insert these lightly screwed bolts into the U-grooves in the backrest frame. Align the backrest with the backrest frame so that the supporting columns fit into the recesses in the backrest.
- (3) Screw in bolts in the left and right middle mounting holes. [Two M6 x 15 hexagonal bolts]
- (4) Fully tighten the bolts in the U-grooves.
- (5) Turn on the power switch.
- (6) Press and hold the UP switch on the foot switch (step on it for one second or more, and a beep will sound) to lift the seat to the highest position.
- (7) Check the distance between the top of the backrest and the basin. For details, see 'How to adjust the distance between the top of the backrest and the basin (ESPOIR II)' below.
- (8) Turn off the power switch.



How to adjust the distance between the top of the backrest and the basin (ESPOIR II)

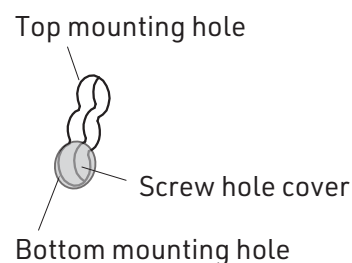
■ With the backrest reclined, perform the following checks:

- (1) Check that the top of the backrest does not interfere with the basin.
- (2) Check that there is not too much space between the top of the backrest and the basin. Also check that this space does not vary significantly from unit to unit.

(As a guideline, an appropriate distance between the top of the backrest and the basin is between about 10 mm and 20 mm.)

If the distance between the top of the backrest and the basin needs to be adjusted, do so as follows:

- To decrease the distance: Use the top mounting holes.
- To increase the distance: Use the bottom mounting holes.



9 Attaching the backrest and seat

ESPOIR II

2 Attach the seat.

<Movable leg rest type without heater>

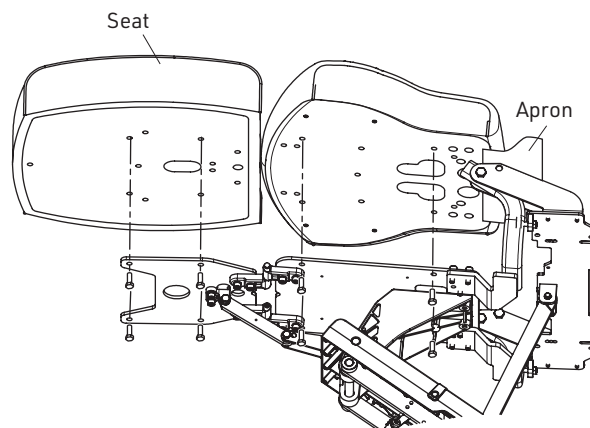
Bolt the seat to the chair body.

[Eight M8 x 20 hexagonal bolts]



CAUTION

When fastening the seat, be careful not to pinch the apron.



<Movable leg rest type with heater>

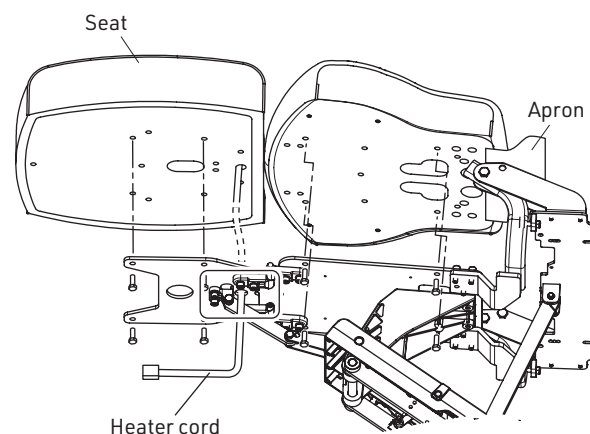
Bolt the seat to the chair body.

[Eight M8 x 20 hexagonal bolts]

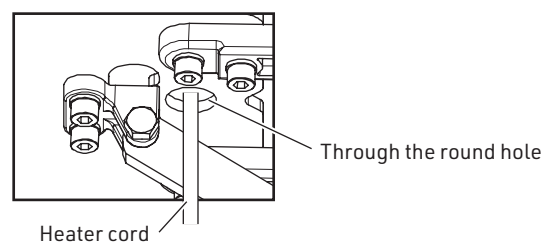


CAUTION

When fastening the seat, be careful not to pinch the apron or the heater cord.



* Models with a heater have a heater cord coming out from the back of the seat. Before fastening the seat, pass the heater cord through the round hole in the metal leg rest plate, as shown in the illustration on the right.



9 Attaching the backrest and seat

ESPOIR II Premium with heater

3 Connect the heater cord.

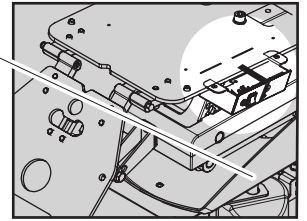
(For ESPOIR II Basic and Premium without heater, go to page 34.)

(1) Connect the heater cord coming out from the back of the seat to the connector inside the heater switch box.

* As shown in the illustration on the right, pass the heater cord through the unused loop of the cable tie inside the heater switch.

Heater switch section

* In the packing state, the heater switch section is fastened to the chair body with a cable tie. Cut the tie with pliers to remove it.



Packing state of a chair body with a heater (AY-SCES2P* shown)

CAUTION

- After connecting the cord to the connector, make sure the tab on the connector is engaged and cannot be disengaged when pulled.
- Be careful not to deform the terminal of the heater indicator light.

(Before connection)

Cable tie

Heater switch connector

Heater switch box

(1) Heater cord

* Pass it through this cable tie loop.

Heater switch connector

(2) Tighten the cable tie to secure the heater cord.

* The heater cord is marked with a line for alignment. With the cable tie aligned with the line, tighten the tie to secure the cord.

CAUTION

After securing the heater cord with the cable tie, pull the cord to make sure it will not come loose.

(2)

Heater cord

Orange tape

Cable tie

Line marked for alignment

* Align the cable tie with the line marked on the heater cord for alignment, and secure the cord with the tie.

(3) Store the connector and cord neatly inside the heater switch box. Fasten the heater switch section to the back of the seat.

[Two M6 x 20 truss screws]

* These mounting screws are attached to the seat at the time of delivery.

CAUTION

When fastening the heater switch section, be careful not to pinch the cord inside.

(3)

Cord-tying location

* Make sure the connector is placed near the cord-tying location so that it does not interfere with the heater switch.

Heater switch

M6x20

(4) Secure the two cords (shown in the illustration on the right) together with a cable tie.

(4)

Cable tie

Clamp

* Secure the two cords together with a cable tie (at the location just before the clamp).

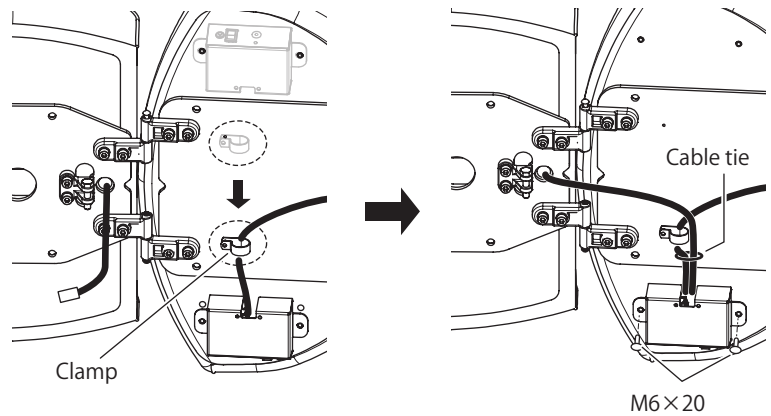
9 Attaching the backrest and seat

ESPOIR II Premium with heater

<To reattach the heater switch to the right-hand side>

The heater switch for this product is mounted on the left side when viewed from the basin side. If the salon layout requires the heater switch to be on the right side, follow the procedure below to reattach the heater switch to the right-hand side.

- (1) Remove the clamp and reattach it to the location as shown in the illustration on the right.
- (2) Follow steps (1) to (4) in '3 Connect the heater cord.' [page 29]

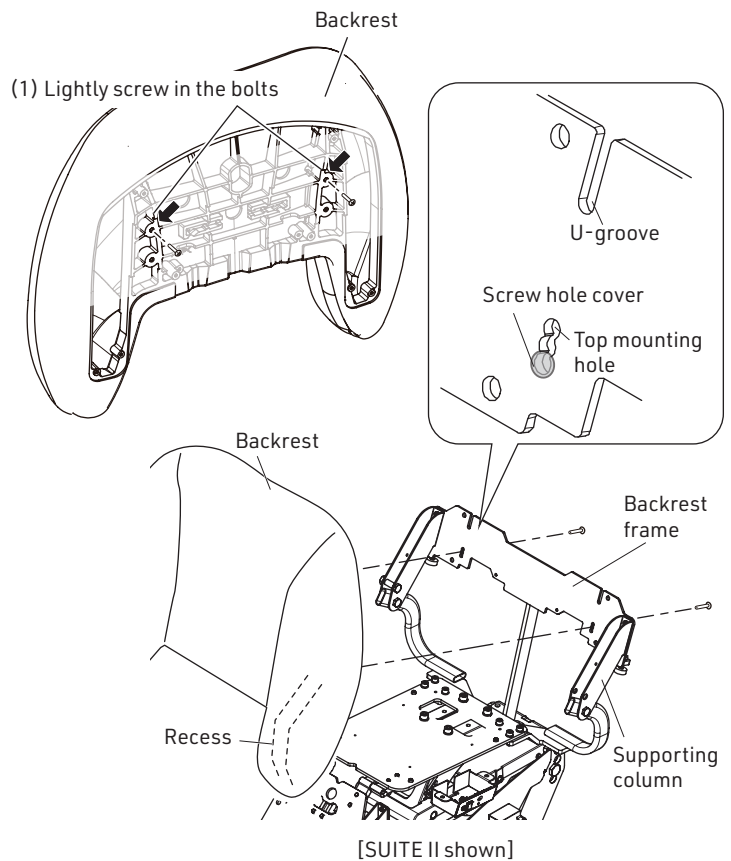


SUITE II

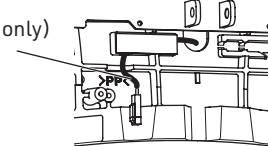
NOBLE II

1 Attach the backrest.

- (1) There are four screw holes on the backrest. In the two upper holes, lightly screw in two bolts.
[Two M6 x 15 hexagonal bolts]
- (2) Insert these lightly screwed bolts into the U-grooves in the backrest frame. Align the backrest with the backrest frame so that the supporting columns fit into the recesses in the backrest.
- (3) Screw in bolts in the left and right top mounting holes.
[Two M6 x 15 hexagonal bolts]
- (4) Fully tighten the bolts in the U-grooves.
- (5) Turn on the power switch.
- (6) Press and hold the UP switch on the foot switch (step on it for one second or more, and a beep will sound) to lift the seat to the highest position.
- (7) Check the distance between the top of the backrest and the basin.
For details, see 'How to adjust the distance between the top of the backrest and the basin (SUITE II, NOBLE II)' [page 31].
- (8) Turn off the power switch.



Backrest heater cord
(SUITE II, NOBLE II with heaters only)



CAUTION

The backrest heater cord runs to the left side from the back of the backrest. When attaching the backrest, be careful not to pinch the cord.
(SUITE II, NOBLE II with heaters only)

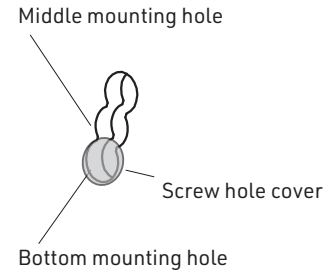
9 Attaching the backrest and seat

SUITE II

NOBLE II

How to adjust the distance between the top of the backrest and the basin (SUITE II, NOBLE II)

- With the backrest reclined, perform the following checks:
 - (1) Check that the top of the backrest does not interfere with the basin.
 - (2) Check that there is not too much space between the top of the backrest and the basin.
Also check that this space does not vary significantly from unit to unit.
(As a guideline, an appropriate distance between the top of the backrest and the basin is between about 10 mm and 20 mm.)
If the distance between the top of the backrest and the basin needs to be adjusted, do so as follows:



- To increase the distance: Use the middle mounting holes.
- To greatly increase the distance: Use the bottom mounting holes.

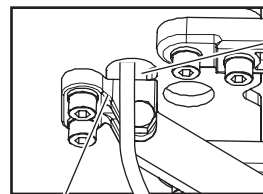
2 Attach the seat.

Bolt the seat to the chair body.
[Eight M8 x 30 hexagonal bolts]



When fastening the seat, be careful not to pinch the apron or the heater cord.

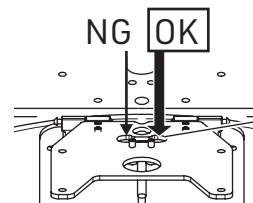
* The leg rest heater cord comes out from the back of the seat. Before fastening the seat, pass the heater cord through the hole in the metal leg rest plate as shown in the illustration below.
(SUITE II, NOBLE II with heaters only)



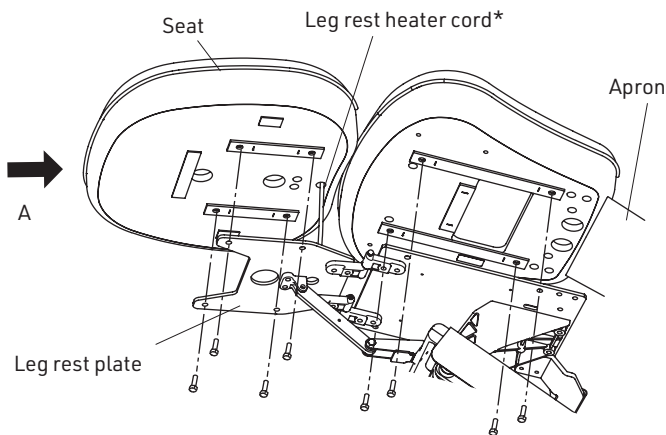
Metal link fittings

Leg rest heater cord

[View from direction 'A' in the illustration on the left]



Hole to pass the leg rest heater cord through



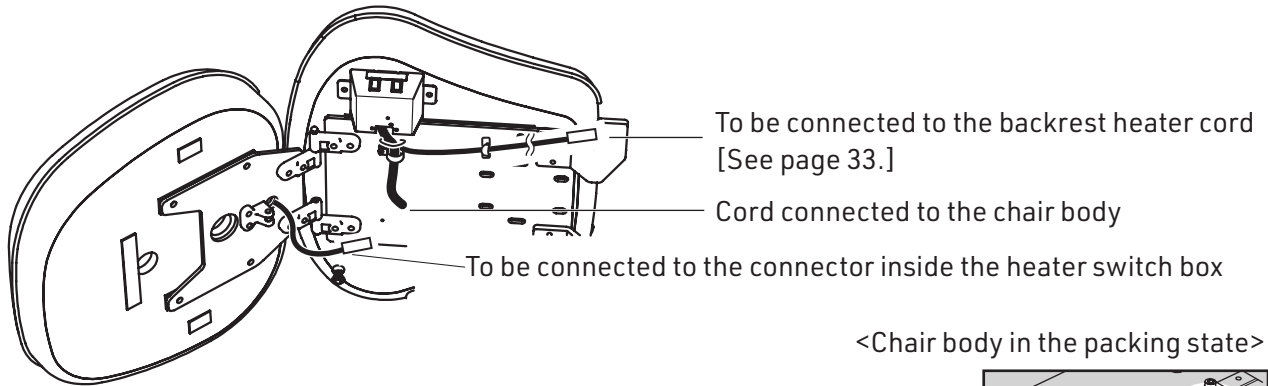
9 Attaching the backrest and seat

SUITE II with heaters

NOBLE II with heaters

3 Connect the heater cords.

(For SUITE II and NOBLE II without heater, go to page 34.)



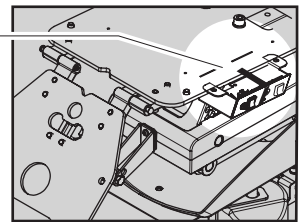
(1) Connect the leg rest heater cord coming out from the back of the seat to the connector inside the heater switch box.

* As shown in the illustration on the right, pass the leg rest heater cord through the unused loop of the cable tie inside the heater switch box.

<Chair body in the packing state>

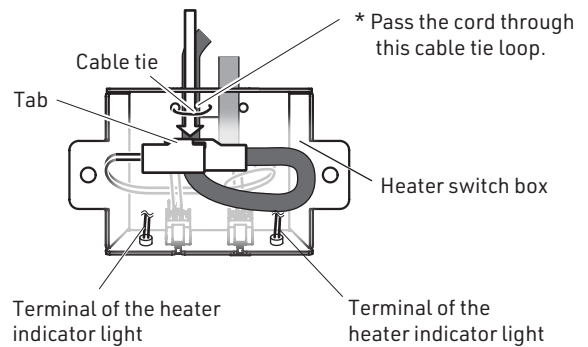
Heater switch section

* In the packing state, the heater switch section is fastened to the chair body with a cable tie. Cut the tie with pliers to remove it.



CAUTION

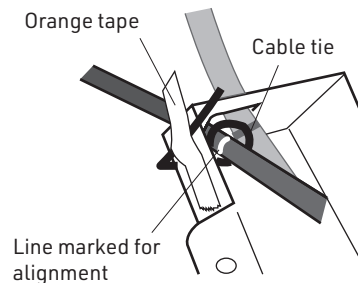
- After connecting the cord to the connector, make sure the tab on the connector is engaged and cannot be disengaged when pulled.
- Be careful not to deform the terminal of the heater indicator light.



(2) Tighten the cable tie to secure the leg rest heater cord.

* The heater cord is marked with a line for alignment. With the cable tie aligned with the line, tighten the tie to secure the cord.

<Heater switch section>



CAUTION

After securing the leg rest heater cord with the cable tie, pull the cord to make sure it will not come loose.

* Align the cable tie with the line marked on the leg rest heater cord for alignment, and secure the cord with the tie.

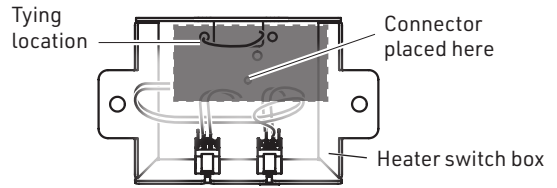
9 Attaching the backrest and seat

- (3) Store the connector and cord neatly inside the heater switch box. Fasten the heater switch section to the back of the seat.

[Two M6 x 20 truss screws]

- * These mounting screws are attached to the seat at the time of delivery.

- * Make sure the connector is placed near the cord-tying location so that it does not interfere with the heater switch.



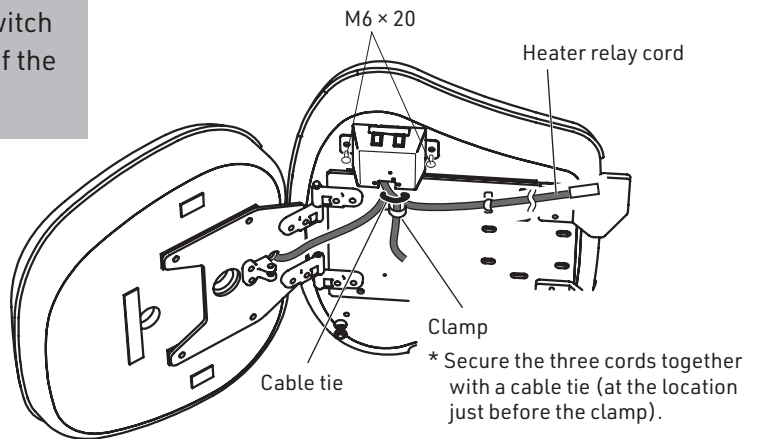
[How to store the cord]

CAUTION

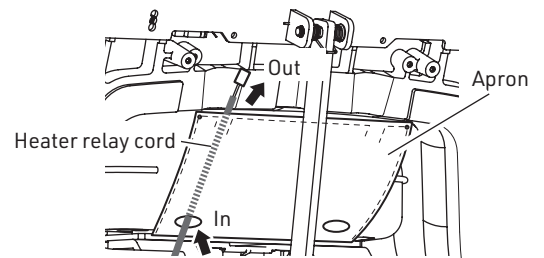
When fastening the heater switch section, be careful not to pinch the cord inside.

SUITE and NOBLE do not allow the heater switch box to be reattached to the right-hand side of the seat when viewed from the basin.

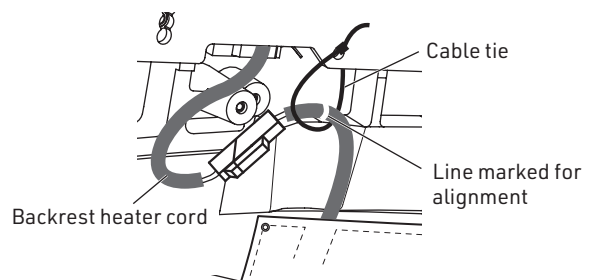
- (4) Secure the three cords (shown in the illustration on the right) together with a cable tie.



- (5) Insert the heater relay cord, which is fastened to the seat plate, into the apron through the hole at the rear of the seat, and bring it out from the top.



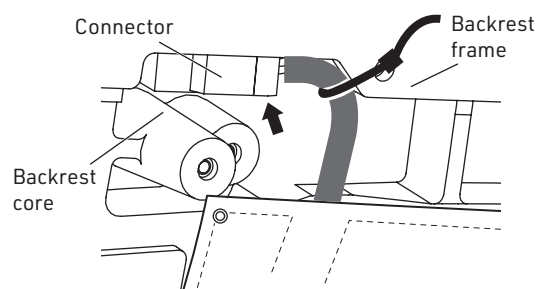
- (6) Connect the heater relay cord coming out from the top of the apron to the backrest heater cord.
* As shown in the illustration on the right, pass the heater relay cord through the loop of the cable tie on the backrest frame.



CAUTION

After connecting the cord to the connector, make sure the tab on the connector is engaged and cannot be disengaged when pulled.

- (7) The relay cord is marked with a line for alignment. With the cable tie aligned with the line, tighten the tie to secure the cord.
(8) As shown in the illustration on the right, insert the connector into the gap between the backrest frame and the backrest core.



9 Attaching the backrest and seat

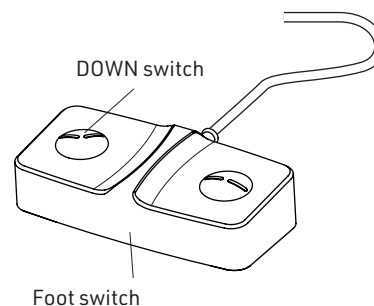
ESPOIR II

SUITE II

NOBLE II

4 Lower the seat to the lowest position.

Press and hold the DOWN switch on the foot switch (step on it for one second or more, and a beep will sound) to lower the seat to the lowest position.



5 Attach the apron.

Screw the apron, which extends from the seat, to the backrest.

[Two M4 x 12 truss screws]

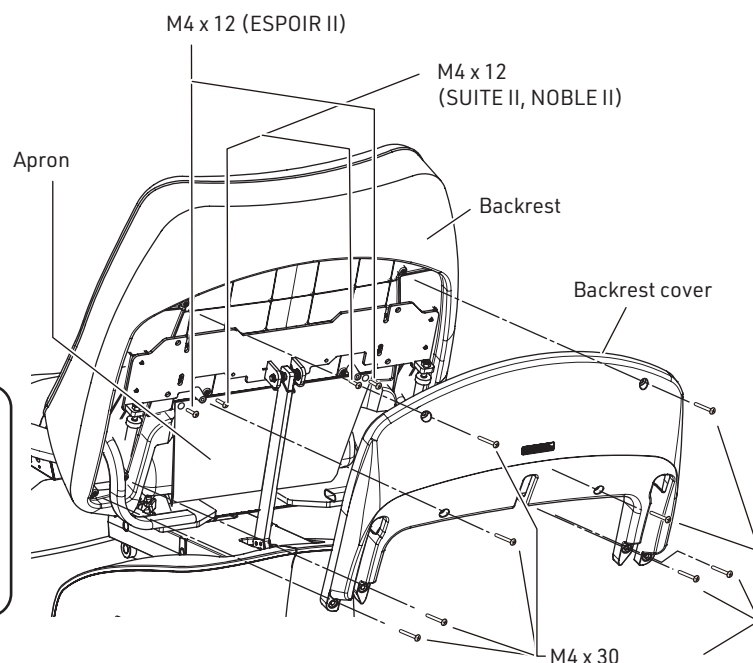
6 Attach the backrest cover.

Fit and fasten the backrest cover to the backrest. [Eight M4 x 30 truss screws]



CAUTION

When attaching the upholstery or covers, be careful not to let them hit other parts. Scratches or mechanical failure may result.



[ESPOIR II shown]

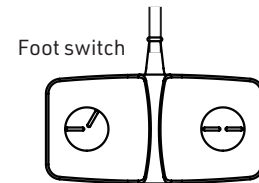
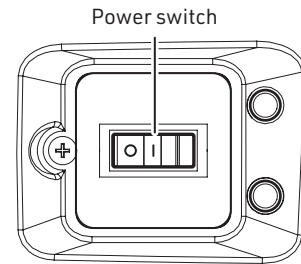
* Before attaching the cover, check that there are no scratches or stains on it. If this pre-inspection reveals any problems, contact your local authorised Takara Belmont dealer.

10 Operation check 2 (after attaching the backrest and the seat)

CAUTION

Make sure there are no people or obstacles near the chair body.

- (1) Make sure the power switch is on (the side marked 'I' is depressed).
- (2) Step on the foot switch, and check the operation of the chair body.
For operation instructions, see 'Operation check 1' [page 26].
- (3) When the operation check is complete, check the installation as listed below.



<Check items>

- With the backrest reclined,
 - (1) Check that the top of the backrest does not interfere with the basin.
 - (2) Check that there is not too much space between the top of the backrest and the basin.
Also check that this space does not vary significantly from unit to unit.
-> If the distance between the top of the backrest and the basin needs to be adjusted, follow the procedure in 'How to adjust the distance between the top of the backrest and the basin' [page 27 or 31 depending on the model].
- Check that when the chair body is in operation, the covers do not resonate or vibrate with each other.
-> If you notice any abnormalities, check that the screws are properly tightened, and, if necessary, undo and tighten them.
- With the backrest in the most upright position, push it backwards with your hand and check that it does not move.
-> If the backrest moves backwards, there may be a problem with the mechanical parts. Contact your local authorised Takara Belmont dealer.

After Installation

- Remove the air mat from the basin, and the protective film from the main body cover.

CAUTION

To prevent accidents during use, be sure to perform the inspections listed below.

■ Inspection items (basin body)

- (1) Check that all the necessary screws are used.
- (2) Check that there is no backlash.
If there is any backlash, check the bolts at the mounting points again.
- (3) Check that the basin is not cracked or dirty.
- (4) Check that there are no scratches or other abnormalities on the exterior.
- (5) Check that there is no water leakage on the floor.

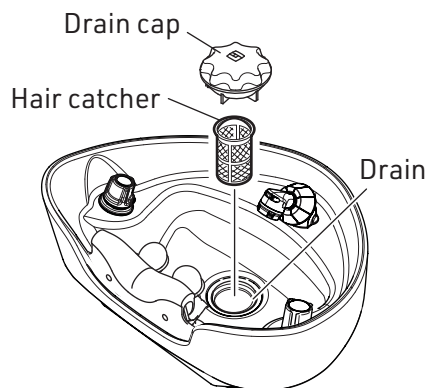
■ Inspection items (chair body)

- (1) Check that all the necessary screws are used.
- (2) Check that the chair body operates properly.
- (3) Check that when reclined, the backrest does not interfere with the basin.
- (4) Check that the backrest and the seat do not interfere with each other and that they are not bent.
- (5) Check that there are no scratches or other abnormalities on the exterior.
- (6) Check that the built-in outlet works properly.
- (7) [If the model has heater(s)]
Check that the heater(s) works properly.
Check that the heater(s) indicator light turns on.

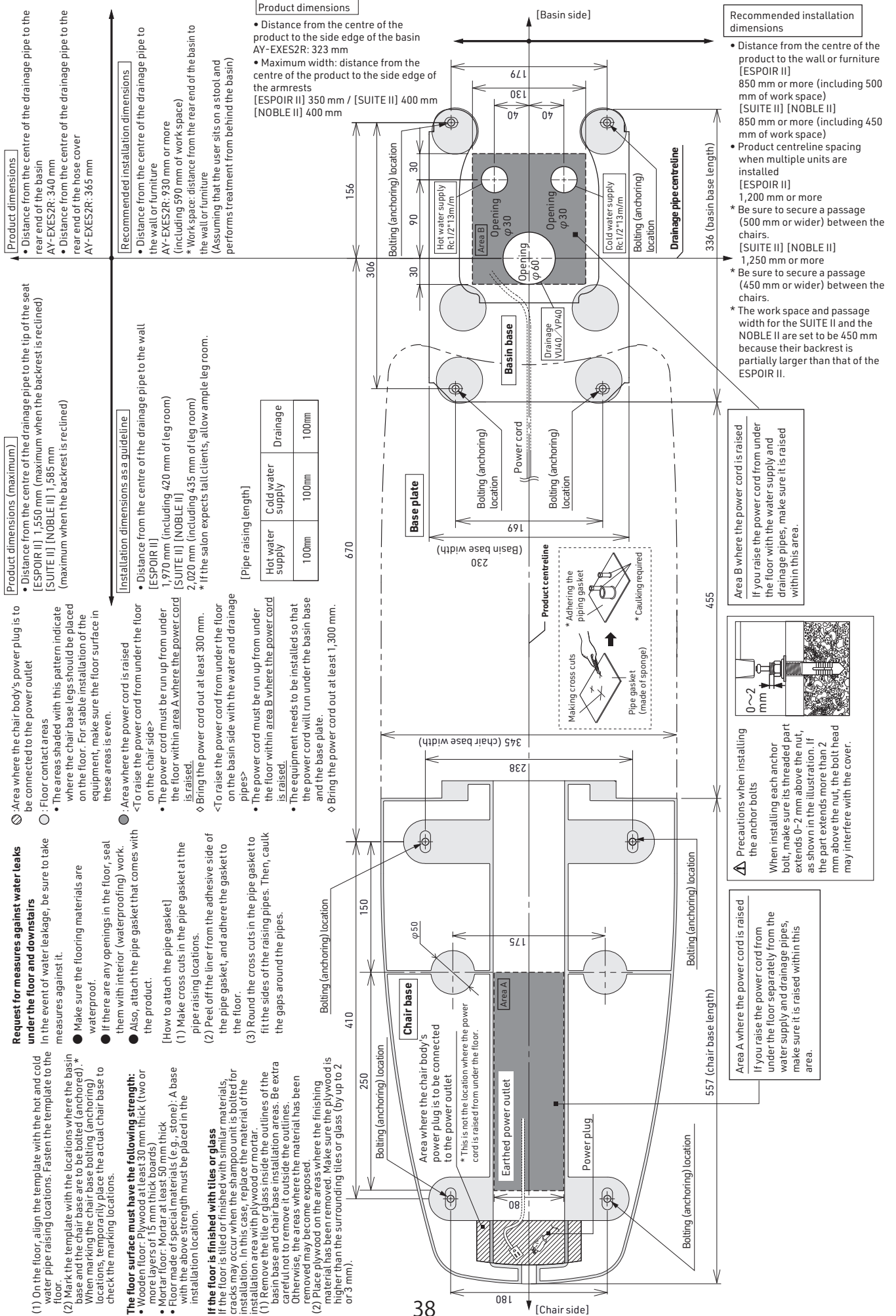
Attaching the Hair Catcher and the Drain Cap

■ Attaching the hair catcher and the drain cap

As shown in the illustration, fit the hair catcher into the drain, and place the drain cap on top.



Product Fastening Location Diagram



MEMO



TAKARA BELMONT CORPORATION
1-1, 2-Chome, Higashi-shinsaibashi, Chuo-ku, Osaka, Japan
TEL : +81-6-6213-5945 FAX : +81-6-6212-3680

Printed in Japan