

Takara Belmont Shampoo Accessory

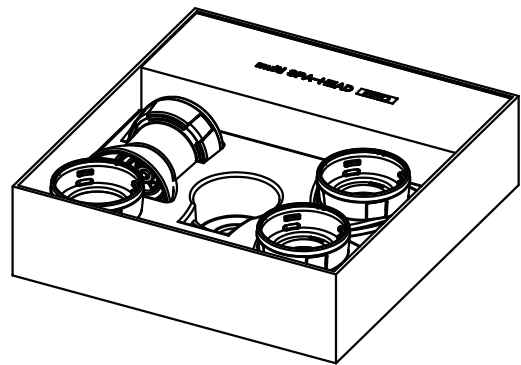
multi SPA-HEAD PRO

Model number: **AY-MSP-***

Operating Instructions



- AY-MSP-FS
- AY-MSP-FSNS



- AY-MSP-F

Thank you for purchasing this Takara Belmont product.

Please read the Operating Instructions carefully before use and use the product correctly.

Failing to read the Operating Instructions before use may lead to accidents.

- Keep this booklet safe near the product so that it can be referred to promptly, and be sure to read this booklet again when necessary.
- This product is an industrial appliance designed for use by hair and beauty salons. Only use this product for its intended purpose.
- The product must only be used by professionals such as hair stylists and aestheticians.

If the Operating Instructions become illegible due to stains and tears, or if this booklet is misplaced, please request a copy from Takara Belmont using the inquiry number shown in the box below.

Table of Contents

Introduction

Description of Warning Symbols	3
Safety Precautions	4
Precautions for Use	5
Names of Parts	6
Accessories	6

Preparation

Device Setup	7
--------------------	---

How to Use

Using the Shower Head	10
Treatment Method	11
After Treatment	16

Maintenance

Maintenance Method	16
--------------------------	----

Information for Use when Needed

Daily Inspection	20
Consumable Items	21
Standard Period of Use	23
Disposal of the Product	23
Specifications	24
Product Dimension Diagram	25

Description of Warning Symbols

■ Before using the product ...

Please be sure to read the Safety Precautions and Precautions for Use carefully and use the product correctly.



■ Precautions shown on this page

These are intended for the safe use of the product and to prevent harm and damage to users and other people.




All of the precautions shown are important details related to safety. Please be sure to follow these precautions.

If an accident occurs due to a failure to follow the Safety Precautions and Precautions for Use, Takara Belmont is not responsible for any damage or risk to the person using this product or those around them due to accidents. In this case, the person failing to adhere to the Safety Precautions and Precautions for Use will be responsible for any damage or risk incurred.

Detailed descriptions of symbols are provided below. Read and understand these symbols thoroughly before reading this manual.

Symbols	Magnitude of harm/damage and urgency
 WARNING	The items explained under this symbol are precautions that may result in deaths or serious injury from the incorrect handling of the product if the warning is not followed.
 CAUTION	The items explained under this symbol are precautions that may result in mild or moderate injury or property damage from the incorrect handling of the product if the caution is not followed.

Individual items that must be complied with are explained under the following symbols:

Symbols for prohibited items	Symbols for mandatory items
 Display for general prohibitions  Display for prohibition of disassembly, repair, and modification	 Display for general mandatory action by the user

Safety Precautions

WARNING

When using or handling the product ...



- **Be sure to perform daily inspection**

The use of the product without performing daily inspections may lead to injury and product damage.

Please refer to [page 20] for the daily inspection.

- **Adjust the temperature of the hot water by checking the temperature with hands**

When adjusting the temperature of the hot water, adjust the temperature while checking the temperature with hands so that the hot water does not come into contact with the customer.

Care must be provided because the simultaneous use of other devices that share the same source of cold or hot water may cause changes in water pressure and lead to boiling water being output.

CAUTION

When using or handling the product ...



- **Avoid drinking the hot or cold water**

This product is designed for use for spa treatment. Do not drink the water.

Diarrhea, abdominal pain, etc. may occur depending on the water quality.

- **Do not apply shock to the product**

Damage to the parts, a malfunction, or breakage may lead to injury.



- **Consideration for the physical condition of customers**

If the customer becomes or feels unwell, treatment should be discontinued. Care must be taken, particularly for customers who are susceptible to dizziness from heat, who have high blood pressure, or have concerns in physical conditions. When using this product, check carefully that there are no abnormalities in the client's skin condition. If there are any abnormalities, stop treatment immediately.

Precautions for Use

- **Do not use for any purpose other than hair and beauty salon treatment**

This product is an industrial appliance for use in hair and beauty salons. Please avoid the use of the product outside these purposes.

The product must only be used by those who have undergone appropriate training, such as hair stylists and aestheticians.

- **Avoid applying heat of 60°C or higher**

This may result in degeneration and discolouration.

- **Wipe off any chemicals that adhere to the product**

If chemicals adhere to the product, immediately wipe these off with a dry cloth because such contact may result in degeneration and discolouration.

- **Avoid the use of mint oil and aroma oils**

This may result in degeneration and damage.

- **Avoid the use of polishing agents**

Do not use polishing agents when cleaning the product.

The use of polishing agents, sponges containing polishing agents, or hard cleaning equipment, such as wire wool and nylon scrub sponges, may cause scarring.

- **After treatment, place the attachment in the holder and attach it to the ceramic basin**

Placing the product on an unstable surface may cause it to fall, resulting in damage or loss.

- **If water splashes so much that it is difficult to handle, turn the trap to the flow**

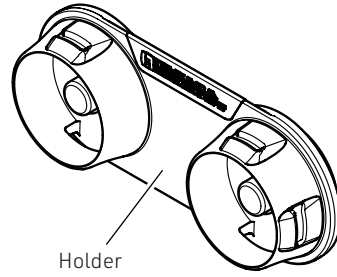
High water pressure may cause water to splash significantly, making it unsuitable for use with each attachment. In this case, turn the tap to reduce the water flow.

- **Do not use any attachment with products other than compatible ones**

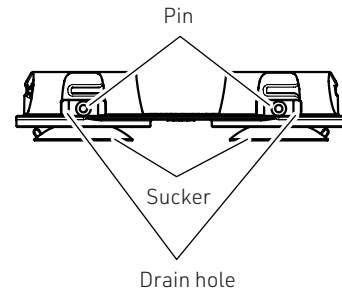
Depending on the product, there is a risk of damage due to interference between the moving parts inside the product and the attachment.

Names of Parts

Holder ...2 sets



Holder



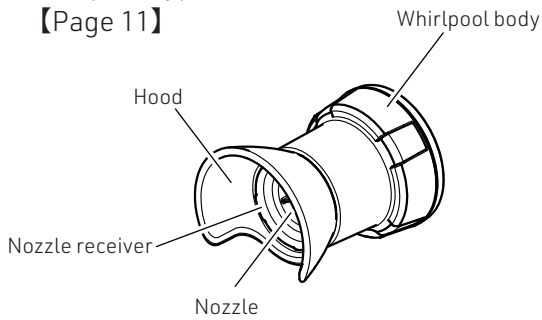
Pin

Sucker

Drain hole

Attachment

Whirlpool Type
【Page 11】



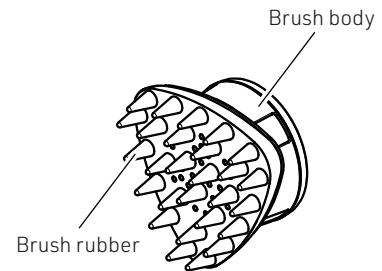
Whirlpool body

Hood

Nozzle receiver

Nozzle

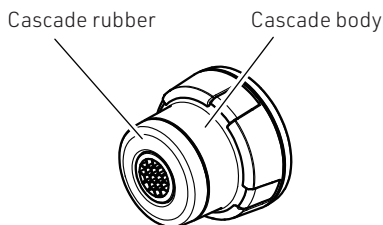
Brush Type
【Page 13】



Brush body

Brush rubber

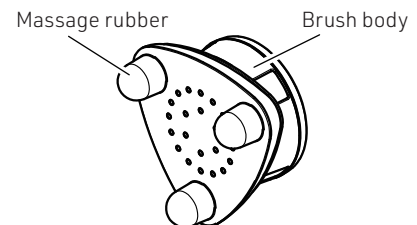
Cascade Type
【Page 14】



Cascade rubber

Cascade body

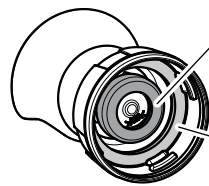
Massage Type
【Page 15】



Massage rubber

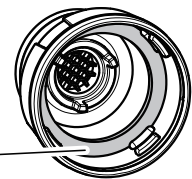
Brush body

Bottom
(Whirlpool Type)



Head Rubber Gasket
(For Whirlpool Type)

Bottom
(Others)



Rubber Gasket
(Common to the four types)

Accessories

Spare Brush Rubber ... 1



Operating Instructions
(this document) ... 1



Shower Head
(AY-MSP-FS / AY-MSP-FSNS) ... 1



Device Setup

Compatible products

[AY-MSP-F]

- YUME II
- YUME SUITE II
- YUME DX II
- YUME NOBLE II
- YUME ESPOIR II
- YUME SWING II

[AY-MSP-FS]

YUME series (for US/CANADA, select AY-MSP-FSNS)

- YUME
- YUME SUITE
- YUME NAGOMI (IXI)
- YUME DX
- YUME NOBLE
- YUME ESPOIR
- YUME SWING
- RS III (excluding US/CANADA)
- MAJOLICA PORTO (for US/CANADA, select AY-MSP-FSNS)

This product can only be used with the DUAL FUNCTION SHOWER HEAD MINI.

If the shower head needs to be replaced, replace it with the included shower head (AY-MSP-FS).

[AY-MSP-FSNS]

- THE ONE
- YUME OASIS
- W SWING YUME
- YUME series for US/CANADA
- MAJOLICA PORTO for US/CANADA

This product can only be used with the DUAL FUNCTION SHOWER HEAD MINI (Non-Saving type).

If the shower head needs to be replaced, replace it with the included shower head (AY-MSP-FSNS).



WARNING

Do not use the product with other products that are not listed as compatible. Use of the device with non-compatible products may result in injury or device damage.

Device setup

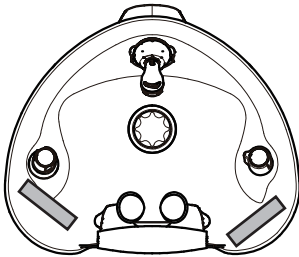
Mounting the holder

Mounting positions

The recommended position for mounting the multi SPA-HEAD PRO onto each compatible product is as follows.

Holder : 

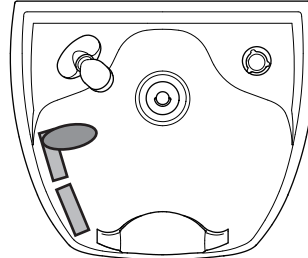
Whirlpool Type : 



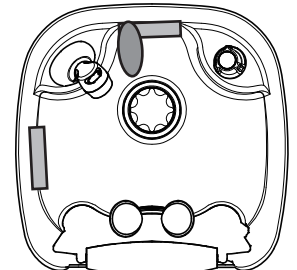
- YUME
- YUME DX
- YUME ESPOIR
- YUME SUITE
- YUME NOBLE
- YUME SWING
- YUME NAGOMI (YUME IXI)



- RS3



- MAJOLICA PORTO



- YUME OASIS
- W SWING YUME

- THE ONE

Store the attachment outside the basin.

【The YUME series includes the entire YUME II series.】

※ For models other than the YUME series, it is recommended that the Whirlpool type be mounted away from the client's head.

※ If the warning sticker inside the ceramic basin overlaps with a sucker on the holder, it will not attach properly or will detach easily. Avoid mounting the holder in such a position.

※ If the holder does not fit properly in the recommended position, the holder can be mounted onto any location, e.g. the outside of the ceramic basin; however, beware of water dripping after use.



WARNING

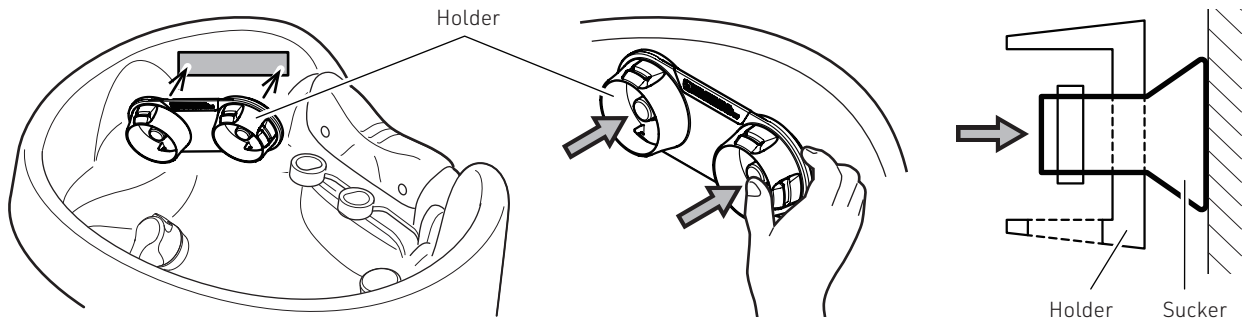
Do not mount attachment when using with THE ONE.

This may result in damage of the product during basin storage.

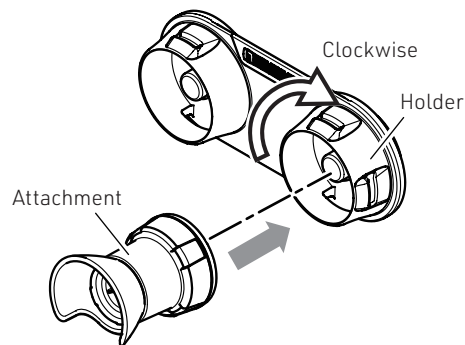
Device Setup

Mounting method

① Press the heads of the suckers onto the mounting positions to mount the holder.

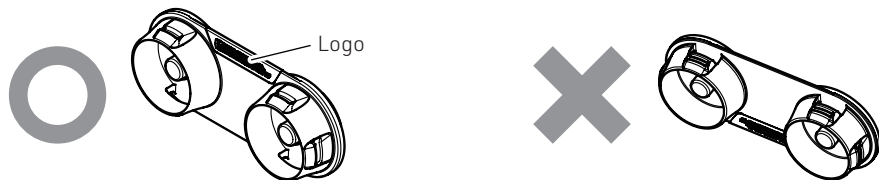


② Attach the attachment to the holder by turning it clockwise.



NOTICE

Before mounting the holder, thoroughly wipe off any moisture and dirt from the ceramic basin surface, and then mount the holder with the logo facing up. If moisture or dirt remain on the surface when the holder is mounted, the suckers may slip and the holder may not stay in place.



Removal method

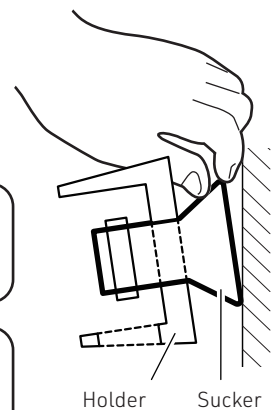
Insert your finger between the holder and the ceramic basin, pinch the edge of the sucker, and let air in to remove it.

⚠ WARNING

Do not remove the holder by pulling it. This may cause damage to the parts.

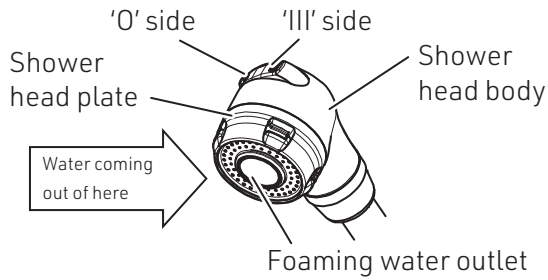
NOTICE

If your finger cannot fit between the holder and the ceramic basin, the sucker can be removed by wetting the sucker and sliding it. However, when mounting the holder again, be sure to wipe off any moisture thoroughly before mounting.



Using the Shower Head

You can switch between shower mode and low-splash mode by flipping the selection switch.



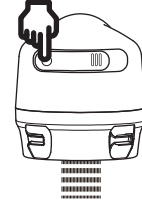
<Shower mode>

- Press the 'III' side of the selection switch.



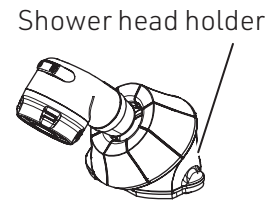
<Low splash mode>

- Press the 'O' side of the selection switch.



CAUTION

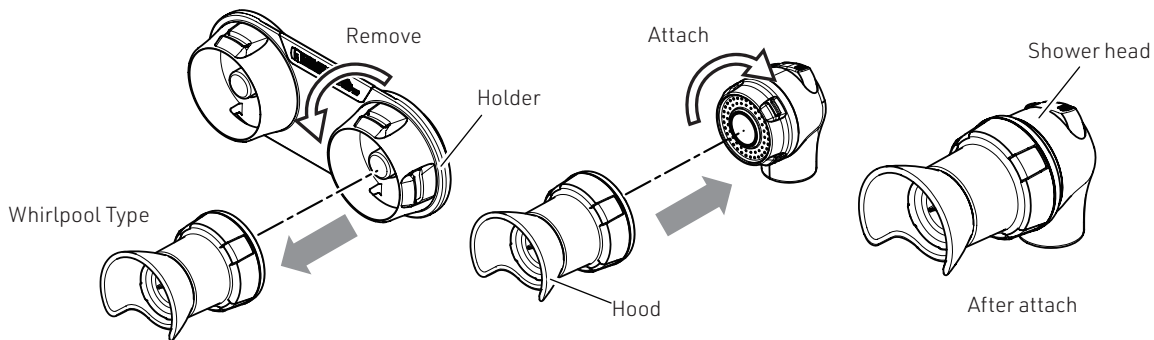
- When the shower head is in the shower head holder, do not let water gush out. The water may spill from the basin, and mechanical failures of the product or damage to the floor may result.
- After using the shower head, return it to the shower head holder. When returning it to the shower head holder, make sure the shower head plate faces the basin.
- Do not pull the shower hose with excessive force. Damage to the shower hose or a water leak may result.
- When used in high-pressure environments, the switch may not move smoothly due to water resistance. If it feels stiff, please decrease the water flow via the tap rather than pushing it with force.



Treatment Method

Whirlpool Type

① Remove the Whirlpool type from the holder and attach it to the shower head.



② Switch the shower head selection switch to low splash mode, open the tap, and turn on the water.

CAUTION

- When water is discharged at high pressure, water may splash so much that it is difficult to handle, or the force of the water discharge may be too strong for the client. If the water pressure is high, turn the tap to reduce the water flow before use.
- When using aerated water under high pressure, the showerhead may produce a sound. This is not a malfunction. If this occurs, please adjust the water flow by partially closing the tap.
- If you start the water flow in shower mode from the beginning, the water may scatter easily and splash onto the client's face or clothes.

NOTICE

The hood of the attachment (Whirlpool type) can be rotated. Use with the notch facing downwards.

③ Place the hood on the client's head, switch the shower head selection switch to shower mode, and begin the treatment. When moving the hood away from the client's head, switch the shower head selection switch to low splash mode as necessary.

CAUTION

When used in high-pressure environments, the switch may not move smoothly due to water resistance. If it feels stiff, please decrease the water flow via the tap rather than pushing it with force.

④ Rinse hair with plain water to remove dirt from the hair with the force of water, and thoroughly rinse out the colouring agent with running water.

CAUTION

Do not use peppermint oil or aromatic oils. This may cause parts to deteriorate or break.

Treatment Method

Whirlpool Type

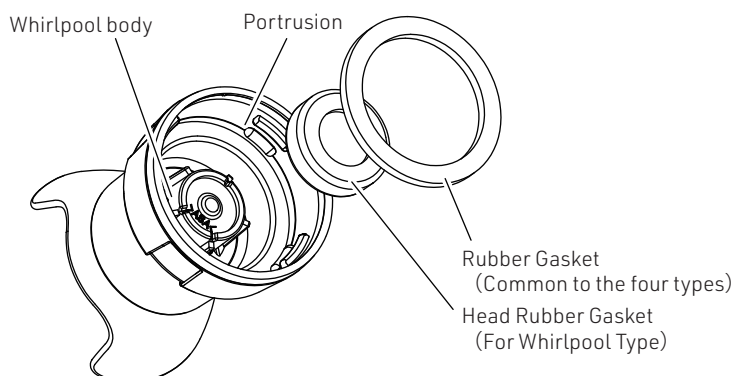
NOTICE

- When the attachment (Whirlpool type) is attached to the shower head, the amount of hot water used is reduced. Therefore, when using an instantaneous water heater, especially during summer when the water supply temperature is high, the water heater may not ignite. In this case, lower the temperature setting on the water heater. Note that if you turn thermostatic control knob to the hot water side when the water heater is not ignited, hot water may come out after you remove the attachment (Whirlpool type).
- The attachment (Whirlpool type) makes a rattling sound when shaken; however, this is not abnormal.
- When water is discharged at high pressure, internal pressure increases and water may leak from the attachment mounting surface to a degree that it does not affect the water discharge; however, this is not abnormal. Turn the tap to reduce the water flow before use. Additionally, if the tip of the shower head is damaged or dented, water may leak from the attachment mounting surface more easily.

⑤ Once the treatment is complete, attach the Whirlpool type to the holder.

CAUTION

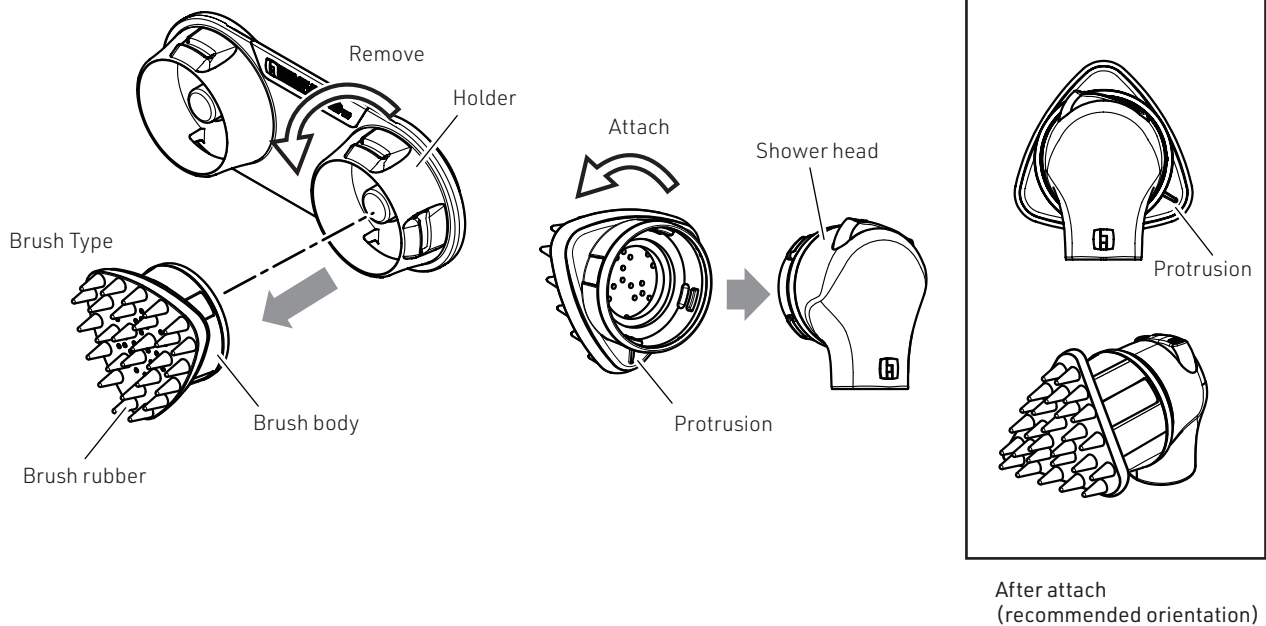
When removing the spray plate, the head rubber gasket may come off due to friction. Please ensure the gasket is in place before reattaching it.



Treatment Method

Brush Type

① Remove the Brush type from the holder and attach it to the shower head.



NOTICE

- By aligning the protrusion on the Brush body with the bottom of the shower head, the brush can be adjusted in the recommended orientation.
- The Brush rubber is a consumable item. If the coating on the brush wears off and the brush starts to pull the client's hair, replace the Brush rubber with a spare. [Refer to page 21.]

【Key point】

The Brush rubber can be reattached to the Brush body in a different orientation, so, depending on the conditions of use, the life of the Brush rubber can be extended by reattaching it in different orientations.

② Open the tap to discharge water.

NOTICE

When water is discharged at high pressure, the Brush rubber may be pushed out by the water pressure and become detached. If the water pressure is high, turn the tap to reduce the water flow before use.

③ While rinsing out shampoo, spa oil, and other chemical agents, use the brush to comb the hair and massage the scalp.

⚠ CAUTION

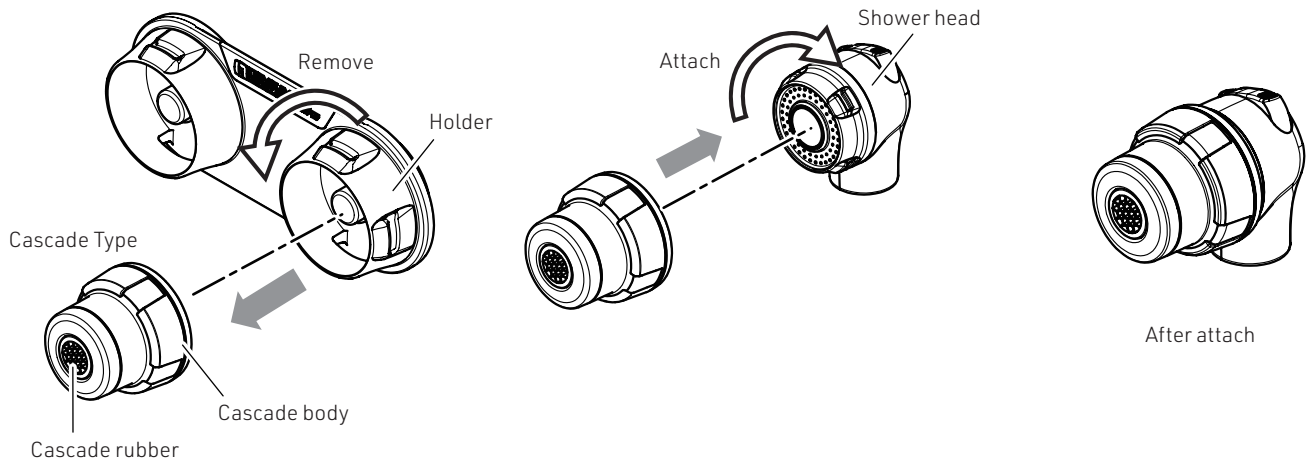
Do not use peppermint oil or aromatic oils. This may cause parts to deteriorate or break.

④ Once the treatment is complete, attach the Brush type to the holder.

Treatment Method

Cascade Type

- ① Remove the Cascade type from the holder and attach it to the shower head.



- ② Switch the shower head selection switch to low splash mode, open the tap, and turn on the water.
- ③ Perform the treatment while letting the water flow. The straight water flow is easy to control and can be sprayed from a suitable distance.

CAUTION

Do not use peppermint oil or aromatic oils. This may cause parts to deteriorate or break.

NOTICE

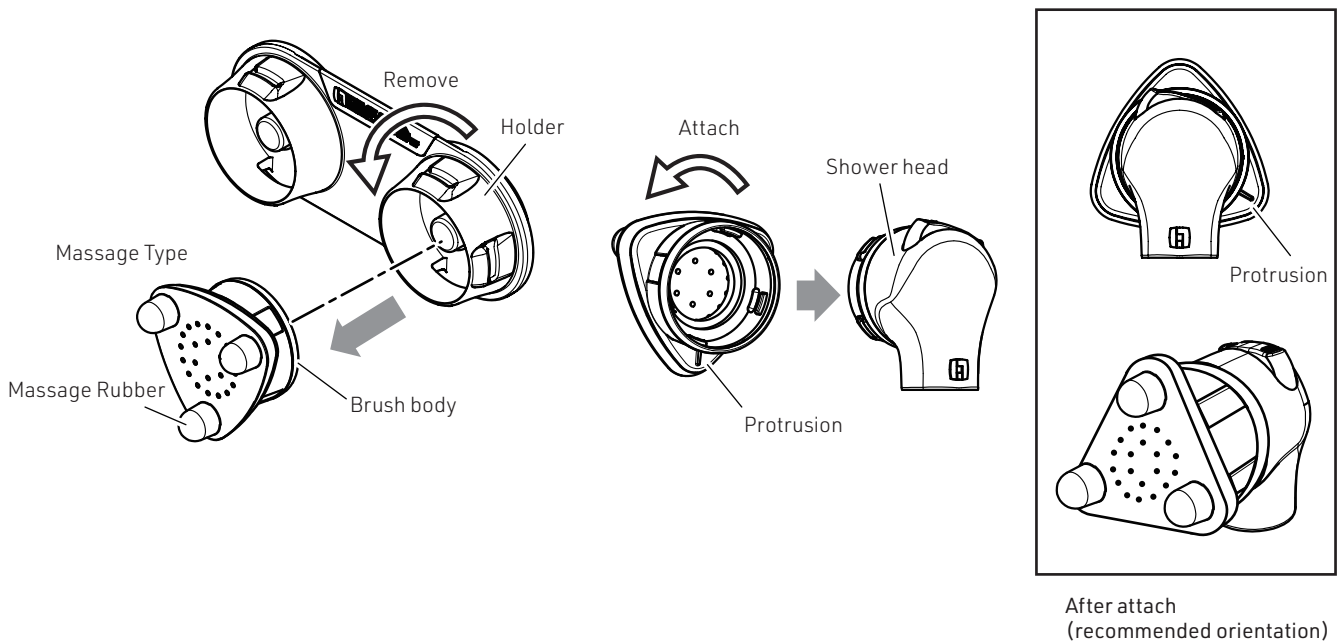
- When using the attachment (Cascade type), use the low splash mode for stable water discharge with minimal splashing. If you feel that the water amount is insufficient when washing the client's neck, you can switch to shower mode.
- If the water pressure is high, causing splashing or loud noise, turn the tap to reduce the water flow.

- ④ Once the treatment is complete, attach the Cascade type to the holder.

Treatment Method

Massage Type

- ① Remove the Massage type from the holder and attach it to the shower head.



NOTICE

By aligning the protrusion on the Brush body with the bottom of the shower head, the Massage rubber can be adjusted in the recommended orientation.

- ② Open the tap to discharge water.

NOTICE

When water is discharged at high pressure, the Massage rubber may be pushed out by water pressure and become detached. If the water pressure is high, turn the tap to reduce the water flow before use.

- ③ While rinsing out shampoo, spa oil, and other chemical agents, perform treatments, including scalp massage. Press down on the scalp with the three protrusions and rotate while applying pressure. If you press down with just one protrusion, the Massage rubber may come off the Brush body depending on how you apply the force.

CAUTION

Do not use peppermint oil or aromatic oils. This may cause parts to deteriorate or break.

- ④ Once the treatment is complete, attach the Massage type to the holder.

After Treatment

Wipe off any moisture or chemicals adhering to the ceramic surface or products.

CAUTION

- If water remains on the ceramic surface, the suckers of the holder may slip easily on the ceramic surface.
- If colouring agents adhere to plastic parts, they may become discoloured. If such substances adhere, wipe them off immediately.
- Although the holder has drain holes, a small amount of water may remain inside the holder, so wipe off any moisture with the attachment removed.

Maintenance Method

Maintenance should be performed after using the product to keep it clean at all times.

Maintenance of Individual Parts

Wipe gently with a dry, soft cloth.

Resin parts:

For severe staining

Wipe with a soft cloth wet with neutral detergent diluted about tenfold with water, followed by wiping with a cloth wet with water, then carefully wipe with a dry cloth.

Maintenance cautions

- **The following materials must not be used:**
Volatile chemicals, such as thinner, remover, gasoline, and kerosene, acid, alkaline or chlorine-based detergents, antiseptic solution strongly corrosive to metals (Povidone Iodine, etc.), waxes containing abrading agent, sponges containing abrading agent and scrubbing brushes, or other cleaning tools.
- **Do not use brushes and scrubbing brushes for maintenance of the product because this may cause scarring and make the stains more difficult to remove.**

Cleaning must be performed if the product is being reused after a period of non-use. Also, be sure to check that the product operates correctly after cleaning.

Use of Disinfectants

Refer to the table below to consider the impact on the product and use an appropriate disinfectant.
※Do not use on areas that are already deteriorated or abnormal.

	Plastic	Ceramics	Metal
Sodium hypochlorite solution (0.05%)	○	○	×
Alcoholic disinfectant (70 to 95%)	×	×	○

Maintenance Method

Disinfection Method

Do not spray disinfectant directly onto the product. Spraying disinfectant directly onto the product may cause it to penetrate the product and cause malfunction.

First, wash off any dirt with running water, then disinfect with a disinfectant suitable for the material. After that, wipe with a towel dampened with water, then rinse thoroughly with running water to remove any remaining disinfectant, and wipe again.

※ Disinfectant can have adverse effects if it remains for long periods of time. Therefore, it is important to rinse and wipe off any disinfectant to prevent it from remaining on the product in order to minimise its impact on the device.



CAUTION

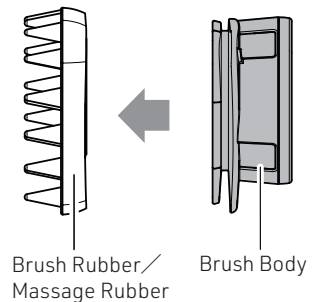
Disinfectant may cause inflammation when it comes into contact with the skin. Rinse thoroughly with running water to remove any remaining disinfectant from the device, then wipe dry.

Cleaning and Disinfection of Brush Rubber/Massage Rubber

① Clean with a diluted neutral detergent solution.

② Remove the Brush rubber/Massage rubber and disinfect using one of the following methods.

- Soak in sodium hypochlorite solution (0.05 to 0.1%) for 10 minutes.
 - Carefully wipe with a cotton cloth moistened with ethanol (concentration: 60 to 81.4%).
- ※ Do not soak in ethanol.
※ This product has a coating that makes the rubber surface slippery, so refer to this page for disinfection instructions.



CAUTION

Disinfectant may cause inflammation when it comes into contact with the skin. Rinse thoroughly with running water to remove any remaining disinfectant from the device, then wipe dry.

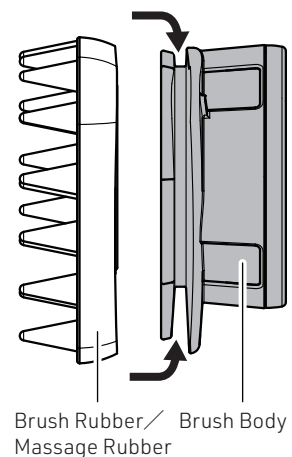
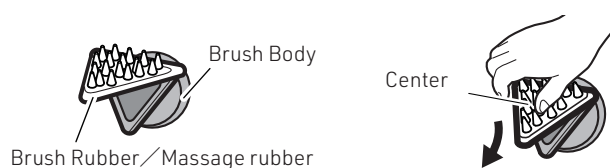
NOTICE

The shower head plate may become loose when the attachment is removed. If it is loose, tighten it until the protrusions of the shower head plate and shower head main unit are aligned. [Refer to page 19.] If the shower head plate loosens, it may cause improper switching of the water discharge mode or generate abnormal noise.

③ Insert the Brush rubber/Massage rubber into the protruding area on the Brush body all the way around.

【Key point】

Starting from one corner, fit the sides into place, and once two corners are in place, fit the centre area into place before fitting the last corner.



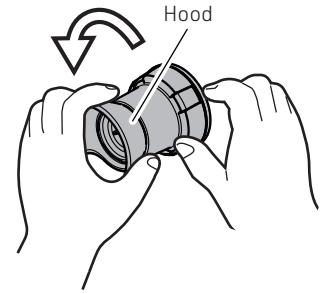
※ The Brush rubber and Massage rubber are consumable items (charges apply). If you need replacement parts, contact your local authorised Takara Belmont dealer.

Maintenance Method

Disassembly and Cleaning of Whirlpool type

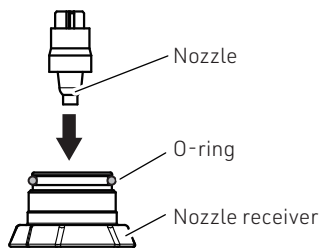
Grab the nozzle receiver and hood, turn counterclockwise, and remove.

Clean the nozzle (rinse with water). Remove limescale and other contaminants from inside the nozzle using a toothbrush or similar tool.

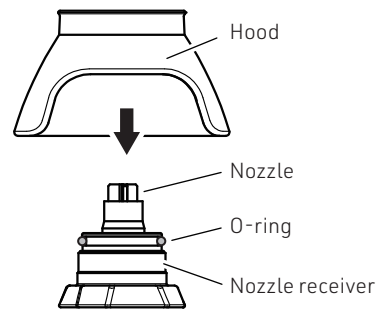


Assembly procedure

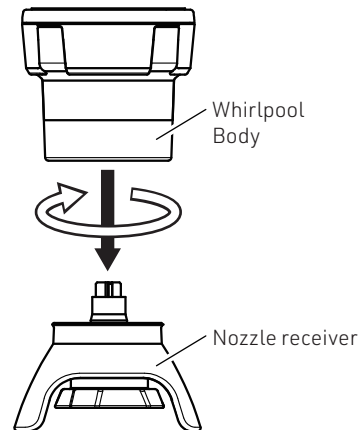
① Set the nozzle into the nozzle receiver.



② Place the hood over the nozzle set in the nozzle receiver.

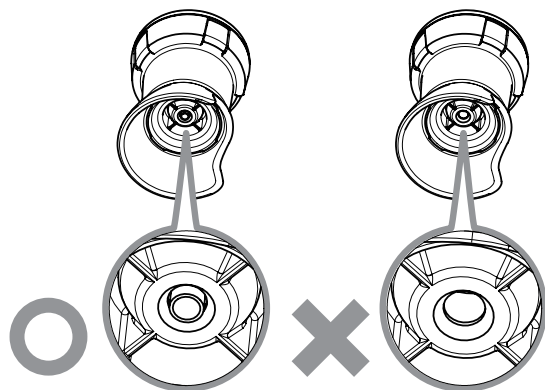


③ Tighten the Whirlpool body clockwise onto the nozzle with the hood set in the nozzle receiver. (Be sure to tighten it until it stops.)



⚠ CAUTION

If you tighten the Whirlpool body while the tip of the nozzle is not completely inserted into the hole in the nozzle receiver, the nozzle may become sandwiched between the Whirlpool body and the nozzle receiver, which could result in damage to the parts. Therefore, be sure to tighten the Whirlpool body with the tip of the nozzle completely inserted into the nozzle receiver.



The tip of the nozzle protrudes from the nozzle receiver.

The tip of the nozzle does not protrude from the nozzle receiver.

Maintenance Method

Shower head

- 1 Turn the shower head plate counterclockwise to remove it. From the shower head plate, take out the foaming water outlet and the rubber gasket.**

Do not remove the O-ring.

- 2 Clean the shower head plate (wash with water).**

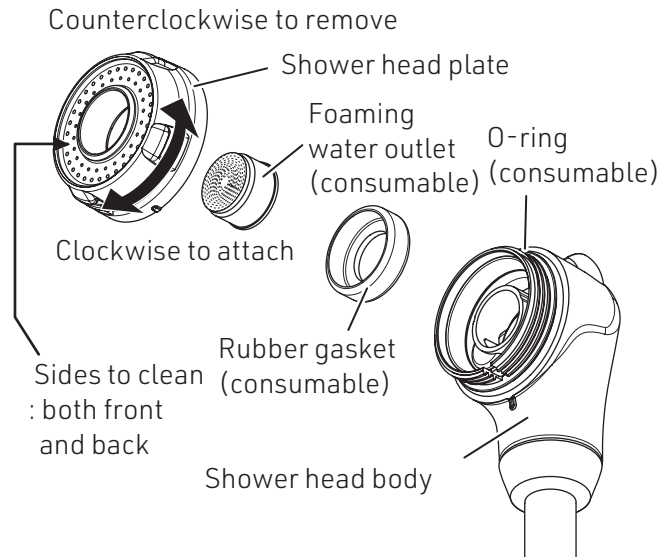
- Clean the shower head plate once a week.
- Use a toothbrush or similar tool to remove any limescale or other dirt that has accumulated around the shower holes in the shower head plate.

- 3 Clean the foaming water outlet (wash with water).**

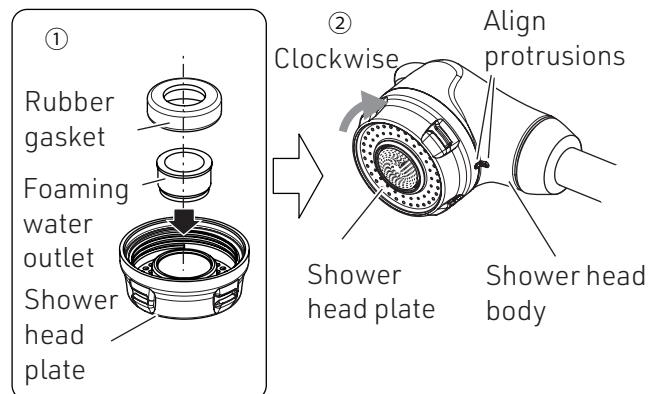
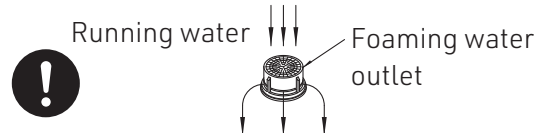
- Clean the foaming water outlet about once a month (as a guideline).
- Use a toothbrush or similar tool to remove any limescale or other dirt that has accumulated on the foaming water outlet.

- 4 Put the parts back together.**

- (1) Into the shower head plate, place the foaming water outlet and the rubber gasket in that order.
- (2) With the spray side of the shower head plate facing downwards, attach the shower head plate to the shower head body. Turn the shower head plate clockwise until the protrusion on it is aligned with that on the shower head body.



Run water through the foaming water outlet in the direction shown in the illustration.



⚠ CAUTION

- Be sure to attach the rubber gasket. If the rubber gaskets are not attached, there is a risk of spouting from both the foam and shower spouts even if the water spout is switched.
- Turn the shower head plate securely until it is aligned with the protrusion. If not, there is a risk that water will come out from both the low-splash mode and shower mode even if you switch the shower head mode.

Daily Inspection

The following inspection should be performed for safe use of the product.



WARNING

Daily inspections must be performed according to the details shown below. Use without performing daily inspections may lead to injury and damage to the product, accessories, and facilities.

Daily inspection items

Inspection item	Inspection method	Inspection result, action to take in case of failure
State of water output	Check that there are no water leaks from the joint between the shower head and the attachment.	If water is leaking from the joint between the shower head and the attachment, it may be due to high water pressure or wear on the gasket. If the water pressure is high, turn the tap to reduce the water flow before use. If you need to replace the gasket, contact your local authorised Takara Belmont dealer.
	Check that there are no water leaks from the hood mounting surface of the Whirlpool type.	If water is leaking from the hood mounting surface of the Whirlpool type, it may be due to wear on the O-ring that fits into the nozzle receiver. If you need to replace it, contact your local authorised Takara Belmont dealer.
	Check that the nozzle of the Whirlpool type is rotating.	If the nozzle of the Whirlpool type is not rotating, check that the tip of the nozzle is firmly inserted into the hole in the nozzle receiver. If it is firmly inserted and still does not rotate, try cleaning the nozzle and the Whirlpool body. If the problem persists, the nozzle receiver and/or the nozzle will need to be replaced. Contact your local authorised Takara Belmont dealer.
	Check that hot and cold water comes out of the shower head properly and the shower head plate is not loose.	Turn the shower head plate fully until the protruding positions are aligned. [Refer to page 19.]

Weekly inspection items

Inspection item	Inspection method	Inspection result, action to take in case of failure
Checking for dirt	Check that there is no limescale or other dirt adhering to the Brush rubber, Massage rubber, or discharge outlet of the Cascade type.	Clean by removing limescale and other dirt using a toothbrush or similar tool. If left unattended, it may become clogged and prevent normal water discharge.

Consumable Items

"Consumable items" refer to parts that are expected to undergo wear, deterioration, and changes/damage in appearance with use. Please be advised that the repair and replacement of consumable goods are not covered under the guarantee and will incur a charge.

(*Degree and timing of wear, deterioration, and damage varies depending on the environment (water quality, etc.) and conditions the product is used.)

In the case of significant wear and deterioration or damage, inspection or replacement of the parts will be necessary. Please contact your local Takara Belmont dealer immediately.

Consumable items (the following items are not covered under the guarantee and incur a charge)

Brush rubber Massage rubber Hood Sucker

Cascade rubber Nozzle receiver Rubber gasket/O

Shower head foaming water outlet (Foaming water outlet inner core, rubber gasket)

Note that scratches, stains, deterioration, and discolouration on any attachment body part are not covered by the warranty.

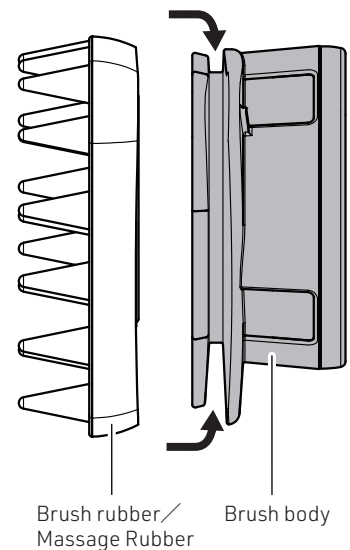
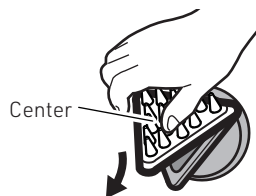
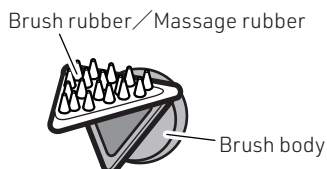
Replacement of Consumable Items

Brush rubber / Massage rubber

Insert the Brush rubber/Massage rubber into the protruding area on the Brush body all the way around.

【Key point】

Starting from one corner, fit the sides into place, and once two corners are in place, fit the centre area into place before fitting the last corner.

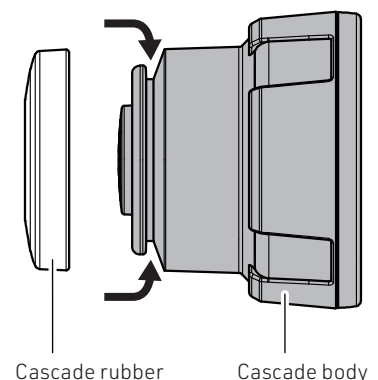


※The Brush rubber and Massage rubber are consumable items (charges apply). If you need replacement parts, contact your local authorised Takara Belmont dealer.

Cascade rubber

Insert the Cascade rubber into the protruding area on the Cascade body all the way around.

The Cascade rubber is a consumable item (charge applies). If you need replacement parts, contact your local authorised Takara Belmont dealer.

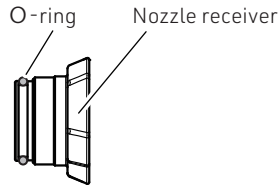


Consumable Items

Nozzle receiver/O-ring

Disassemble the Whirlpool type and replace the nozzle receiver and O-ring. [Refer to page 18.]

※The nozzle receiver and O-ring are consumable items (charges apply). If you need replacement parts, contact your local authorised Takara Belmont dealer.

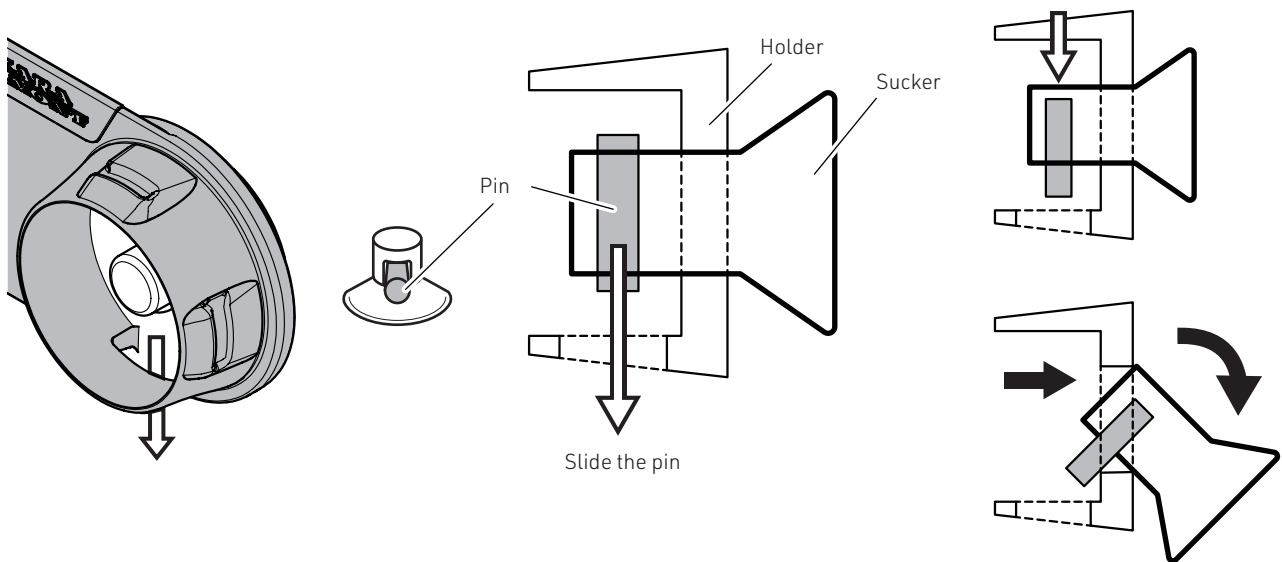


Sucker

Slide the pin and remove the sucker attached to the holder. Push the tip of the pin into the sucker until it is hidden inside, then pull it out while tilting the sucker.

※Be careful not to lose the pin, as it will be reused after the sucker is replaced.

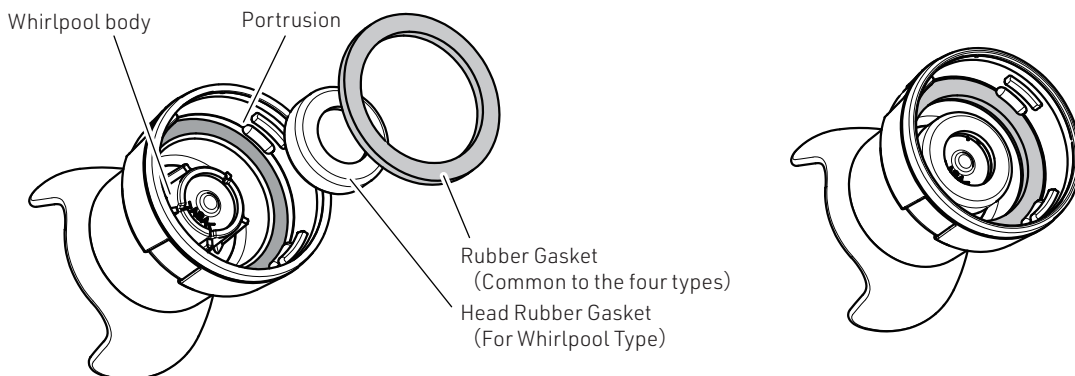
※The sucker is a consumable item (charge applies). If you need replacement parts, contact your local authorised Takara Belmont dealer.



Gasket (common)

Insert the gasket into the protrusion of each attachment.

※The gasket is a consumable item (charge applies). If you need replacement parts, contact your local authorised Takara Belmont dealer.



Standard Period of Use

- The standard period of use for this product is three years.
- Standard period of use is defined as “a guideline for the standard period of using the product without any problems in safety under standard conditions of product use with appropriate maintenance and inspection (including replacement of parts) performed.” Please be advised that this is not an indication of the guarantee period, and the standard period will differ depending on the environment (including water quality) and method in which you use the product. Please contact your local Takara Belmont dealer for maintenance after completion of the standard period of use.

Disposal of the Product

When disposing of the product or replaced parts, waste should be processed appropriately according to current laws and regulations in your country.

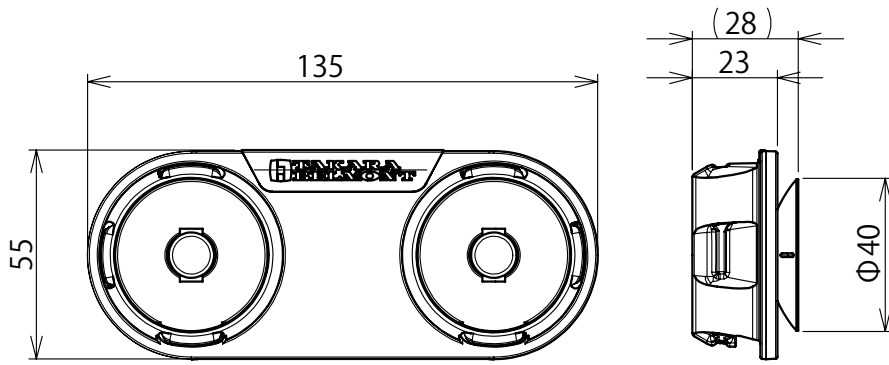
Specifications

Model number		AY-MSP-F AY-MSP-FSNS AY-MSP-FS
Outer dimension		Refer to the Product Dimension Diagram [page 25-26]
Working water pressure		0.1MPa to 0.4MPa
Recommended amount of water discharged	Whirlpool Type	Approximately 6.0 L/min
	Brush Type	14.5 L/min or less
	Cascade Type	11.5 L/min or less
	Massage Type	14.5 L/min or less ※If the water pressure is high, turn the tap to reduce the water flow before use.
Environment of use	Temperature	10°C to 30°C
	Humidity	90% or lower (without condensation)
Transport/storage environment	Temperature	-20°C to 70°C
	Humidity	90% or lower (without condensation)
Compatible products	Shampoo unit	<ul style="list-style-type: none"> • YUME • YUME DX • YUME ESPOIR • YUME SUITE • YUME NOBLE • YUME SWING • YUME NAGOMI (YUME IXI) • RS3(excluding US/CANADA) • MAJOLICA PORTO • THE ONE • YUME OASIS • W SWING YUME <p>【The YUME series includes the entire YUME II series.】</p>
Recommended amount of water discharged	Whirlpool Type	5.9 L/min when the water flow rate is 10 L/min in shower mode
	Brush Type	9.9 L/min when the water flow rate is 10 L/min in shower mode
	Cascade Type	7.4 L/min when the water flow rate is 7.5 L/min in low splash mode
	Massage Type	9.9 L/min when the water flow rate is 10 L/min in shower mode

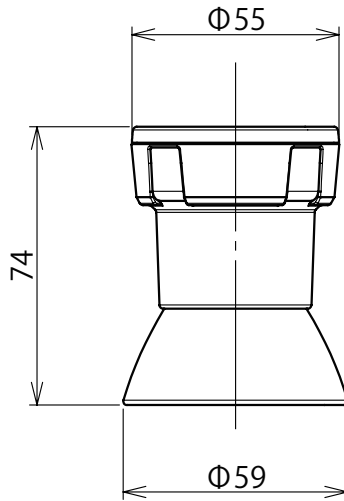
Product Dimension Diagram

Holder

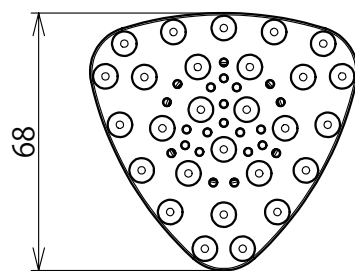
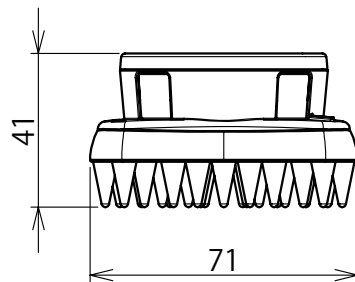
[Unit: mm]



Whirlpool Type



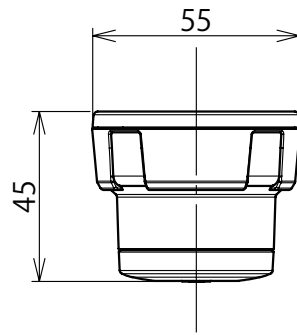
Brush Type



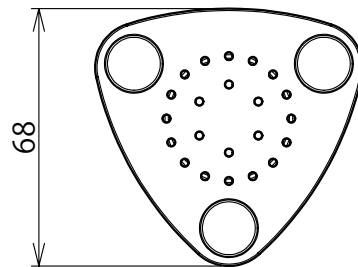
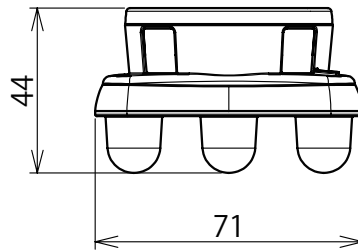
Product Dimension Diagram

Cascade Type

[Unit: mm]



Massage Type



MEMO



TAKARA BELMONT CORPORATION

1-1, 2-Chome, Higashi-shinsaibashi, Chuo-ku, Osaka, Japan

TEL : +81-6-6213-5945

FAX : +81-6-6212-3680

Printed in Japan