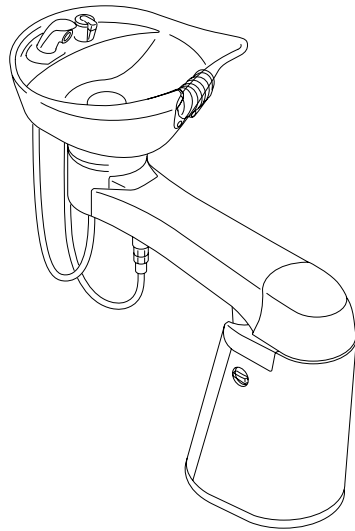


SHAMPOO UNIT

REAR SHAMPOO SWING



INSTALLATION AND OPERATING INSTRUCTIONS

IMPORTANT

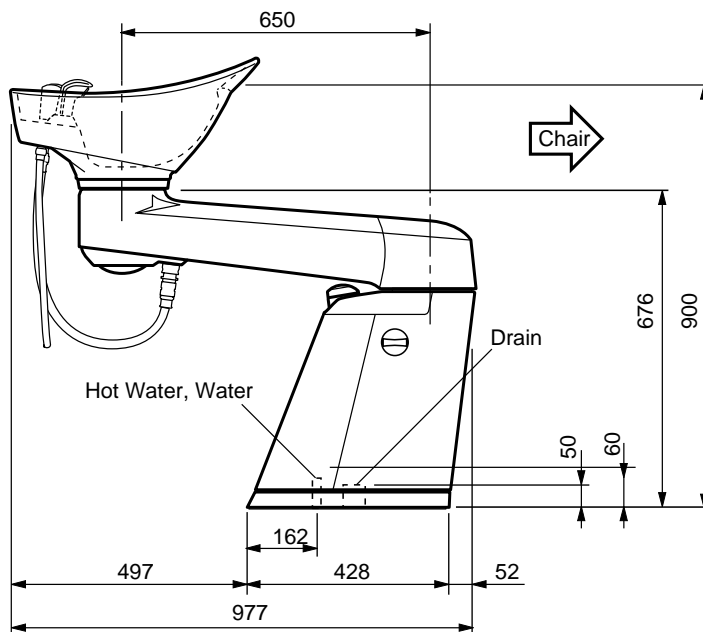
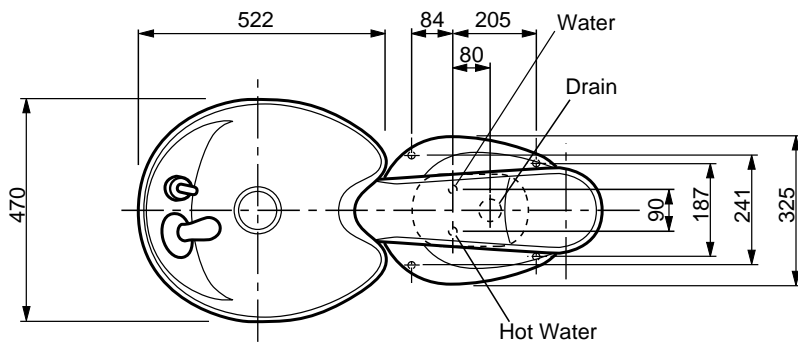
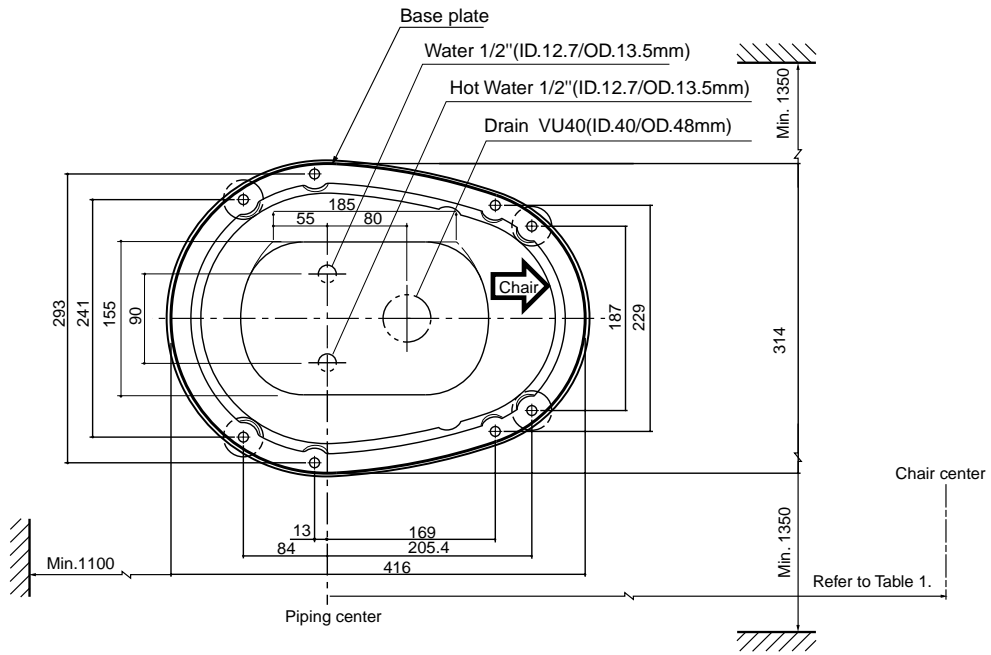
This manual provides information and instructions for Rear Shampoo Swing.

The instructions contained in this booklet should be thoroughly read and understood before attempting to install the equipment.

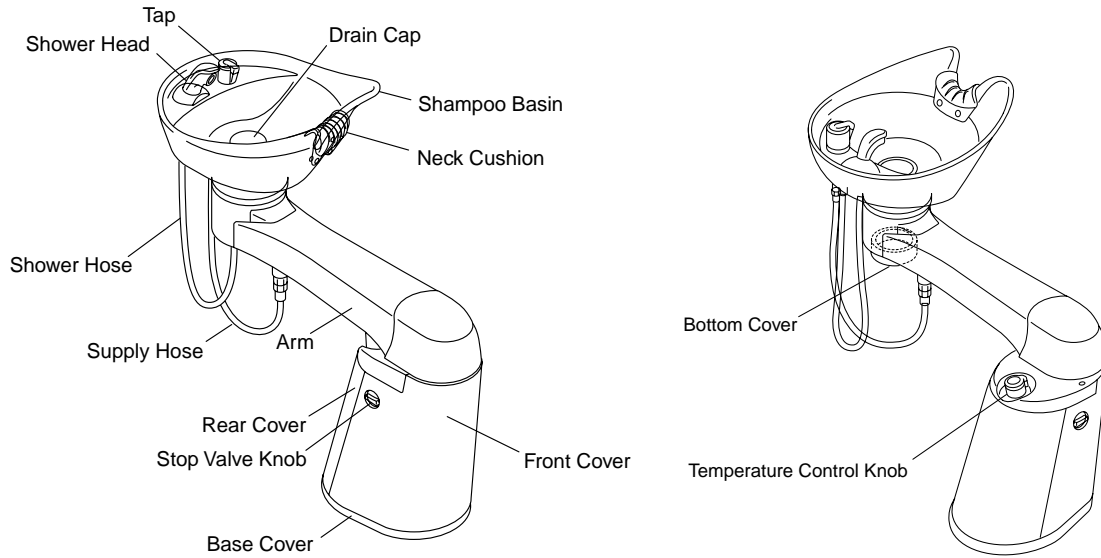
After the installation is completed, file this manual and refer back to it for operating manual and future maintenance.

 **TAKARA
BELMONT**

1. PLUMBING AND DIMENSIONS



2. OVERALL VIEW AND MAJOR COMPONENTS

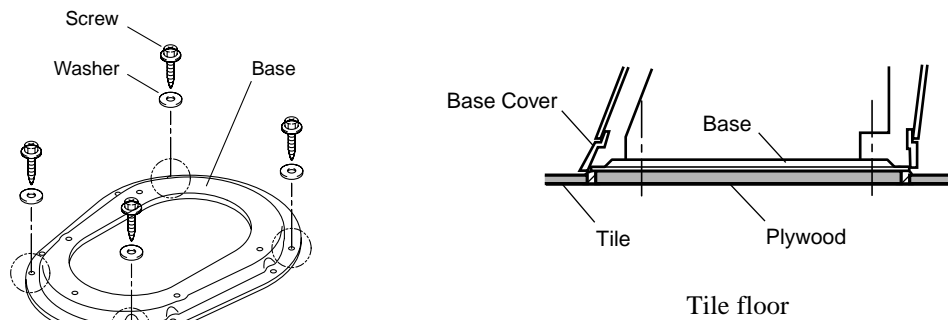


3. INSTALLATION INSTRUCTIONS

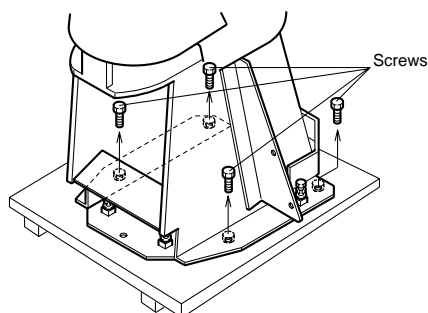
3-1. Installation for shampoo unit assembly.

- 1) Fix the base to the floor with four screws and washers.
 - a) Plywood floor ; Hex head tapping screw M8-60
 - b) Concrete floor ; Anchor bolt M8-70
 - c) Tile floor ; Remove the tile with template paper.

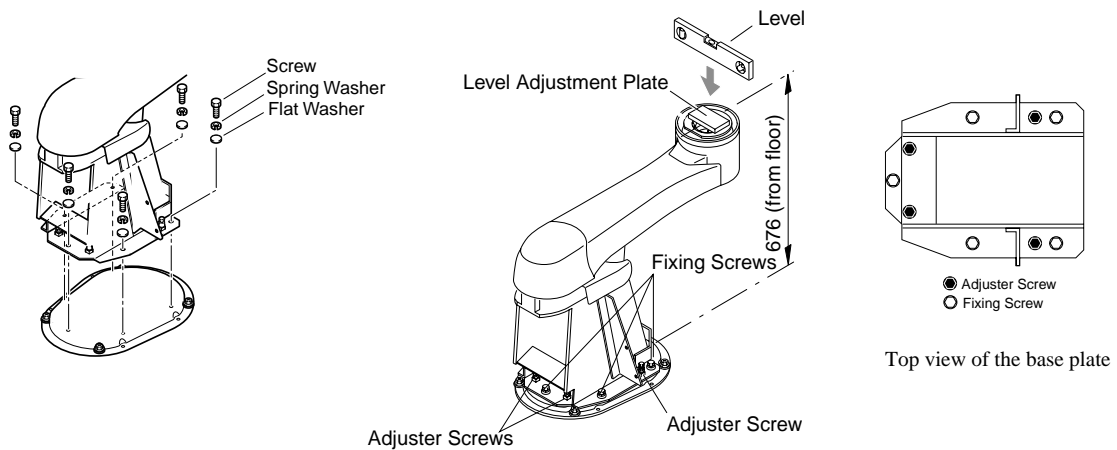
Put the plywood and fix the shampoo unit to the floor.



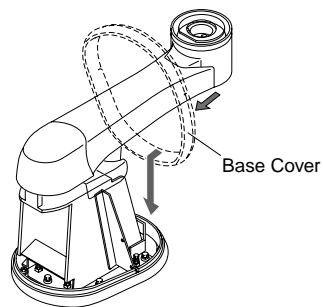
- 2) Remove four screws from the base plate of shampoo unit and remove the shampoo unit assembly from the pallet.



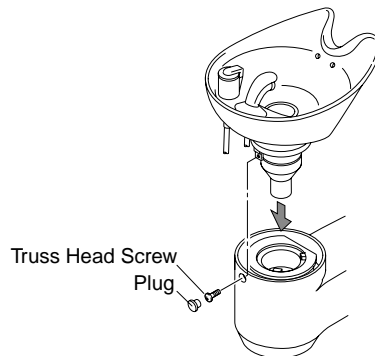
- 3) Fix the shampoo unit to the base with four screws, spring washers and flat washers.
- 4) Adjust the level with four adjuster screws on the base plate.



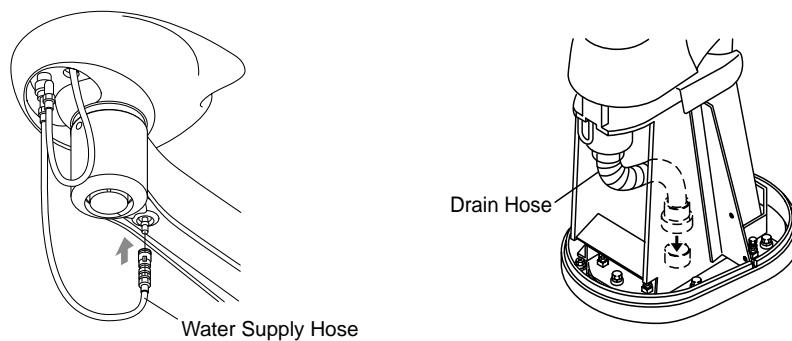
- 5) Attach the base cover on the base.



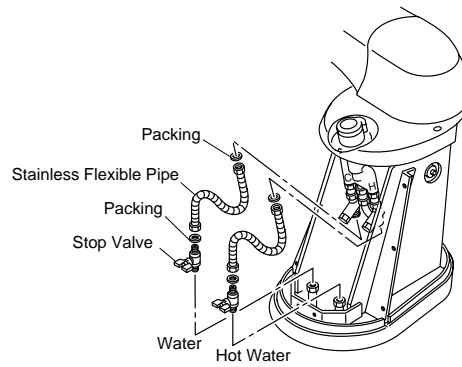
- 6) Attach the shampoo basin to the top of the arm and fix it with a truss screw and a plug.



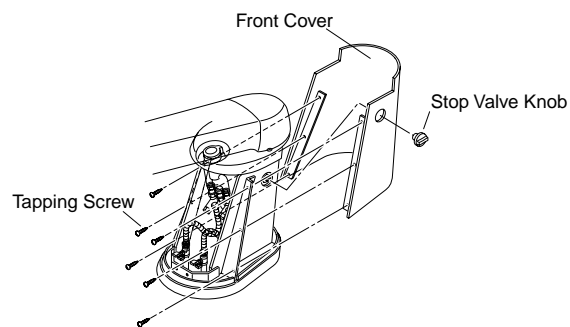
- 7) Connect the water supply hose and drain hose.



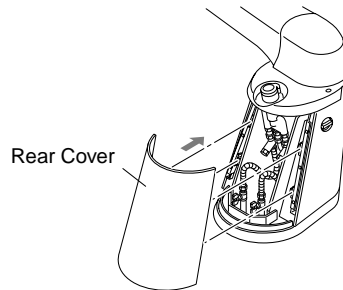
- 8) Bend each stainless flexible pipe at suitable angle for connection.
- 9) Connect the water and hot water lines with stainless flexible pipes.



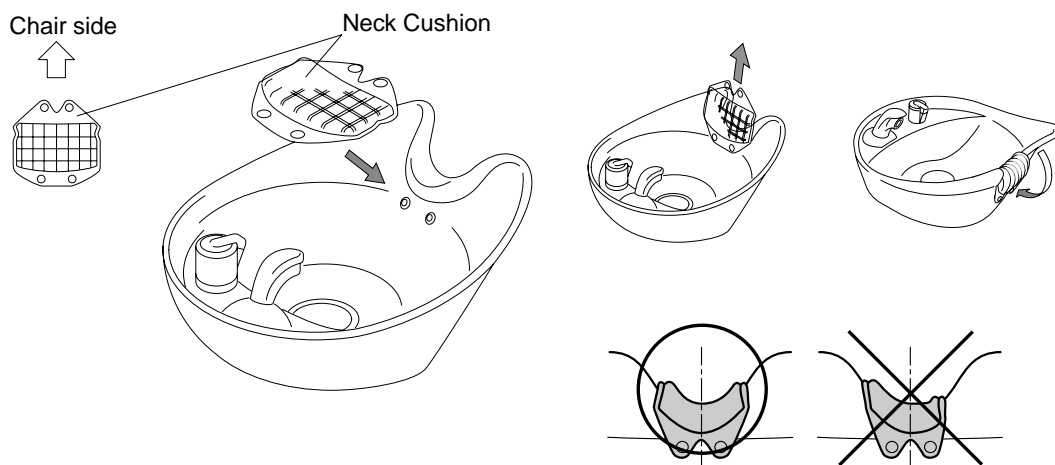
- 10) Fix the front cover to the shampoo unit body with six tapping screws.
- 11) Attach the stop valve knob.



- 12) Attach the rear cover to shampoo body.



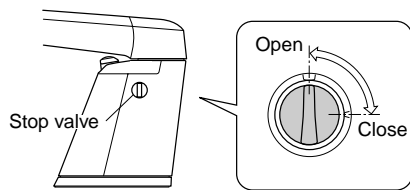
- 13) Attach the neck cushion to the shampoo basin.



4. OPERATING INSTRUCTIONS

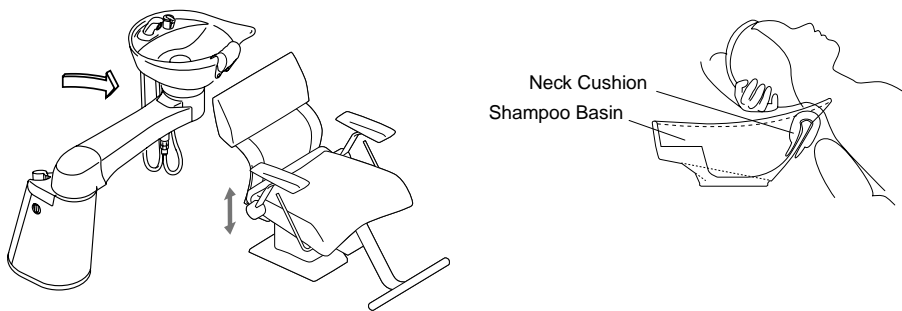
4-1. Positioning the unit.

- 1) Turn the stop valve knob to counterclockwise.



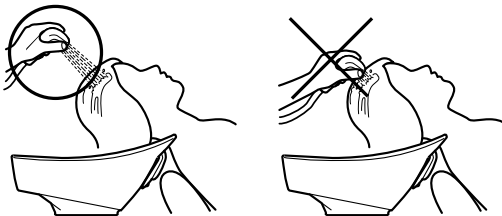
- 2) Set the client in the chair and swing the shampoo basin to the shampoo position.

- 3) Adjust the seat height and backrest angle to the suitable position.



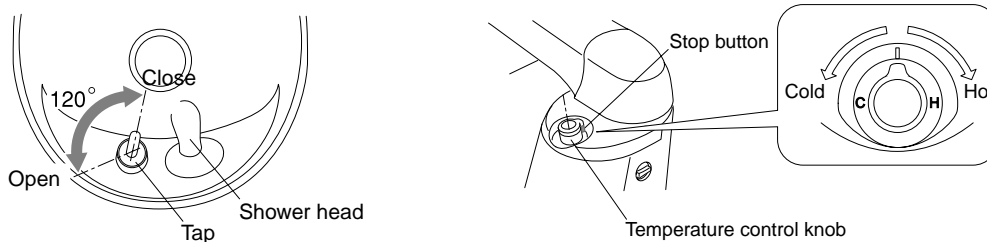
4-2. Positioning for the shower head.

- 1) Do not touch the client hair with the shower head.



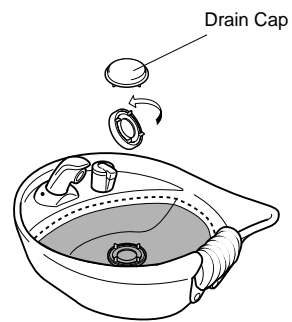
4-3. Adjusting the water temperature to increase.

- 1) Hold the shower head by hand.
- 2) Turn the tap to counterclockwise.
- 3) Press stop button on the temperature control knob to release lock for hot water, then turn clockwise.



4-4. How to keep the water / hot water in the shampoo basin.

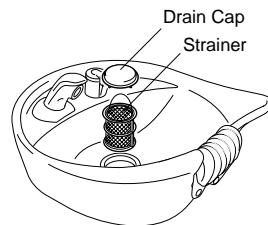
Turn the drain cap upside down.



5. Maintenance

5-1. Strainer

Take out the drain cap and strainer from shampoo basin and clean them.



5-2. Use dry and soft cloth to clean plastics, plated and painted surface.

Dump cloth with neutral detergent and wipe to remove stubborn stains and dirt.

Use only mild neutral detergent.

NOTE

TAKARA BELMONT CORPORATION

1-1, Higashi-shinsaibashi 2-Chome, Chuo-ku, Osaka, Japan

TEL. : (06) 6213-5945

FAX. : (06) 6212-3680

Printed in Japan F.Edition 020801