



ASSEMBLY MANUAL

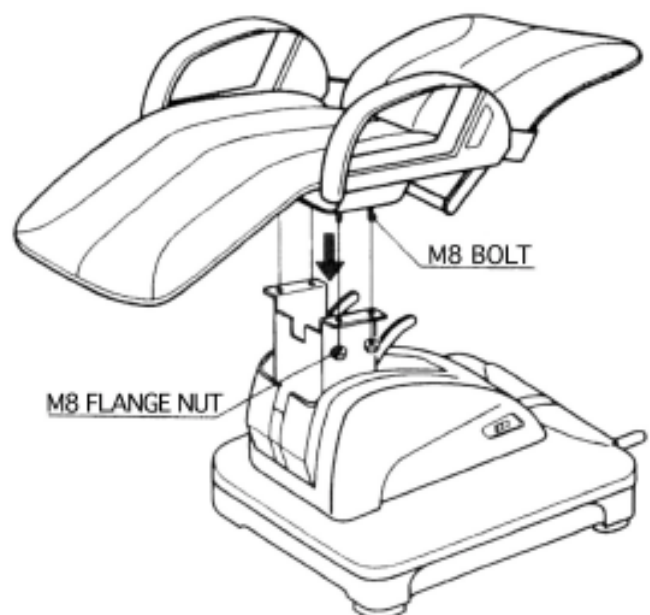
PUMP	TOP
SP-270	SU-270
	SU-271

The height of the base is already adjusted to the assembly job at the factory.

Please untie the 3P connector, which is tied to the chair top by elastic band.

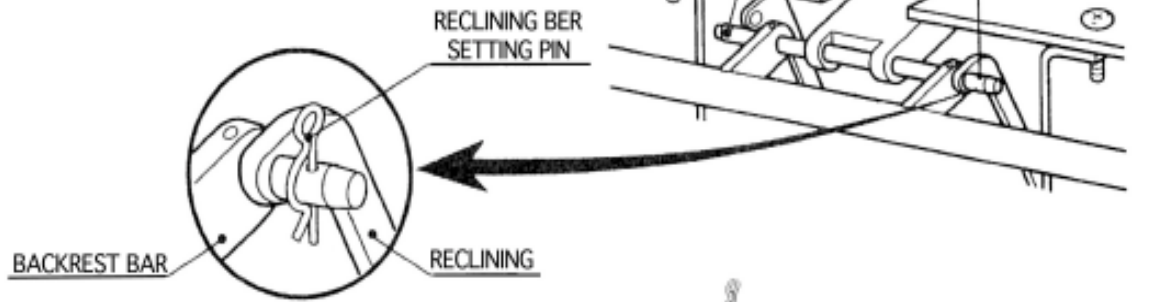
1

Insert 4 X M8 bolts, which are on the seat frame, into the frame and tight M8 flange nuts temporary. (Please do not fully tighten for this time.)

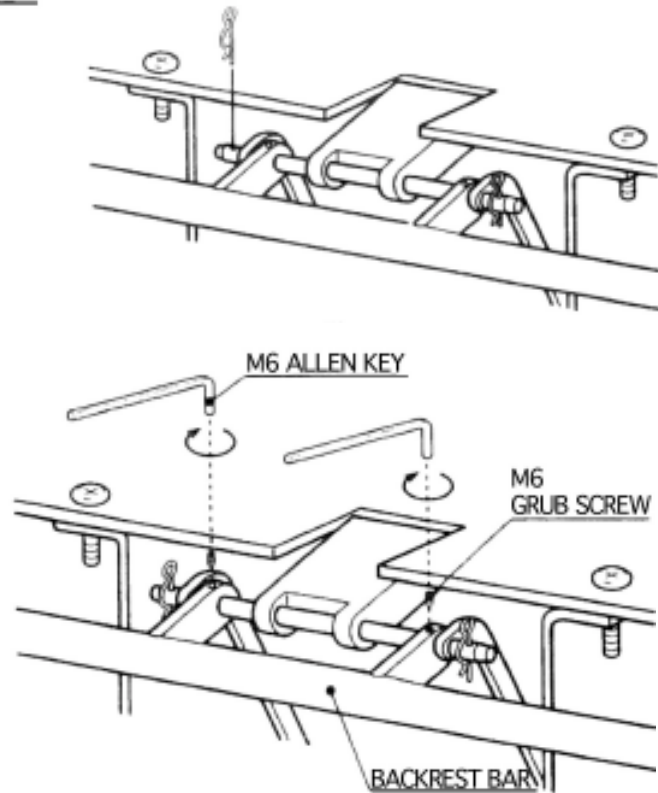


2

Put the pin for backrest bar through reclining arms on pump.



Insert the reclining bar setting pins into the pin for backrest and tighten the cap screws on the backrest bar.



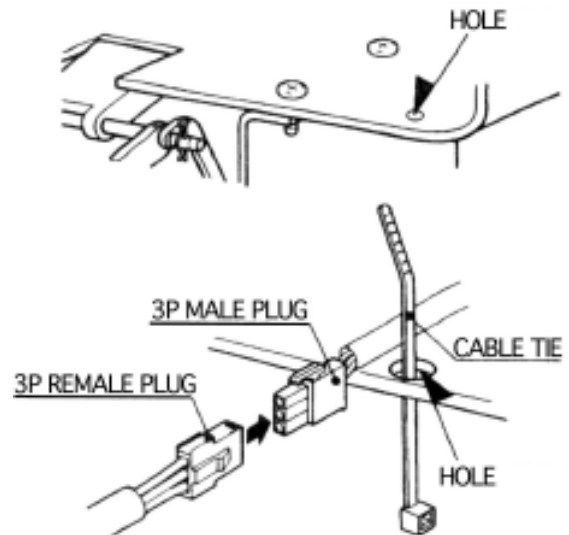
3

Tighten 4 X M8 flange nuts fully.



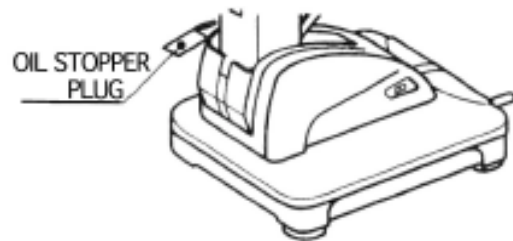
4

Connect the 3P connectors and strap the cable on the seat frame.



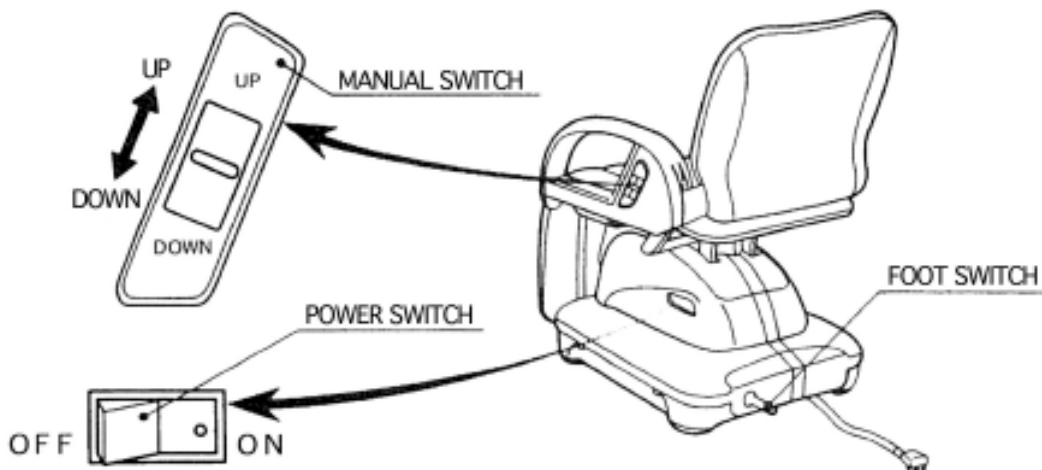
5

Unplug the oil stopper.

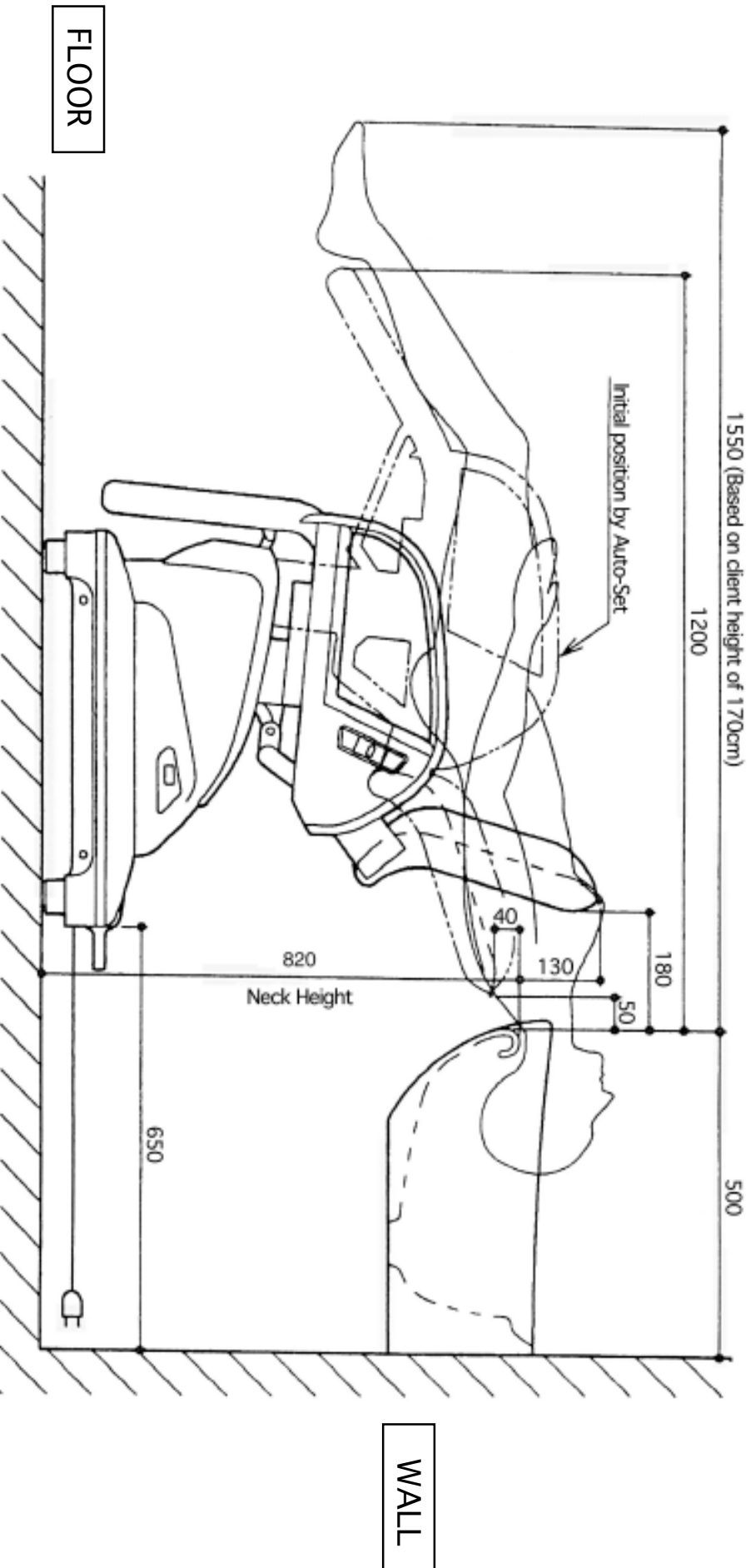


6

Plug in the power supply cable and turn the main switch on. Check every movement of the chair by using manual switches and footswitch.



SU-270 / SP-270 DIMENSION



We recommend to;

Locate the chair in the position where the distance between the backend of backrest and the neck contact point of the basin should be 180mm.

Adjust the height of the top of backrest to the height of the neck contact point plus 130mm by using the adjusters.

(The height of the adjusters is adjusted to the neck contact point's height of 820mm.)